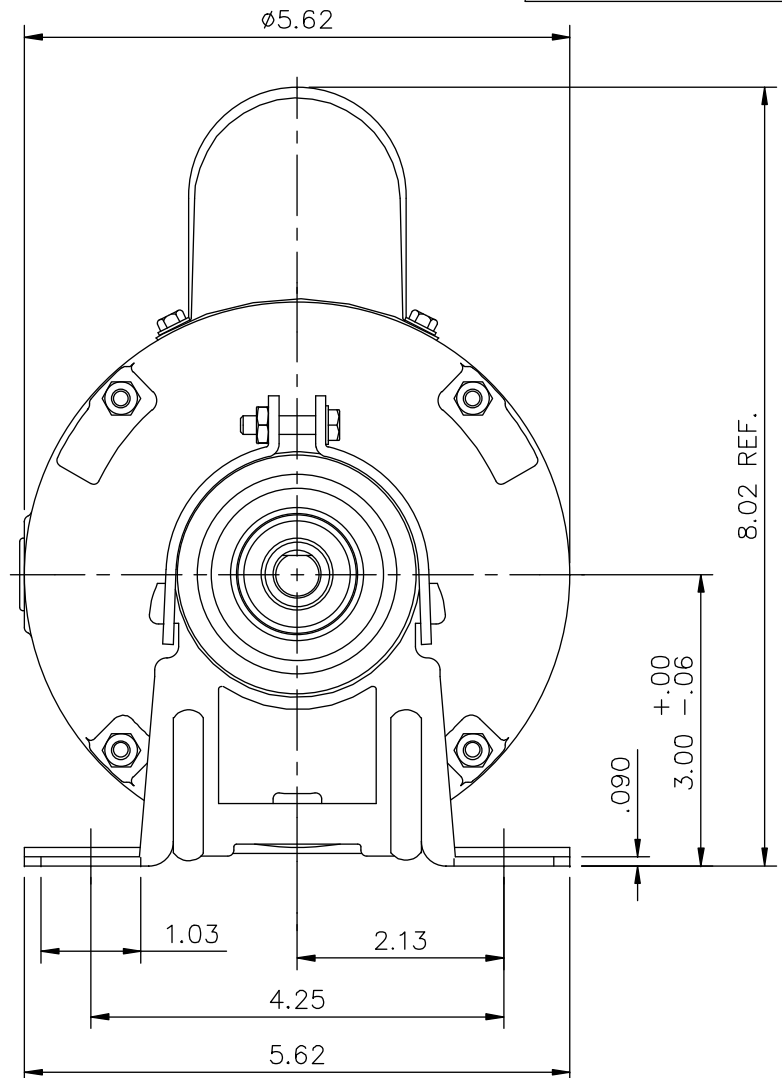
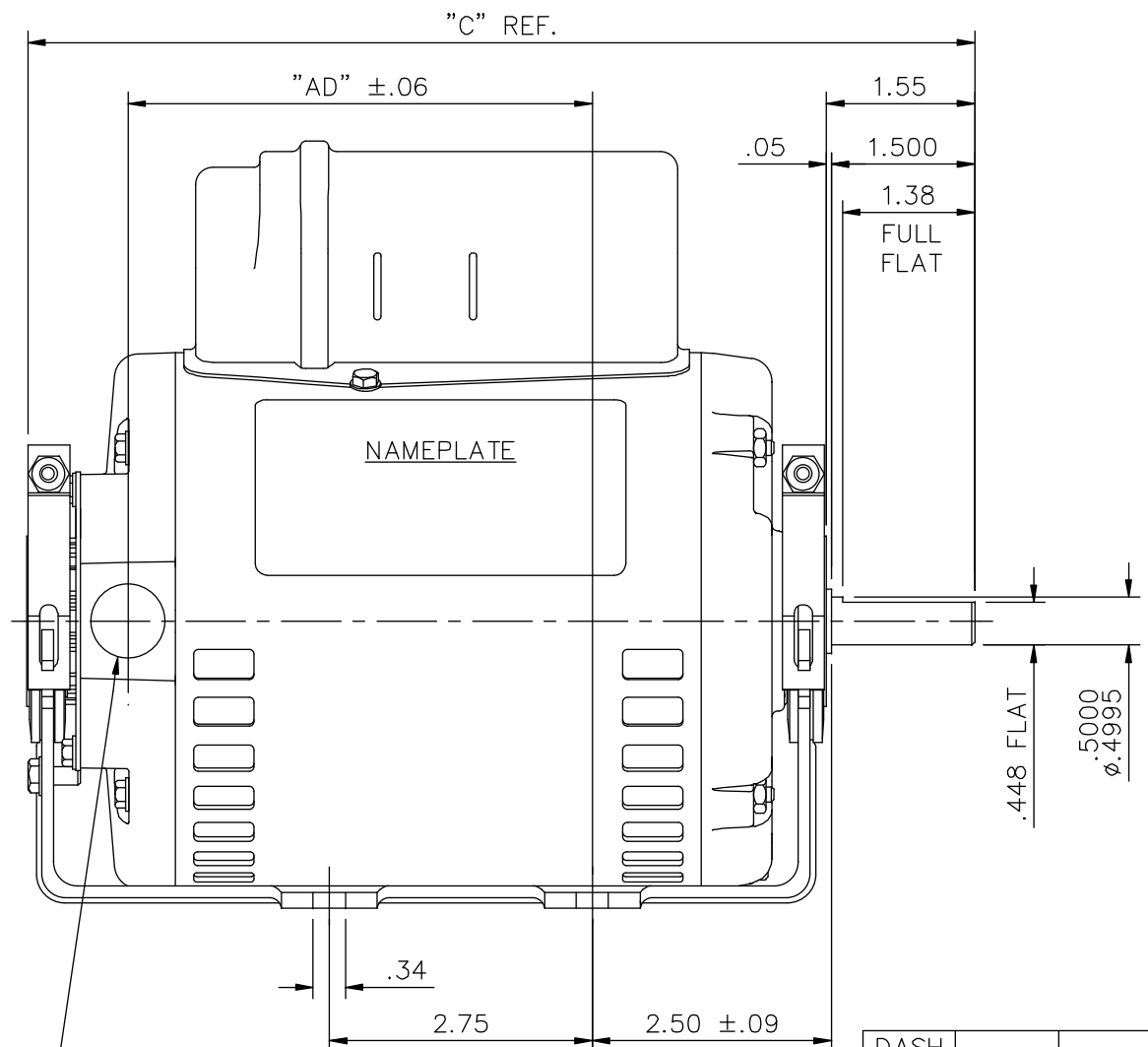


SS404049



1/2-14 NPT  
CONDUIT HOLE  
(PLUGGED)

DASH NO.	"C"	"AD"
550	9.89	4.84
575	10.14	5.09
600	10.39	5.34
650	10.89	5.84



ELECTRIC MOTORS  
GEARMOTORS  
AND DRIVES

DRAWN	PST 11/27/13
CHK	SM 11/27/13
APPD	
SCALE	1:1
REF	031760
FMF	A090602.00
PREV	

TITLE  
OUTLINE - 48 FRAME  
RESILIENT MOUNT - DRIP PROOF

MAT'L.  
1 PHASE

FINISH  
STANDARD

NO.	REVISION	BY & DATE	CHK	TOLERANCES UNLESS SPECIFIED		RFP	CAD FILE	SIZE	DRAWING NO.	REV.
				DEC.	INCHES					
				.X	±.1					
				.XX	±.03					
				.XXX	±.005					
				.XXXX	±.0005					
				ANG	±1/2'					
				DIST						

THIS DRAWING IN DESIGN AND DETAIL IS OUR PROPERTY AND MUST NOT BE USED EXCEPT IN CONNECTION WITH OUR WORK ALL RIGHTS OF DESIGN AND INVENTION ARE RESERVED THIS IS AN ELECTRONICALLY GENERATED DOCUMENT - DO NOT SCALE THIS PRINT