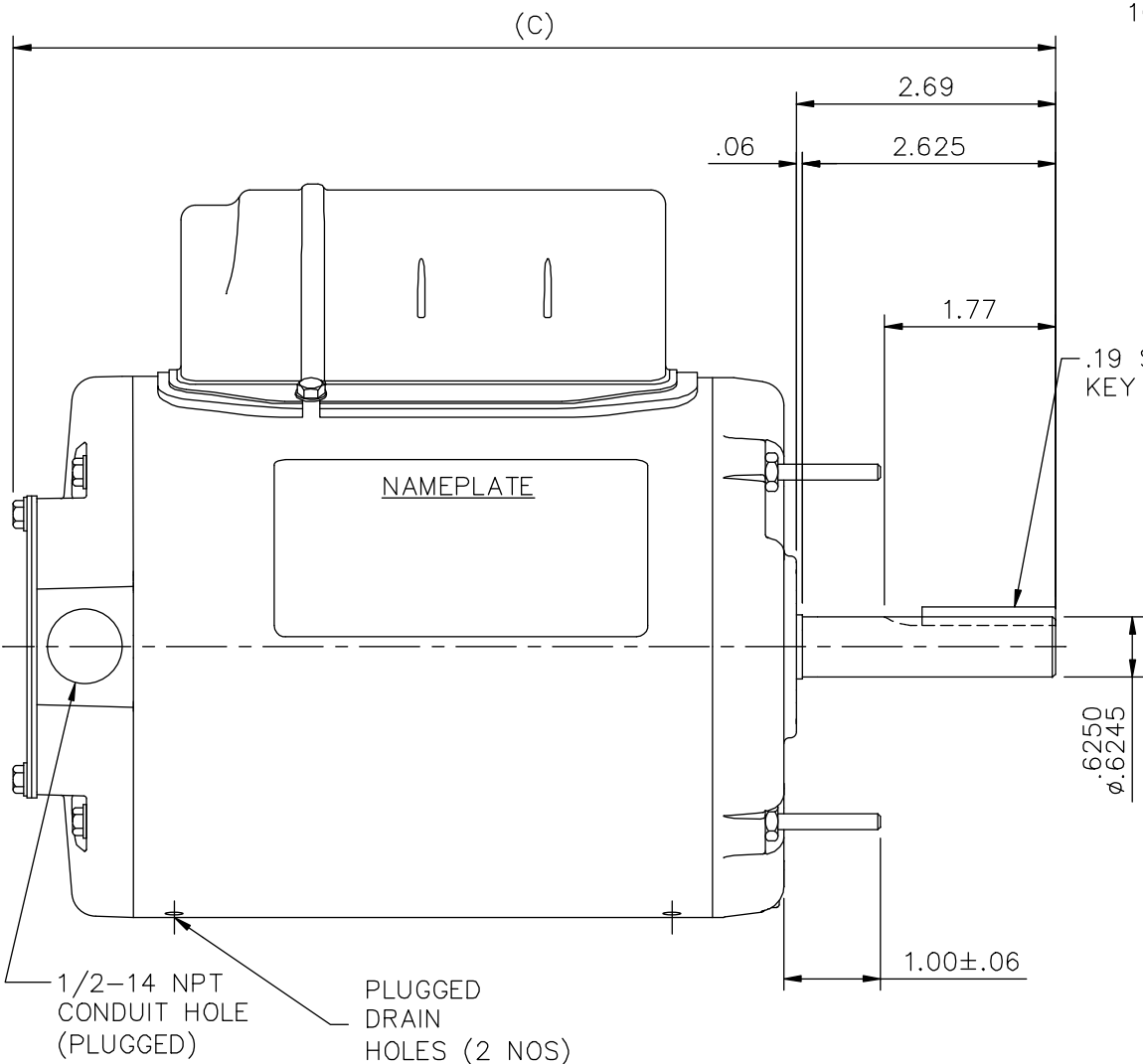
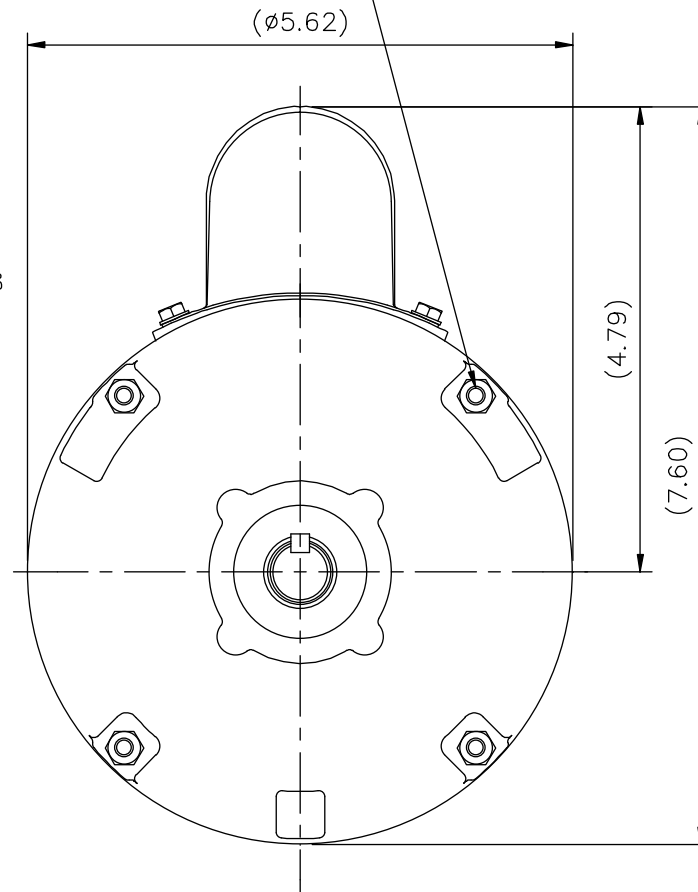



SS404024



10-32 UNF EXTENDED THRU BOLTS
(4) REQ'D. ON A Ø5.125 B.C.



DASH NO.	"C"
600	10.80

		TOLERANCES UNLESS SPECIFIED		 ELECTRIC MOTORS GEARMOTORS AND DRIVES	DRAWN KR 09/13/2013			
		DEC.	INCHES		CHK SM 09/13/2013			
		.X	±.1		TITLE OUTLINE - 48Y FRAME RIGID MOUNT - TENV	APPD	SCALE 1:1	
		.XX	±.03			REFOL103091/JLRSP-0062		
		.XXX	±.005			MAT'L.	FMF MU114710	
		.XXXX	±.0005	FINISH		PREV		
NO.	REVISION	BY & DATE	CHK	ANG	±1/2'			
THIS DRAWING IN DESIGN AND DETAIL IS OUR PROPERTY AND MUST NOT BE USED EXCEPT IN CONNECTION WITH OUR WORK ALL RIGHTS OF DESIGN AND INVENTION ARE RESERVED THIS IS AN ELECTRONICALLY GENERATED DOCUMENT - DO NOT SCALE THIS PRINT			RFP	CAD FILE	SS404024	SIZE A	DRAWING NO. SS404024	
			DIST	WP			REV.	