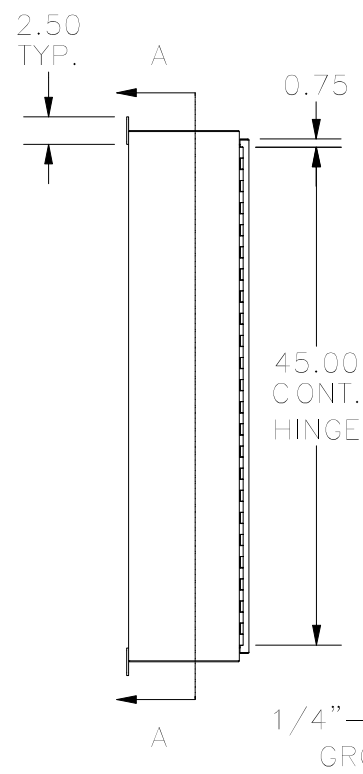
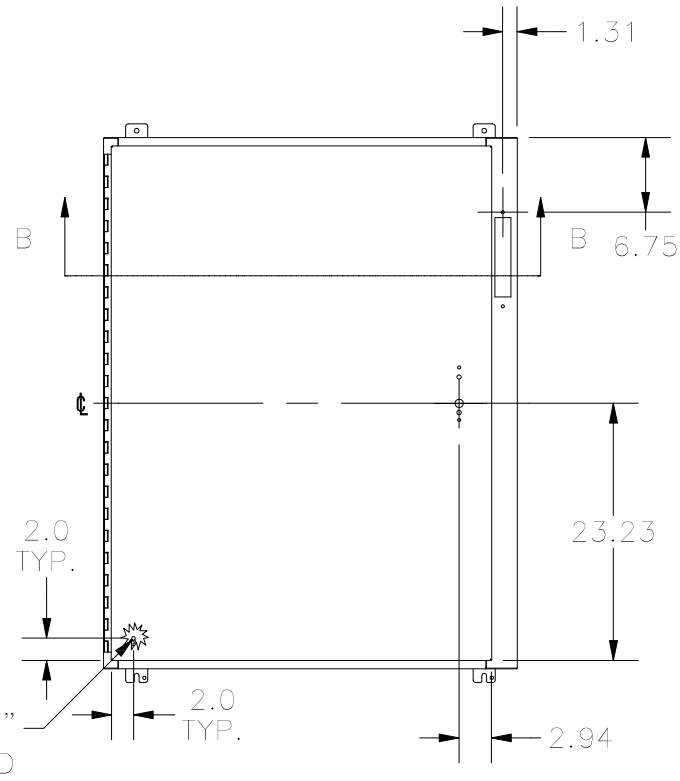


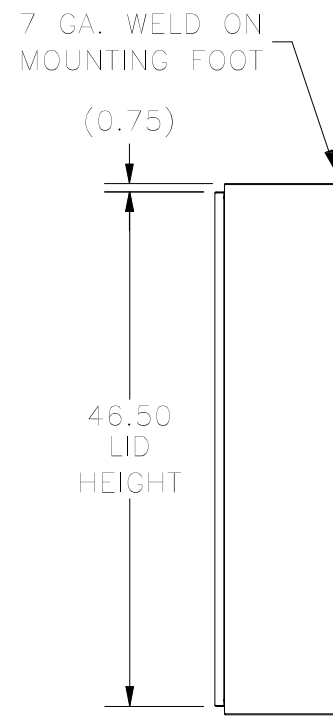
**TOP VIEW**



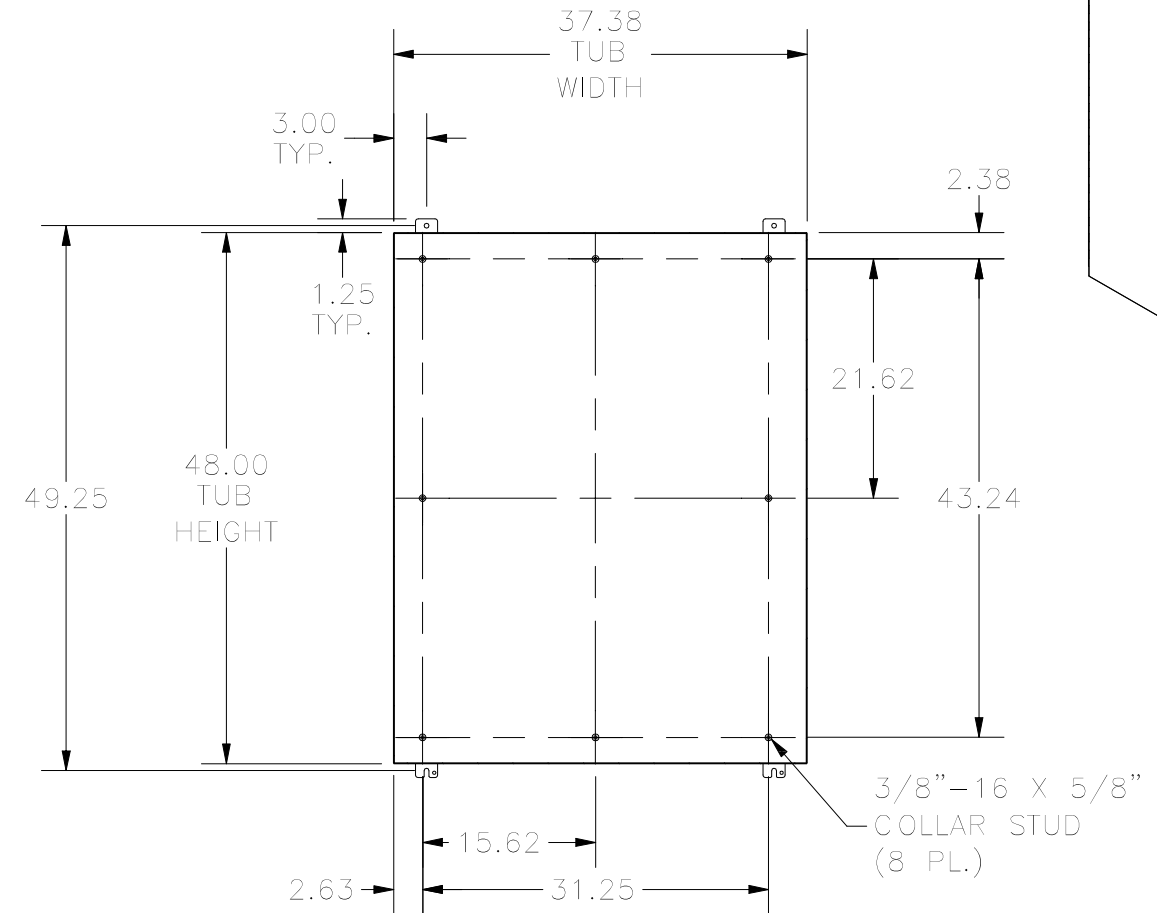
**LEFT SIDE VIEW**



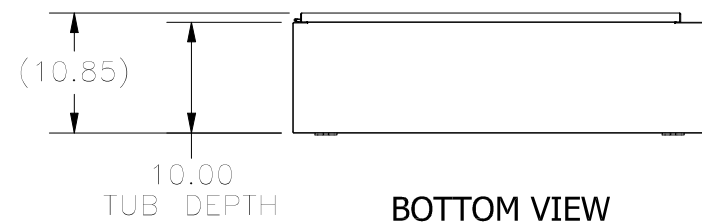
**FRONT VIEW**



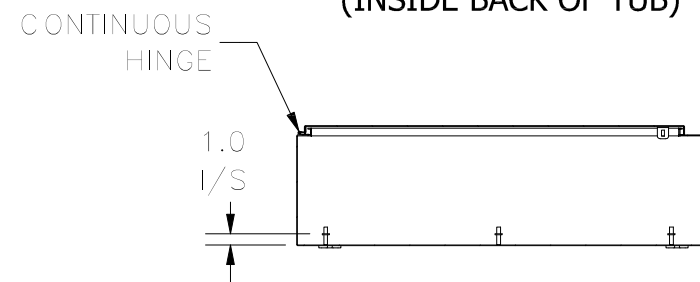
**RIGHT SIDE VIEW**



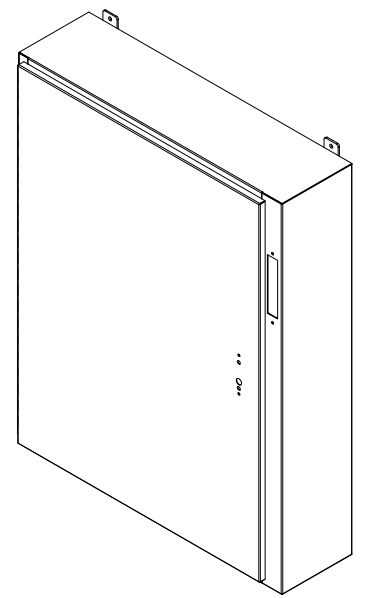
**SECTION A-A  
(INSIDE BACK OF TUB)**



**BOTTOM VIEW**



**SECTION B-B  
(INSIDE TOP OF ENCLOSURE)**



PART#: ABN12483710  
(DATA SUBJECT TO CHANGE WITHOUT NOTICE)

THIS DRAWING IS PROPERTY OF HUBBELL INC. WIEGMANN  
ALL INFORMATION IS PROPRIETARY AND NOT TO BE DUPLICATED