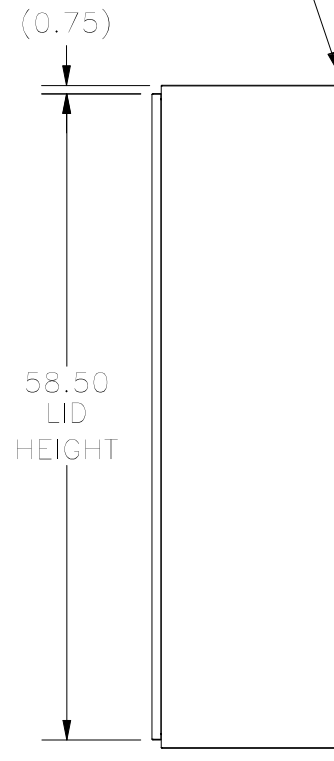
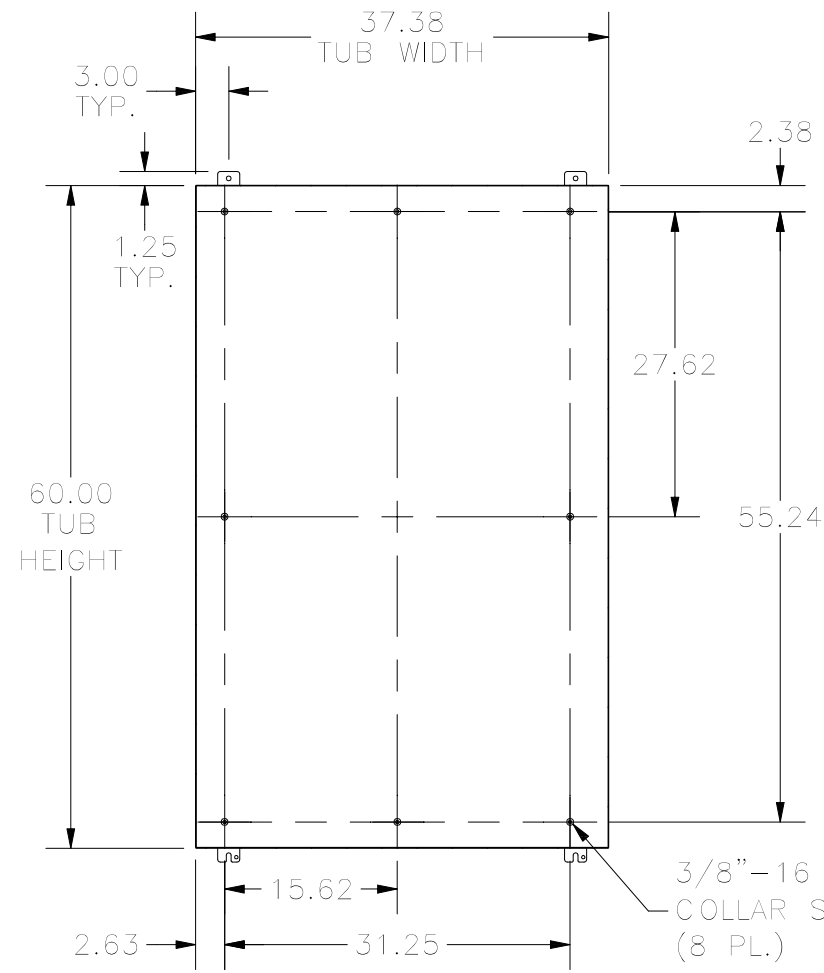


TOP VIEW

7 GA. MTG FT
WELD IN PLACE (4 PL.)

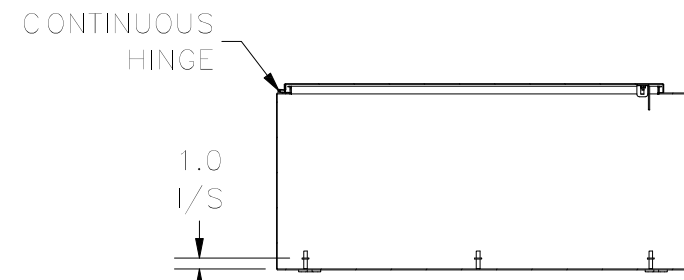


RIGHT SIDE VIEW

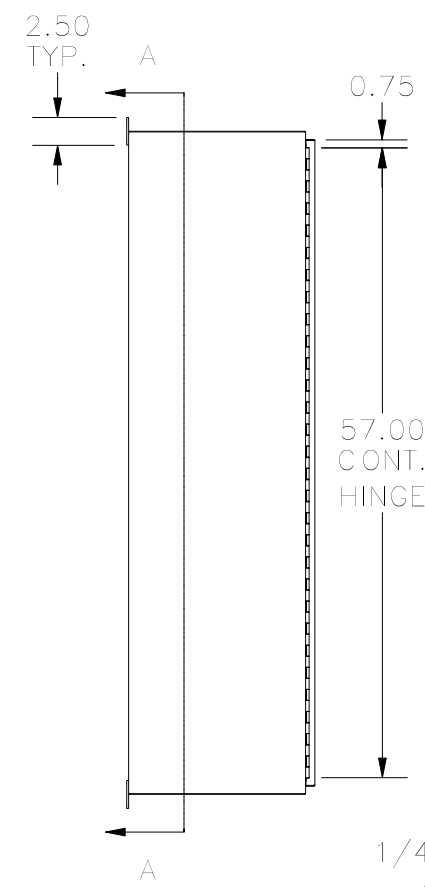
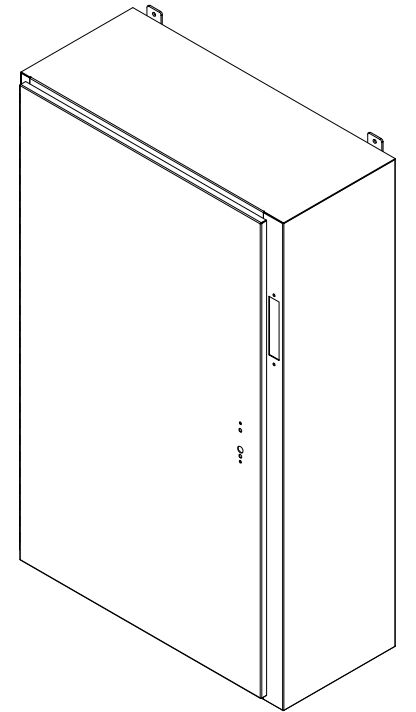


**SECTION A-A
(INSIDE BACK OF TUB)**

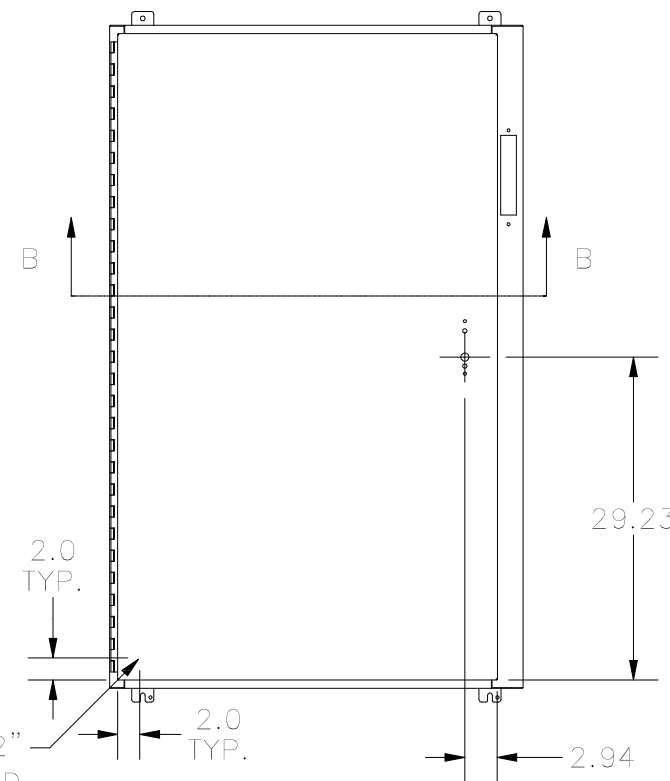
3/8"-16 X 5/8"
COLLAR STUD
(8 PL.)



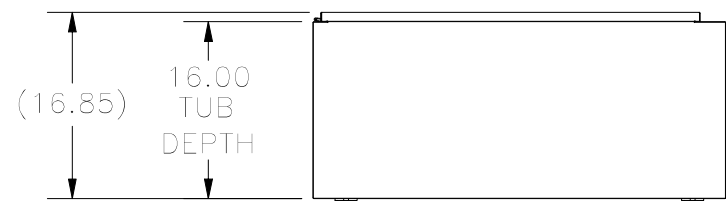
**SECTION B-B
(INSIDE TOP OF ENCLOSURE)**



LEFT SIDE VIEW



FRONT VIEW



BOTTOM VIEW

PART#: ABN12603816
(DATA SUBJECT TO CHANGE WITHOUT NOTICE)

THIS DRAWING IS PROPERTY OF HUBBELL INC. WIEGMANN
ALL INFORMATION IS PROPRIETARY AND NOT TO BE DUPLICATED