

**BALDOR® • RELIANCE** 

**Product Information Packet**

**AEM3686-4**

**1.5HP, 1760RPM, 3PH, 60HZ, 184, 0626M, TEFC, F1**

Part Detail							
Revision:	E	Status:	PRD/A	Change #:		Proprietary:	No
Type:	AC	Elec. Spec:	06WGY443	CD Diagram:	CD0006	Mfg Plant:	
Mech. Spec:	06F062	Layout:	06LYF062	Poles:	04	Created Date:	02-23-2015
Base:	RG	Eff. Date:	12-07-2016	Leads:	3#16		

Specs			
Catalog Number:	AEM3686-4	Inverter Code:	Inverter Ready
Enclosure:	TEFC	KVA Code:	L
Frame:	184	Lifting Lugs:	Standard Lifting Lugs
Frame Material:	Iron	Locked Bearing Indicator:	No Locked Bearing
Output @ Frequency:	1.500 HP @ 60 HZ	Motor Lead Quantity/Wire Size:	3 @ 16 AWG
Synchronous Speed @ Frequency:	1800 RPM @ 60 HZ	Motor Lead Exit:	Ko Box
Voltage @ Frequency:	460.0 V @ 60 HZ	Motor Lead Termination:	Flying Leads
XP Class and Group:	None	Motor Type:	0626M
XP Division:	Not Applicable	Mounting Arrangement:	F1
Agency Approvals:	UR	Power Factor:	74
	CSA	Product Family:	Automotive (Not For DC)
Auxillary Box:	No Auxillary Box	Pulley End Bearing Type:	Ball
Auxillary Box Lead Termination:	None	Pulley Face Code:	Standard
Base Indicator:	Rigid	Pulley Shaft Indicator:	Standard
Bearing Grease Type:	Polyrex EM (-20F +300F)	Rodent Screen:	None
Blower:	None	Shaft Extension Location:	Pulley End
Current @ Voltage:	2.100 A @ 460.0 V	Shaft Ground Indicator:	No Shaft Grounding
Design Code:	B	Shaft Rotation:	Reversible

<b>Drip Cover:</b>	No Drip Cover	<b>Shaft Slinger Indicator:</b>	No Slinger
<b>Duty Rating:</b>	CONT	<b>Speed Code:</b>	Single Speed
<b>Electrically Isolated Bearing:</b>	Not Electrically Isolated	<b>Motor Standards:</b>	NEMA
<b>Feedback Device:</b>	NO FEEDBACK	<b>Starting Method:</b>	Direct on line
<b>Front Face Code:</b>	Standard	<b>Thermal Device - Bearing:</b>	NONE (OLD)
<b>Front Shaft Indicator:</b>	None	<b>Thermal Device - Winding:</b>	None
<b>Heater Indicator:</b>	No Heater	<b>Vibration Sensor Indicator:</b>	No Vibration Sensor
<b>Insulation Class:</b>	F	<b>Winding Thermal 1:</b>	None
		<b>Winding Thermal 2:</b>	None

Nameplate NP1404E	
CAT.NO.	AEM3686-4
SPEC.	06F062Y443G1
VOLTS	460
AMP	2.1
RPM	1760
	HP 1.5
FRAME	184
	HZ 60
	PH 3
SER.F.	1.00
	CODE L
	DES B
	CL F
NEMA-NOM-EFF	87.5
	PF 74
G.MIN.EFF	86.5
	CC 010A
RATING	65C AMB-CONT
LUBRICATION	POLYREX EM
DE	6206
	ODE 6205
ENCL	TEFC
	SER. #

Parts List		
Part Number	Description	Quantity
SA294372	SA 06F062Y443G1	1.000 EA
RA280452	RA 06F062Y443G1	1.000 EA
36FN3000C01SP	EXFN, PLASTIC, 5.25 OD, .912 ID	1.000 EA
HW3201A05	3/8-16 EYEBOLT	1.000 EA
06CB1000A02	CONDUIT BOX, MACH, W/.75 PIPE TAP & #18	1.000 EA
RM1016	LEAD SEPARATOR GASKET - 305/306 C.P.MOTO	1.000 EA
51XW2520A12	SCREW, HEX SER SLT HD, ZN, 1/4-20 X .75	2.000 EA
11XW1032G06	10-32 X .38, TAPTITE II, HEX WSHR SLTD U	1.000 EA
HW3001B01	BRASS CUP WASHER, FOR #10 SCREW	1.000 EA
36EP1101A51	FR ENDPLATE MACH, TEFC	1.000 EA
HW4500A19	1/4-28X1/4 SLOTTED PLUG F/S	2.000 EA
HA4054	SHORT T-DRAIN FITTING, .125" N.P.T.	1.000 EA
HW5100A05	WVY WSHR F/205 & 304 BRGS	1.000 EA
36EP1100A21	PU ENDPLATE MACH	1.000 EA
HW4500A20	1/8NPT SL PIPE PLUG	1.000 EA
HW4500A19	1/4-28X1/4 SLOTTED PLUG F/S	2.000 EA
HA3101A34	THRUBOLT- 1/4-20 X 10.375	4.000 EA
XY2520A12	1/4-20 HEX NUT, DIRECTIONAL SERRATIONS	4.000 EA
36FH4009A31	IEC FH W/GREASER & SPL NOTCH, W/ PRIMER	1.000 EA
51XW1032A06	10-32 X .38, TAPTITE II, HEX WSHR SLTD S	3.000 EA
06CB1500A01	CONDUIT BOX LID, MACH	1.000 EA
06GS1003	GASKET, KOBX LID, 1/8" THICK BLACK NEOPR	1.000 EA
10XN2520A12	O1/4-20X 3/4 HEX HEAD CAP	2.000 EA
HW1001A25	LOCKWASHER 1/4, ZINC PLT .493 OD, .255 I	2.000 EA

Parts List (continued)		
Part Number	Description	Quantity
HA1005A22	SLINGER, OD 2.00, ID 1.14, 206 BRG, GM	1.000 EA
HA1005A03SP	SLINGER, OD 1.750, ID .938, 205 BRG	1.000 EA
MJ5001A27	32220KN GRAY SEALER *MIN BUY 4 QTS=1GAL	0.001 QT
MJ5001A02	732 CL SEALANT 3 OZ DIXIE BEARING 289100	0.001 EA
MJ5001A14	DYNAPRO SEALANT, CP MTR VC#2508050 (603	0.001 EA
HW2501D13	KEY, 3/16 SQ X 1.375	1.000 EA
HA7000A01	KEY RETAINER 7/8" DIA SHAFT	1.000 EA
85XU0407S04	4X1/4 U DRIVE PIN STAINLESS	2.000 EA
LB1115N	LABEL,LIFTING DEVICE (ON ROLLS)	1.000 EA
WD1000B03	BURNDY YAV14 TERML (1M/PK)	3.000 EA
MJ1000A02	GREASE, POLYREX EM EXXON (USe 4824-15A)	0.050 LB
51XB1214A16	12-14X1.00 HXWSSLD SERTYB	1.000 EA
MG1025G02	WILKOFASST, 782.02, LIGHT GRAY	0.028 GA
LB1119N	WARNING LABEL	1.000 EA
LC0006	CONNECTION LABEL	1.000 EA
NP1404E	SS UL CSA CC "AUTOMOTIVE"	1.000 EA
36PA1001	PKG GRP, PRINT PK1017A06	1.000 EA
MN416A01	TAG-INSTAL-MAINT no wire (1200/bx) 5/18	1.000 EA

<b>Accessories</b>		
<b>Part Number</b>	<b>Description</b>	<b>Multiplier</b>
36-1037	C FACE KIT	A8

**AC Induction Motor Performance Data**

Record # 49367 - Typical performance - not guaranteed values

<b>Winding:</b> 06WGY443-R001	<b>Type:</b> 0626M	<b>Enclosure:</b> TEFC
-------------------------------	--------------------	------------------------

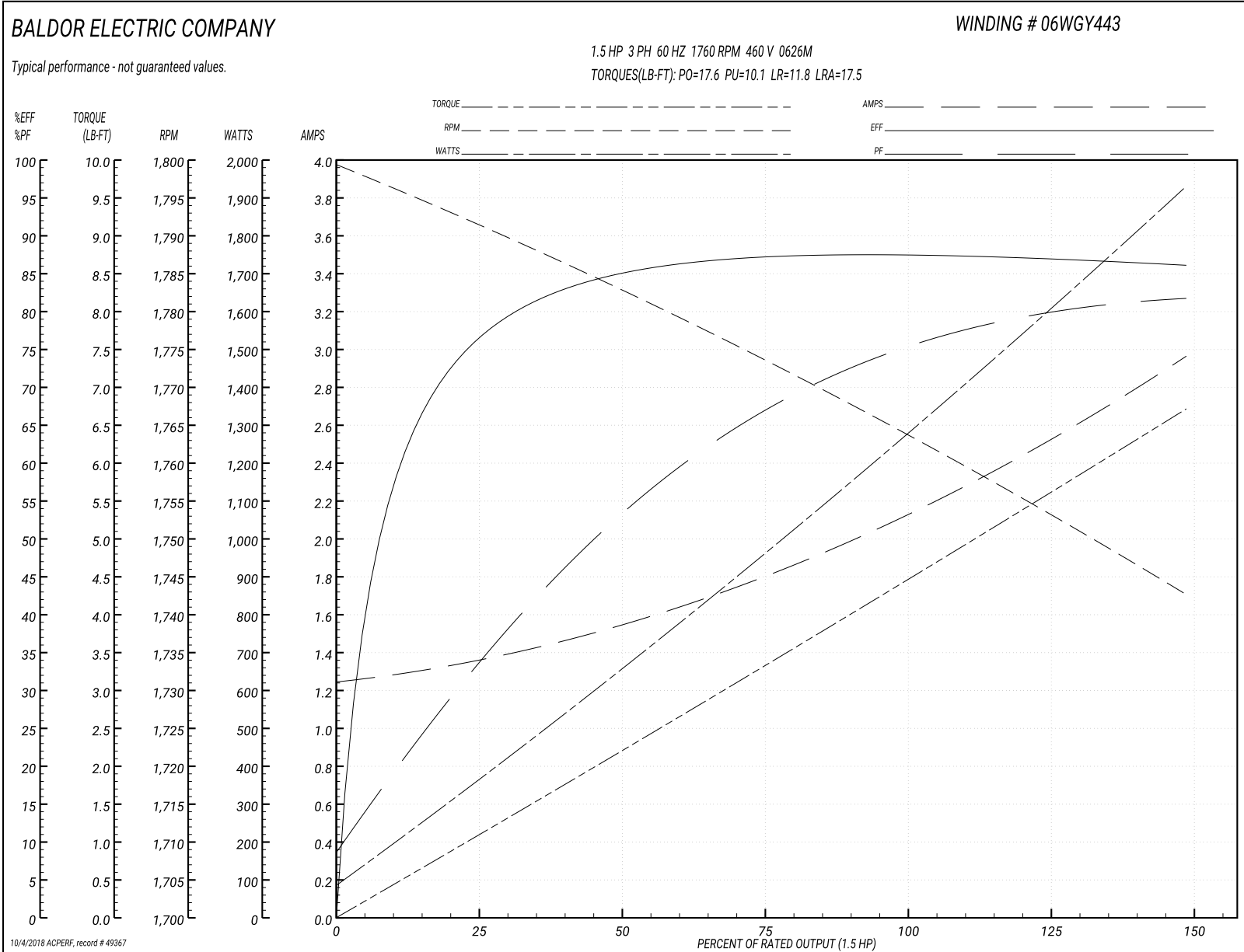
Nameplate Data				460 V, 60 Hz: Single Voltage Motor	
Rated Output (HP)	1.5			Full Load Torque	4.44 LB-FT
Volts	460			Start Configuration	direct on line
Full Load Amps	2.1			Breakdown Torque	17.6 LB-FT
R.P.M.	1760			Pull-up Torque	10.1 LB-FT
Hz	60	Phase	3	Locked-rotor Torque	11.8 LB-FT
NEMA Design Code	B	KVA Code	L	Starting Current	17.5 A
Service Factor (S.F.)	1			No-load Current	1.26 A
NEMA Nom. Eff.	87.5	Power Factor	74	Line-line Res. @ 25°C	9.18 Ω
Rating - Duty	65C AMB-CONT			Temp. Rise @ Rated Load	22°C
				Locked-rotor Power Factor	47.5
				Rotor inertia	0.242 LB-FT <sup>2</sup>

Load Characteristics 460 V, 60 Hz, 1.5 HP

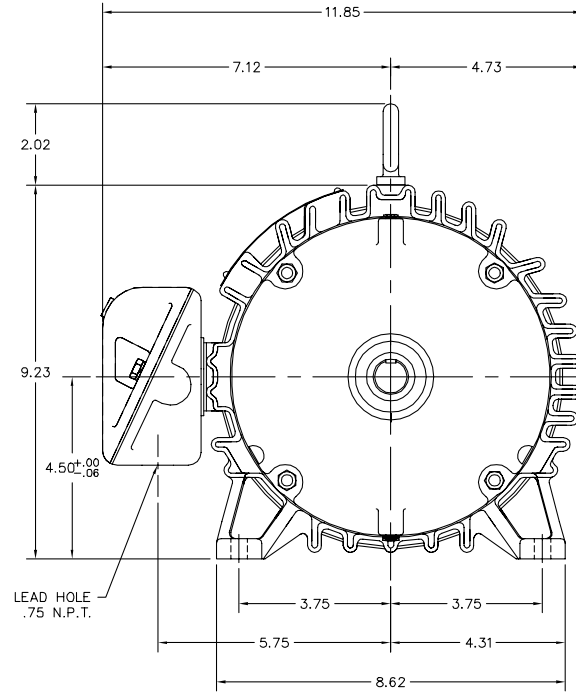
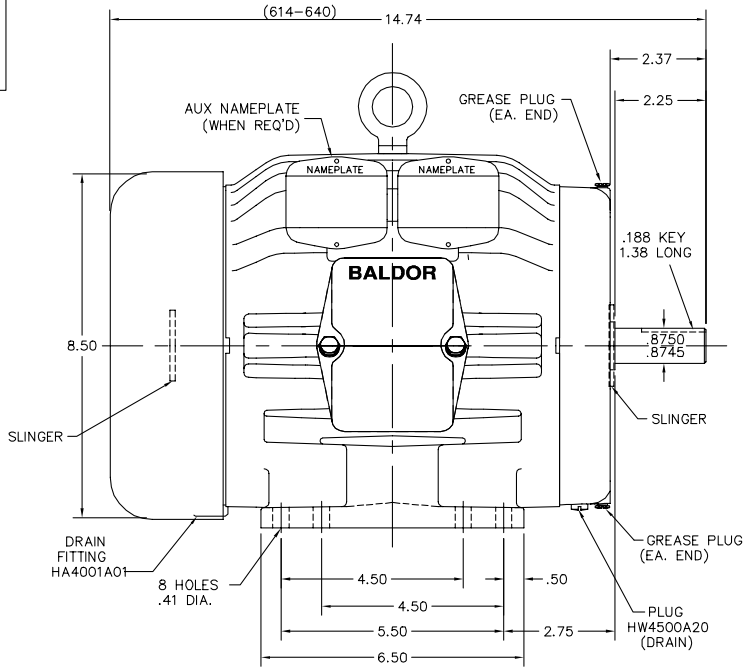
% of Rated Load	25	50	75	100	125	150
Power Factor	34	54	67	74	79	82
Efficiency	75.4	84.6	87.1	87.7	87.2	86
Speed	1791	1783	1773	1765	1754	1742
Line amperes	1.34	1.53	1.79	2.14	2.53	2.95



Performance Graph at 460V, 60Hz, 1.5HP Typical performance - Not guaranteed values



06LYF062



06LYF062

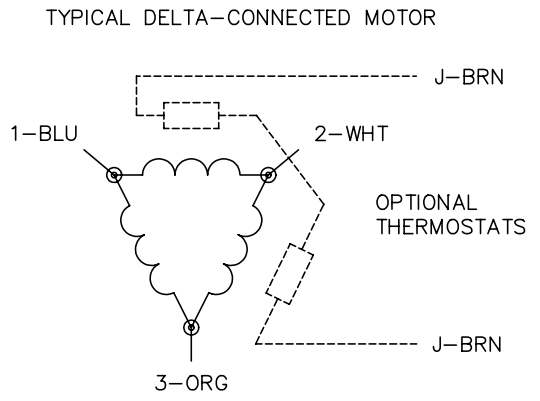
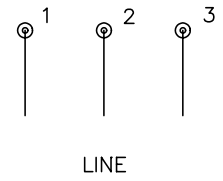
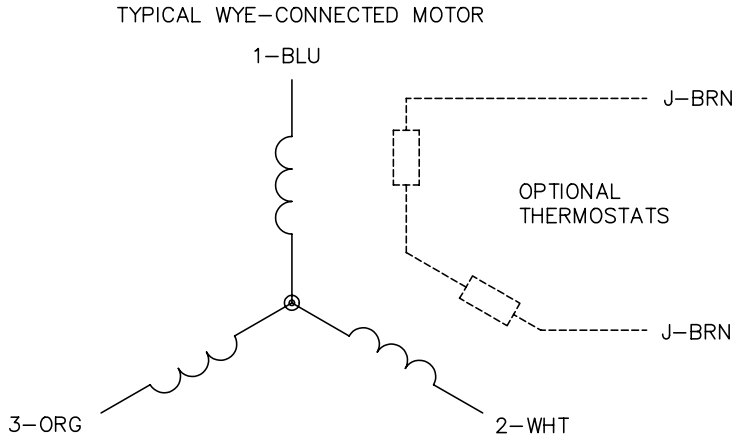
CUSTOMER IS RESPONSIBLE FOR DETERMINING THAT BALDOR'S PRODUCT WILL PERFORM SUITABLY IN THE INTENDED APPLICATION.

REV. DESC: ADD GRAPHICS FOR 2 AUX NAMEPLATE		
REV. LTR: G	VERSION: 03	TDR: 000001027344
FILE: \AAA\00008\084	REVISED: 03:07:55 05/05/2017	BY: USZAHAR
MTL: -		

**BALDOR**

SPL 182-184 TEFC HORZ 306M - AUTOMOTIVE SPEC  
SH 1 of 1

CD0006



- NOTES:
1. THREE LEAD MOTOR MAY BE EITHER WYE CONNECTED OR DELTA CONNECTED.
  2. INTERCHANGE ANY TWO LINE LEADS TO REVERSE ROTATION.
  3. OPTIONAL THERMOSTATS ARE PROVIDED WHEN SPECIFIED.
  4. ACTUAL NUMBER OF INTERNAL PARALLEL CIRCUITS MAY VARY.
  5. LEAD COLORS ARE OPTIONAL. LEADS MUST BE NUMBERED AS SHOWN.

REV. DESC: REVISE TO SHOW OPTIONAL COLORS			
REV. LTR: D	BY: JLP	REVISED: 01/21/99 4:02	TDR: 0171435
9000D		FILE: AAA00005141	MDL: -
		MTL: -	

**BALDOR ELECTRIC Co.**

3PH, SV, 3 LEADS, WYE OR DELTA CONNECTED

CD0006