

BALDOR® • RELIANCE 

Product Information Packet

AEM3783-4

3HP,1760RPM,3PH,60HZ,213,0728M,TEFC,F1

Part Detail							
Revision:	AV	Status:	PRD/A	Change #:		Proprietary:	No
Type:	AC	Elec. Spec:	07WG028	CD Diagram:	CD0006	Mfg Plant:	
Mech. Spec:	07G087	Layout:	07LYG087	Poles:	04	Created Date:	
Base:	RG	Eff. Date:	09-06-2018	Leads:	3#14		

Specs			
Catalog Number:	AEM3783-4	KVA Code:	-
Enclosure:	TEFC	Lifting Lugs:	Standard Lifting Lugs
Frame:	213	Locked Bearing Indicator:	No Locked Bearing
Frame Material:	Iron	Motor Lead Quantity/Wire Size:	3 @ 14 AWG
Output @ Frequency:	3.000 HP @ 60 HZ	Motor Lead Exit:	Ko Box
Synchronous Speed @ Frequency:	1800 RPM @ 60 HZ	Motor Lead Termination:	Flying Leads
Voltage @ Frequency:	460.0 V @ 60 HZ	Motor Type:	0728M
XP Class and Group:	None	Mounting Arrangement:	F1
XP Division:	Not Applicable	Power Factor:	83
Agency Approvals:	UR	Product Family:	Automotive (Not For DC)
	CSA	Pulley End Bearing Type:	Ball
Auxillary Box:	No Auxillary Box	Pulley Face Code:	Standard
Auxillary Box Lead Termination:	None	Pulley Shaft Indicator:	Standard
Base Indicator:	Rigid	Rodent Screen:	None
Bearing Grease Type:	Polyrex EM (-20F +300F)	RoHS Status:	ROHS COMPLIANT
Blower:	None	Shaft Extension Location:	Pulley End
Current @ Voltage:	3.900 A @ 460.0 V	Shaft Ground Indicator:	No Shaft Grounding
Design Code:	B	Shaft Rotation:	Reversible

Drip Cover:	No Drip Cover	Shaft Slinger Indicator:	No Slinger
Duty Rating:	CONT	Speed Code:	Single Speed
Electrically Isolated Bearing:	Not Electrically Isolated	Motor Standards:	NEMA
Feedback Device:	NO FEEDBACK	Starting Method:	Direct on line
Front Face Code:	Standard	Thermal Device - Bearing:	NONE (OLD)
Front Shaft Indicator:	None	Thermal Device - Winding:	None
Heater Indicator:	No Heater	Vibration Sensor Indicator:	No Vibration Sensor
Insulation Class:	F	Winding Thermal 1:	None
Inverter Code:	Not Inverter	Winding Thermal 2:	None

Nameplate NP1404E	
CAT.NO.	AEM3783-4
SPEC.	07G87X28
VOLTS	460
AMP	3.9
RPM	1760
HP	3
FRAME	213
HZ	60
PH	3
SER.F.	1.00
CODE	-
DES	B
CL	F
NEMA-NOM-EFF	89.5
PF	83
G.MIN.EFF	87.5
CC	010A
RATING	65C AMB-CONT
LUBRICATION	POLYREX EM
DE	6307
ODE	6206
ENCL	TEFC
SER. #	

Parts List		
Part Number	Description	Quantity
SA020743	SA 07G87X28	1.000 EA
RA016796	RA 07G87X28	1.000 EA
HW3201A05	3/8-16 EYEBOLT	1.000 EA
09CB1002A05	CONDUIT BOX, 1.00 N.P.T.	1.000 EA
07GS1000SP	GASKET, CONDUIT BOX, .125 THICK BLACK NE	1.000 EA
51XF2520A16	SCREW,HEX SER SLT HD,ZN 1/4-20X1.00LG TD	2.000 EA
11XW1032G06	10-32 X .38, TAPTITE II, HEX WSHR SLTD U	1.000 EA
HW3001B01	BRASS CUP WASHER, FOR #10 SCREW	1.000 EA
37EP1100A55	FR ENDPLATE MACH	1.000 EA
HW4500A19	1/4-28X1/4 SLOTTED PLUG F/S	1.000 EA
HW4500A20	1/8NPT SL PIPE PLUG	1.000 EA
HA4054	SHORT T-DRAIN FITTING, .125" N.P.T.	1.000 EA
HW5100A06	W2420-025 WVY WSHR (WB)	1.000 EA
37EP1101A28	PU ENDPLATE MACH	1.000 EA
HW4500A19	1/4-28X1/4 SLOTTED PLUG F/S	1.000 EA
HW4500A20	1/8NPT SL PIPE PLUG	1.000 EA
HA4054	SHORT T-DRAIN FITTING, .125" N.P.T.	1.000 EA
HA3104A32	THRUBOLT- 5/16-18 X12.750	4.000 EA
XY3118A12	5/16-18 HEX NUT DIRECTIONAL SERRATION	4.000 EA
51XB1214A20	12-14X1.25 HXWSSLD SERTYB	1.000 EA
07FH4007SP	PRIMED	1.000 EA
WD4100A03	DE-750 HEYCO PLUG 62MP0750 MICRO PLASTIC	1.000 EA
51XW1032A06	10-32 X .38, TAPTITE II, HEX WSHR SLTD S	3.000 EA
12CB1500A10	CONDUIT BOX LID, .31 MTG HOLES	1.000 EA

Parts List (continued)		
Part Number	Description	Quantity
12GS1002	GASKET, CONDUIT BOX LID, NEOP	1.000 EA
10XN2520A24	1/4-20X 1 1/2 HEX HD X	2.000 EA
HA1005A02	SLINGER, OD 2.00, ID 1.14, 206 BRG,	1.000 EA
HA1005A07	SLINGER, OD 2.25, ID 1.344, 307 BRG	1.000 EA
HW2501E18	KEY, 1/4 SQ X 2.000	1.000 EA
HA7000A02	KEY RETAINER RING, 1 1/8 DIA, 1 3/8 DIA	1.000 EA
MJ5001A27	32220KN GRAY SEALER *MIN BUY 4 QTS=1GAL	0.001 QT
LB1115N	LABEL,LIFTING DEVICE (ON ROLLS)	1.000 EA
85XU0407S04	4X1/4 U DRIVE PIN STAINLESS	2.000 EA
WD1000B03	BURNDY YAV14 TERML (1M/PK)	3.000 EA
MJ1000A02	GREASE, POLYREX EM EXXON (USe 4824-15A)	0.050 LB
37FN3002A01SP	EXFN, PLASTIC, 9.00 OD, 1.155 ID	1.000 EA
MG1025G02	WILKOFAS, 782.02, LIGHT GRAY	0.036 GA
LB1119N	WARNING LABEL	1.000 EA
NP1404E	SS UL CSA CC "AUTOMOTIVE"	1.000 EA
LC0006	CONNECTION LABEL	1.000 EA
07PA1011	PKG GRP, 07 CAST IRON PK1181	1.000 EA
10XL3808A28	3/8 X 1 3/4" LAG SCREW	2.000 EA
MN416A01	TAG-INSTAL-MAINT no wire (1200/bx) 5/18	1.000 EA

AC Induction Motor Performance Data

Record # 35548 - Typical performance - not guaranteed values

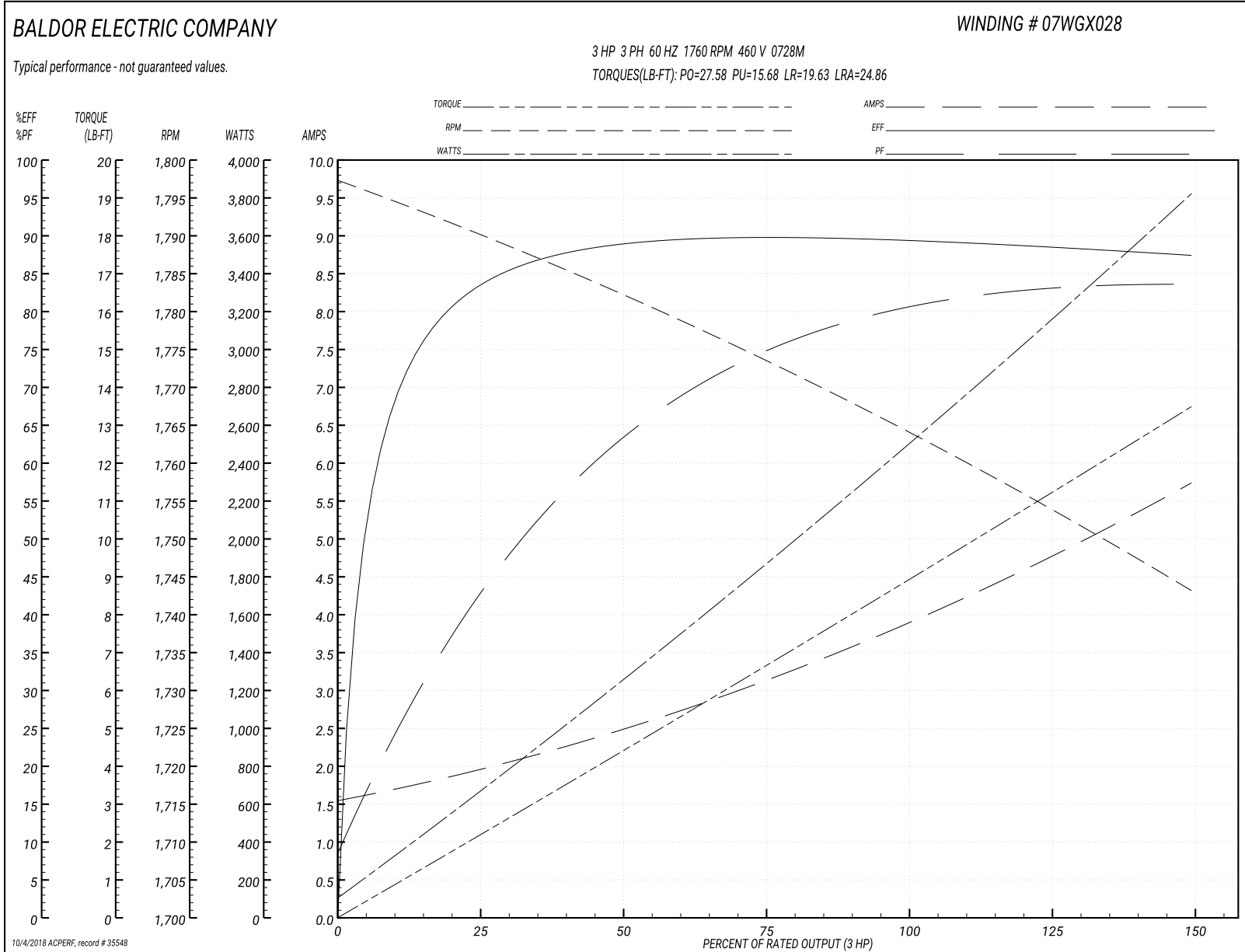
Winding: 07WGX028-R005	Type: 0728M	Enclosure: TEFC
-------------------------------	--------------------	------------------------

Nameplate Data				460 V, 60 Hz: Single Voltage Motor	
Rated Output (HP)	3			Full Load Torque	9 LB-FT
Volts	460			Start Configuration	direct on line
Full Load Amps	3.9			Breakdown Torque	27.58 LB-FT
R.P.M.	1760			Pull-up Torque	15.68 LB-FT
Hz	60	Phase	3	Locked-rotor Torque	19.63 LB-FT
NEMA Design Code	B	KVA Code	-	Starting Current	24.86 A
Service Factor (S.F.)	1			No-load Current	1.56 A
NEMA Nom. Eff.	89.5	Power Factor	83	Line-line Res. @ 25°C	3.5 Ω
Rating - Duty	65C AMB-CONT			Temp. Rise @ Rated Load	33°C
				Locked-rotor Power Factor	41
				Rotor inertia	0.587 LB-FT ²

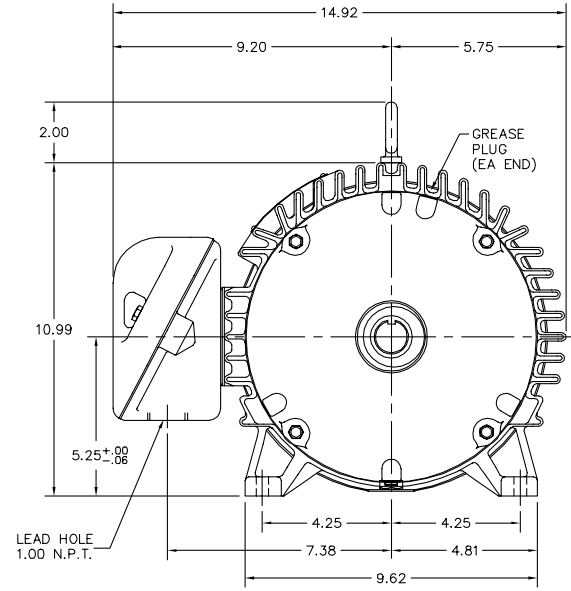
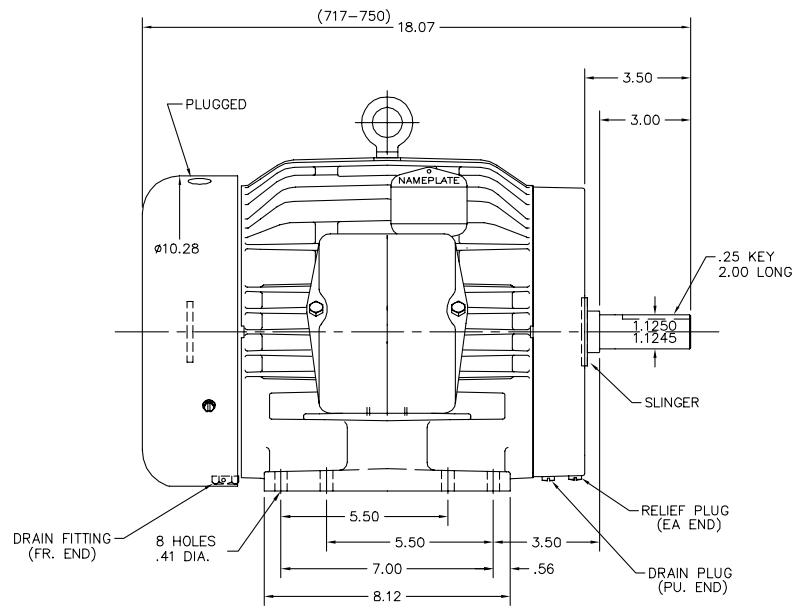
Load Characteristics 460 V, 60 Hz, 3 HP

% of Rated Load	25	50	75	100	125	150
Power Factor	42	65	77	82	79	85
Efficiency	85.3	88.7	89.7	89.5	88.2	87.5
Speed	1789	1781	1774	1766	1751	1744
Line amperes	1.99	2.49	3.09	3.88	5.01	5.62

Performance Graph at 460V, 60Hz, 3.0HP Typical performance - Not guaranteed values



07LYG087



07LYG087

CUSTOMER IS RESPONSIBLE FOR DETERMINING THAT BALDOR'S PRODUCT WILL PERFORM SUITABLY IN THE INTENDED APPLICATION.

REV. DESC: REMOVE GM AND REPLACE WITH AUTOMOTIVE	VERSION: 01	TDR: 000000920606
REV. LTR: H	REVISED: 09:37:16 04/17/2015	BY: ENALEMO
FILE: \AAA\00016\238		
MTL: -		

BALDOR

HORZ 213-5 TEFC 307M - AUTOMOTIVE SPECS
SH 1 of 1

CD0006



NOTES:

1. THREE LEAD MOTOR MAY BE EITHER WYE CONNECTED OR DELTA CONNECTED.
2. INTERCHANGE ANY TWO LINE LEADS TO REVERSE ROTATION.
3. OPTIONAL THERMOSTATS ARE PROVIDED WHEN SPECIFIED.
4. ACTUAL NUMBER OF INTERNAL PARALLEL CIRCUITS MAY VARY.
5. LEAD COLORS ARE OPTIONAL. LEADS MUST BE NUMBERED AS SHOWN.

REV. DESC: REVISE TO SHOW OPTIONAL COLORS			
REV. LTR: D	BY: JLP	REVISED: 01/21/99 4:02	TDR: 0171435
9000D		FILE: AAA00005141	MDL: -
		MTL: -	

BALDOR ELECTRIC Co.

3PH, SV, 3 LEADS, WYE OR DELTA CONNECTED

CD0006