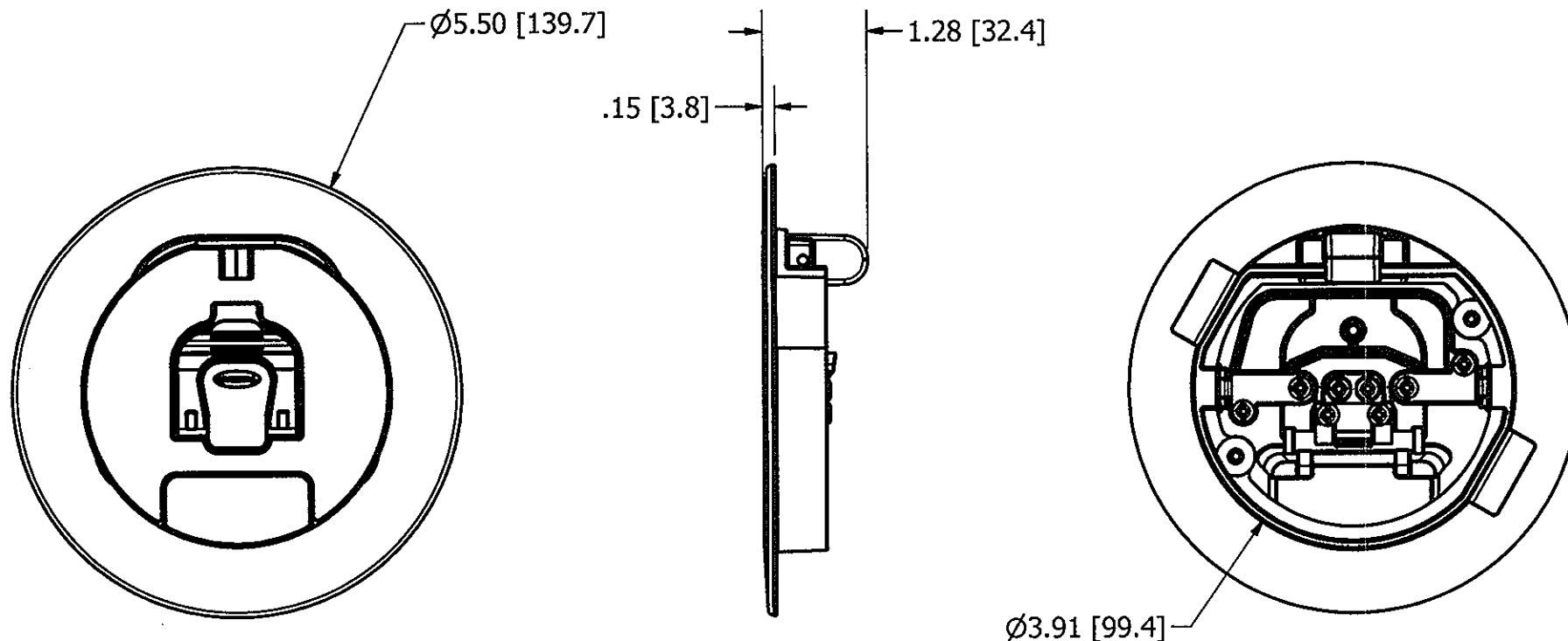


M-13043

2



NOTES:

1. ALL DIMENSIONS ARE IN INCHES AND [MILLIMETERS].
2. PRODUCT IS cULus LISTED. COMPLIES WITH UL 514A.
3. MOUNTING HARDWARE INCLUDED.
4. AFBS1R4CVRXX SERIES COVERS TO BE USED WITH AFBS1R4XX SERIES FLOOR BOXES. CFBS1R4CVRXX SERIES COVERS TO BE USED WITH CFBS1R4XX SERIES FLOOR BOXES.

CATALOG NO.	COVER FINISH
CFBS1R4CVRALU	BRUSHED ALUMINUM
CFBS1R4CVRBLK	BLACK POWDER COAT
CFBS1R4CVRBRS	BRASS PLATED
CFBS1R4CVRBRZ	BRONZE PLATED FINISH
CFBS1R4CVRNKL	SATIN NICKEL PLATED
CFBS1R4CVRGRY	GRAY POWDER COAT
AFBS1R4CVRALU	BRUSHED ALUMINUM
AFBS1R4CVRBLK	BLACK POWDER COAT
AFBS1R4CVRBRS	BRASS PLATED
AFBS1R4CVRBRZ	BRONZE PLATED FINISH
AFBS1R4CVRNKL	SATIN NICKEL PLATED
AFBS1R4CVRGRY	GRAY POWDER COAT

LIST OF PARTS		
DESCRIPTION	MATERIAL	FINISH
FLANGE RING	ALUMINUM	SEE TABLE
MAIN DOOR	ALUMINUM	SEE TABLE
ACCESS DOORS	ALUMINUM	SEE TABLE
HANDLE	ALUMINUM	SEE TABLE
HANDLE BEARING BLOCK	ALUMINUM	SEE TABLE
LINKS	ALUMINUM	SEE TABLE
SLIDERS	ALUMINUM	NONE
DOOR GASKETS	FOAM RUBBER	BLACK
HARDWARE	STEEL	ZINC

2	ADDED AFBS1R4CVRxx CAT#s TO THE TABLE. ADDED NOTE 4. PER DCN# 21144	EMD	7/28/2015
1	INITIAL RELEASE PER DCN 21150	SBW	4/17/2015
SYM	DESCRIPTION	APP	DATE

THE DESIGN AND DIMENSIONS OF THE PRODUCT SHOWN ON THIS DRAWING ARE SUBJECT TO CHANGE WITHOUT NOTICE

TITLE  
SYSTEM ONE 4 INCH ROUND COVER FOR RECESSED FLOOR BOXES

TOLERANCES UNLESS OTHERWISE SPECIFIED			
.XX = ± .01	WIRING DEVICE-KELLEMS HUBBELL INCORPORATED SHELTON, CT.		
.XXX = ± .005	DR. BY	SBW	APP. BY
ANGLES = ± 2°	TR. BY	SCALE 1/2	
	CHK'D BY	DATE 4/17/2015	

DIMENSION SHEET FOR CAT. NO. **M-13043**  
 REPAIRABLE  NON-REPAIRABLE   
 SEE TABLE  
**B**  
**2**