

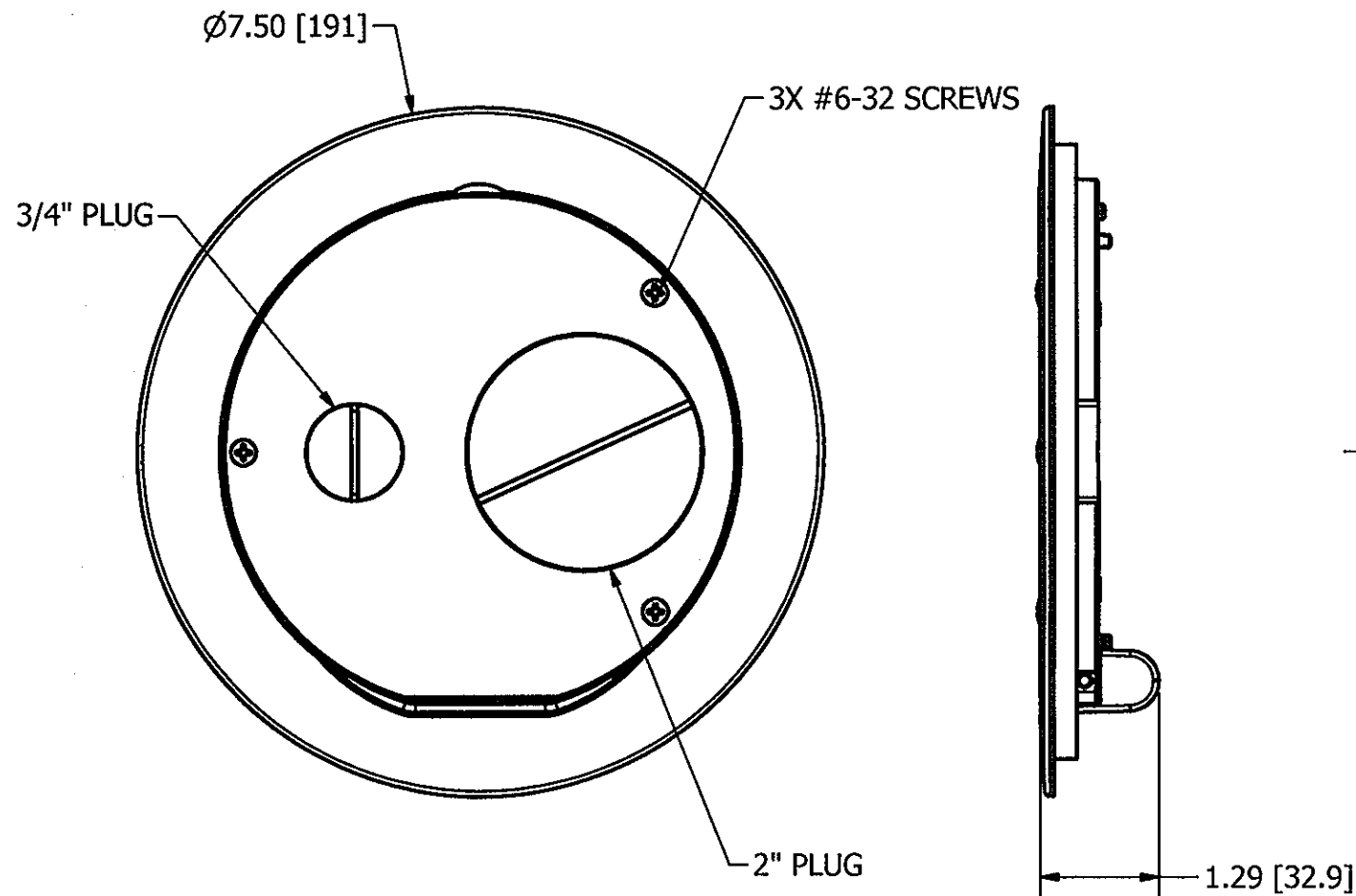
M-13035

2

LIST OF PARTS

DESCRIPTION	MATERIAL	FINISH
FLANGE RING	ALUMINUM	SEE TABLE
COVER PLATE FF	ALUMINUM	SEE TABLE
CLOSURE PLUG, 2"	ALUMINUM	SEE TABLE
CLOSURE PLUG, 3/4"	ALUMINUM	SEE TABLE
GASKET	ELASTOMER	BLACK
SCREWS	STEEL	ZINC PLATE
SCREWS	STEEL	SEE TABLE

DIMENSION SHEET FOR CAT. NO.



REPAIRABLE NON-REPAIRABLE

2	ADDED GRAY POWDER COATED FINISH. REMOVED CONDUIT FITTINGS FROM LIST OF PARTS TABLE. PER DCN#21974	EMD	3/18/16
1	RELEASED PER DCN#21144	EMD	7/7/15
SY	DESCRIPTION	APPR	DATE

THE DESIGN AND DIMENSIONS OF THE PRODUCT SHOWN ON THIS DRAWING ARE SUBJECT TO CHANGE WITHOUT NOTICE

TITLE
6 INCH FURNITURE FEED COVER, AFB

TOLERANCES UNLESS OTHERWISE SPECIFIED FRACTIONS ±1/64 DECIMALS ±.005 ANGLES ±2'	WIRING DEVICE-KELLEMS HUBBELL INCORPORATED SHELTON, CT	
	DR. BY EMD	APP. BY
	TR. BY	SCALE 1/2
	CHK'D BY	DATE 3/24/2015

B M-13035

NOTE: ALL DIMENSIONS ARE IN INCHES AND [MILLIMETERS]

CAT#	DESCRIPTION	FINISH
AFBS1R6FFCVRALU	6" AFB FF COVER ALUMINUM	BRUSHED ALUMINUM
AFBS1R6FFCVRBLK	6" AFB FF COVER BLACK	BLACK POWDER COAT
AFBS1R6FFCVRBRS	6" AFB FF COVER BRASS	BRASS PLATE
AFBS1R6FFCVRBRZ	6" AFB FF COVER BRONZE	BRONZE PLATE
AFBS1R6FFCVRNKL	6" AFB FF COVER NICKEL	NICKEL PLATE
AFBS1R6FFCVRGRY	6" AFB FF COVER GRAY	GRAY POWDER COAT