

**BALDOR® • RELIANCE** 

**Product Information Packet**

**AFL3525A**

**1.5HP,3450RPM,1PH,60HZ,56,3528L,TEAO,F1**

Part Detail							
Revision:	AG	Status:	PRD/A	Change #:		Proprietary:	No
Type:	AC	Elec. Spec:	35WG0525	CD Diagram:	CD0052	Mfg Plant:	
Mech. Spec:	35T954	Layout:	35LYT954	Poles:	02	Created Date:	06-22-2007
Base:	RG	Eff. Date:	05-31-2018	Leads:	4#16 A&J,2#18 B PH,1#14 #1TH		

Specs			
Catalog Number:	AFL3525A	Inverter Code:	Not Inverter
Enclosure:	TEAO	KVA Code:	H
Frame:	56	Lifting Lugs:	No Lifting Lugs
Frame Material:	Steel	Locked Bearing Indicator:	No Locked Bearing
Output @ Frequency:	1.500 HP @ 60 HZ	Motor Lead Quantity/Wire Size:	4 @ 16 AWG, A&J
Synchronous Speed @ Frequency:	3600 RPM @ 60 HZ	Motor Lead Exit:	Terminal Panel Or Lead Hole
Voltage @ Frequency:	115.0 V @ 60 HZ	Motor Lead Termination:	Flying Leads
	230.0 V @ 60 HZ	Motor Type:	3528L
XP Class and Group:	None	Mounting Arrangement:	F1
XP Division:	Not Applicable	Power Factor:	82
Agency Approvals:	UR	Product Family:	General Purpose
	CSA	Product Type:	FARM DUTY
Auxillary Box:	No Auxillary Box	Pulley End Bearing Type:	Ball
Auxillary Box Lead Termination:	None	Pulley Face Code:	Standard
Base Indicator:	Rigid	Pulley Shaft Indicator:	Tapped & Key
Bearing Grease Type:	Polyrex EM (-20F +300F)	Rodent Screen:	None
Blower:	None	RoHS Status:	ROHS COMPLIANT
Current @ Voltage:	16.600 A @ 115.0 V	Shaft Extension Location:	Pulley End

	8.300 A @ 230.0 V	<b>Shaft Ground Indicator:</b>	No Shaft Grounding
	8.600 A @ 208.0 V	<b>Shaft Rotation:</b>	Reversible: Connected Standard
<b>Design Code:</b>	L	<b>Shaft Slinger Indicator:</b>	No Slinger
<b>Drip Cover:</b>	No Drip Cover	<b>Speed Code:</b>	Single Speed
<b>Duty Rating:</b>	CONT	<b>Motor Standards:</b>	NEMA
<b>Electrically Isolated Bearing:</b>	Not Electrically Isolated	<b>Starting Method:</b>	Direct on line
<b>Feedback Device:</b>	NO FEEDBACK	<b>Thermal Device - Bearing:</b>	NONE (OLD)
<b>Front Face Code:</b>	Terminal Panel	<b>Thermal Device - Winding:</b>	None
<b>Front Shaft Indicator:</b>	None	<b>Vibration Sensor Indicator:</b>	No Vibration Sensor
<b>Heater Indicator:</b>	No Heater	<b>Winding Thermal 1:</b>	Automatic Thermal Overload
<b>Insulation Class:</b>	B	<b>Winding Thermal 1 Location:</b>	SB
		<b>Winding Thermal 2:</b>	None

<b>Nameplate NP1280L</b>											
<b>CAT.NO.</b>	AFL3525A										
<b>SPEC.</b>	35T954-0525										
<b>HP</b>	1.5										
<b>VOLTS</b>	115/230										
<b>AMP</b>	16.6/8.3										
<b>RPM</b>	3450										
<b>FRAME</b>	56				<b>HZ</b>	60			<b>PH</b>	1	
<b>SER.F.</b>	1.00				<b>CODE</b>	H		<b>DES</b>	L	<b>CL</b>	B
<b>NEMA-NOM-EFF</b>	70				<b>PF</b>	82					
<b>RATING</b>	40C AMB-CONT										
<b>CC</b>								<b>USABLE AT 208V</b>	8.6		
<b>DE</b>	6205				<b>ODE</b>	6203					
<b>ENCL</b>	TEAO				<b>SN</b>						

Parts List		
Part Number	Description	Quantity
SA111040	SA 35T954-0525	1.000 EA
RA102419	RA 35T954-0525	1.000 EA
EC1645A06SP	ELEC CAP, 645-774 MFD, 125V, 2.06D X 4.	1.000 EA
53XT0832G07	8-32X7/16 PN STD SR TY23G X	1.000 EA
51XW0832A07	8-32 X .44, TAPTITE II, HEX WSHR SLTD SE	2.000 EA
35EP3102A01SP	FR ENDPLATE, MACH	1.000 EA
HW5100A03	WAVY WASHER (W1543-017)	1.000 EA
35EP3123A00	MASTER DE,205 BRG,.998SH,#26 DRN	1.000 EA
XY1032A02	10-32 HEX NUT DIRECTIONAL SERRATION	4.000 EA
WD4100A01	DP-875 HEYCO PLUG OR 62MP0875 MICRO PLAS	1.000 EA
35CB4500SP	TERMINAL BOX LID STAMPED	1.000 EA
35GS1002	GASKET,1/16 THICK LEXIDE	1.000 EA
51XW0832A07	8-32 X .44, TAPTITE II, HEX WSHR SLTD SE	2.000 EA
HW2501D13	KEY, 3/16 SQ X 1.375	1.000 EA
HA7000A04	KEY RETAINER 0.625 DIA SHAFTS	1.000 EA
85XU0407S04	4X1/4 U DRIVE PIN STAINLESS	2.000 EA
RM1001A01	GROMMET "MIDSTATES"	1.000 EA
WD1000A15	3-520132-2 AMP FLAG (4M/RL NON-CANC/NON-	2.000 EA
WD1000A15	3-520132-2 AMP FLAG (4M/RL NON-CANC/NON-	6.000 EA
MJ1000A02	GREASE, POLYREX EM EXXON (USe 4824-15A)	0.050 LB
MG1025C02	WILKOFASST SG, 787.105, TAN	0.017 GA
SP5066A01	35 TERM PANEL SWITCH W/E-BLK, 8-RED	1.000 EA
HA3100A18	THRUBOLT 10-32 X 9.250	4.000 EA
LB1118	LABEL,WARNING (ROLL LABEL)	1.000 EA

<b>Parts List (continued)</b>		
<b>Part Number</b>	<b>Description</b>	<b>Quantity</b>
35CB4802A02SP	CAPACITOR COVER, STAMPED X	1.000 EA
35GS3001A02	GASKET, CA.COVER, 5.38 LONG .06 CS301	1.000 EA
51XB1016A05	10-16X5/16HX WA SL SR TYB (F/S)	3.000 EA
LC0052	CONNECTION LABEL	1.000 EA
NP1280L	ALUM FARM DUTY UL CSA CC THERMAL	1.000 EA
35PA1029	PKG GRP, BLANK PK1012	1.000 EA
PE-0000001	ZRTG PE ASSEMBLY	1.000 EA

<b>Accessories</b>		
<b>Part Number</b>	<b>Description</b>	<b>Multiplier</b>
35-8762	C FACE KIT	A8
35EP1506A01SP	D-FLANGE KIT	A8

**AC Induction Motor Performance Data**

Record # 8080 - Typical performance - not guaranteed values

<b>Winding:</b> 35WG0525-R001	<b>Type:</b> 3528L	<b>Enclosure:</b> TEFC
-------------------------------	--------------------	------------------------

Nameplate Data				230 V, 60 Hz: High Voltage Connection	
Rated Output (HP)	1.5			Full Load Torque	2.3 LB-FT
Volts	115/230			Start Configuration	direct on line
Full Load Amps	16.6/8.3			Breakdown Torque	5.6 LB-FT
R.P.M.	3450			Pull-up Torque	4.2 LB-FT
Hz	60	Phase	1	Locked-rotor Torque	5.5 LB-FT
NEMA Design Code	L	KVA Code	H	Starting Current	42 A
Service Factor (S.F.)	1			No-load Current	3.8 A
NEMA Nom. Eff.	70	Power Factor	82	Line-line Res. @ 25°C	1.26 Ω A Ph 1.23 Ω B Ph
Rating - Duty	40C AMB-CONT			Temp. Rise @ Rated Load	70°C

Load Characteristics 230 V, 60 Hz, 1.5 HP

% of Rated Load	25	50	75	100	125	150
Power Factor	52	69	78	84	87	88
Efficiency	54.9	67.7	71.6	72.4	71.2	68.4
Speed	3568	3543	3518	3485	3452	3409
Line amperes	4.4	5.4	6.6	8.3	9.9	12



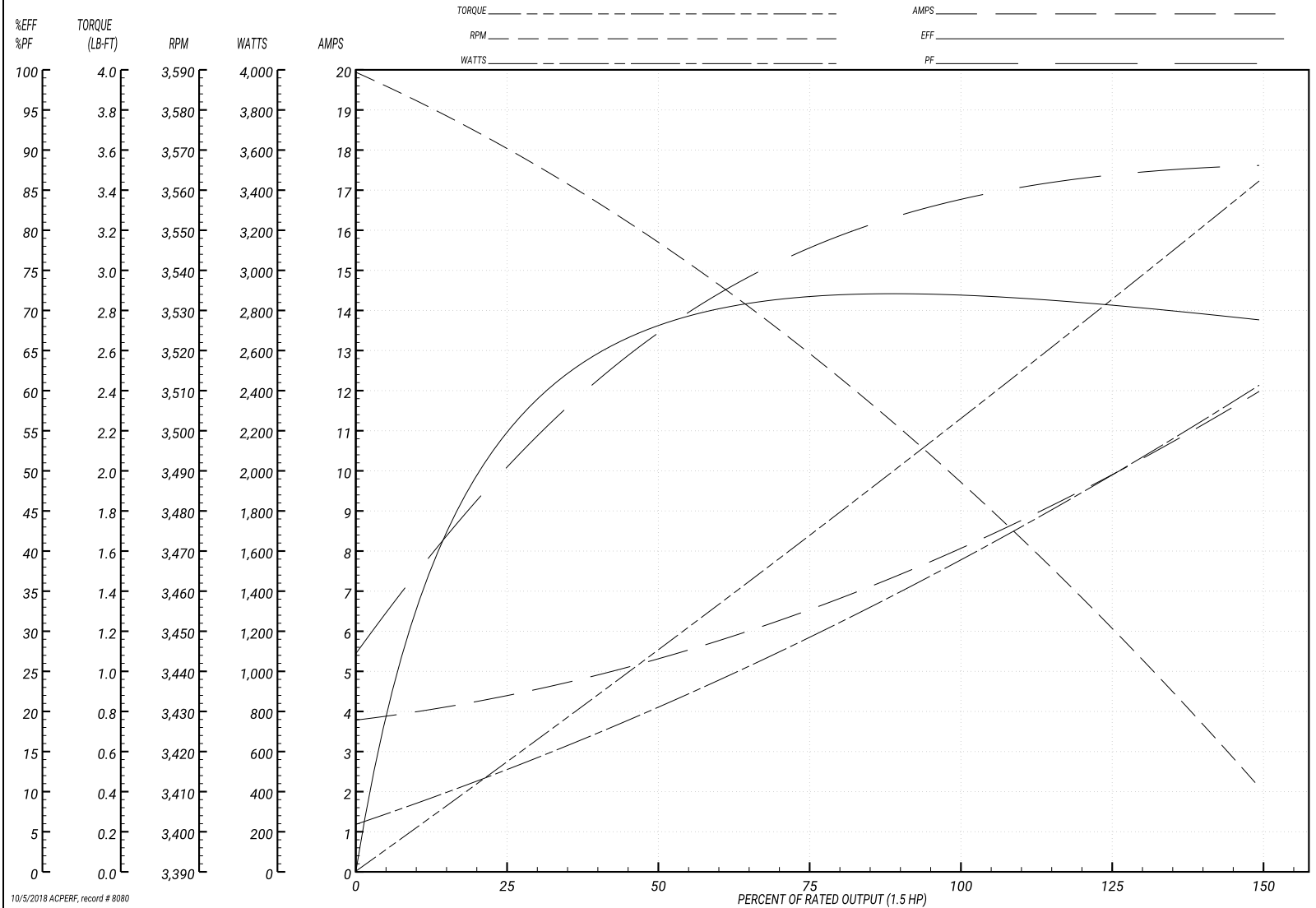
Performance Graph at 230V, 60Hz, 1.5HP Typical performance - Not guaranteed values

**BALDOR ELECTRIC COMPANY**

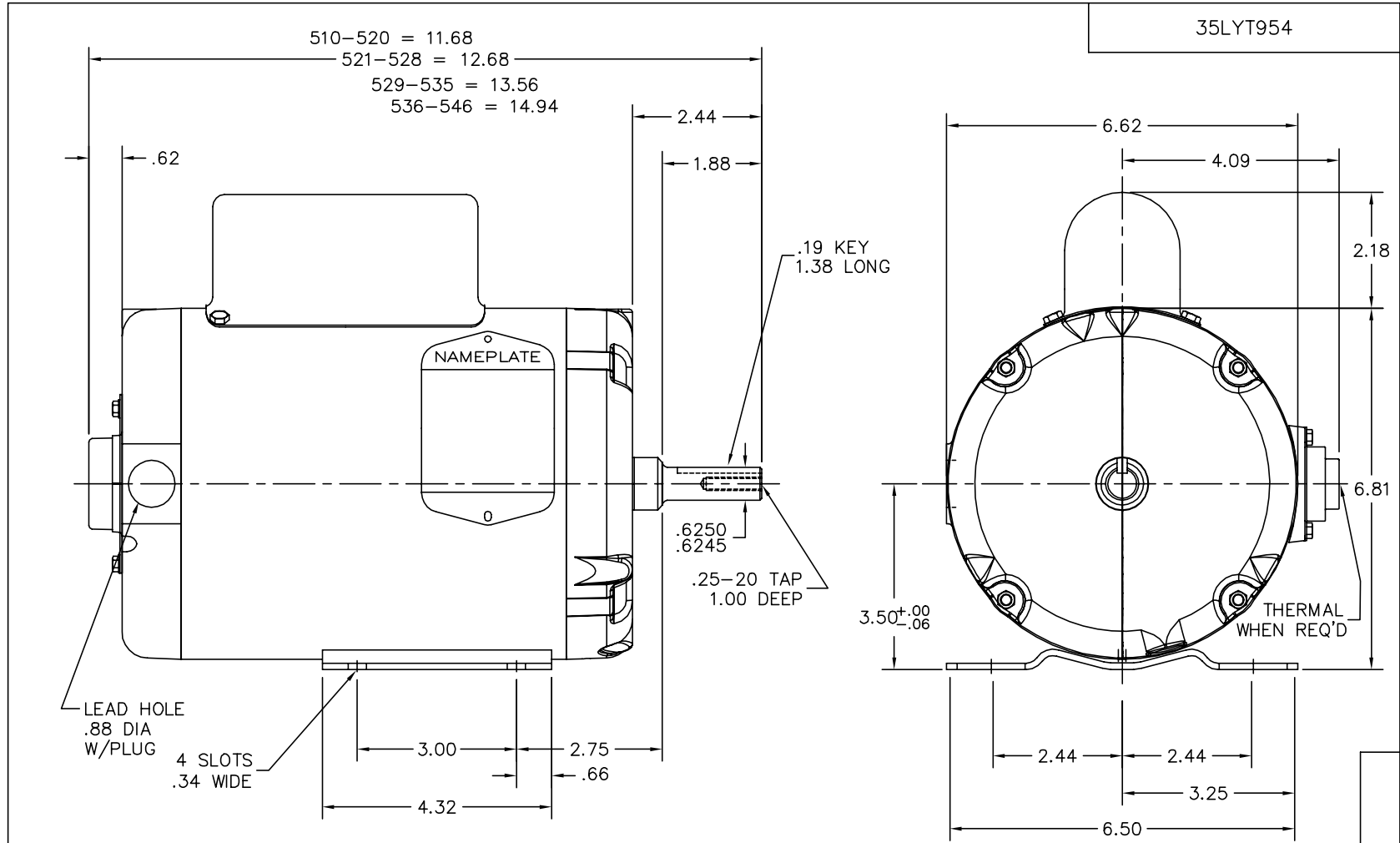
WINDING # 35WG0525

Typical performance - not guaranteed values.

1.5 HP 1 PH 60 HZ 3450 RPM 230 V 3528L  
 TORQUES(LB-FT): PO=5.6 PU=4.2 LR=5.5 LRA=42



10/5/2018 ACPERF\_record # 8080



AERATION FAN MOTOR

CUSTOMER IS RESPONSIBLE FOR DETERMINING THAT BALDOR'S PRODUCT WILL PERFORM SUITABLY IN THE INTENDED APPLICATION.

REV. DESC: REPLACE ENDPLATES		
REV. LTR: B	VERSION: 02	TDR: 000001064040
FILE: \AAA\00111\278	REVISED: 11:12:04 03/23/2018	BY: FPJFGO
MTL: -	⊙ ⊚	

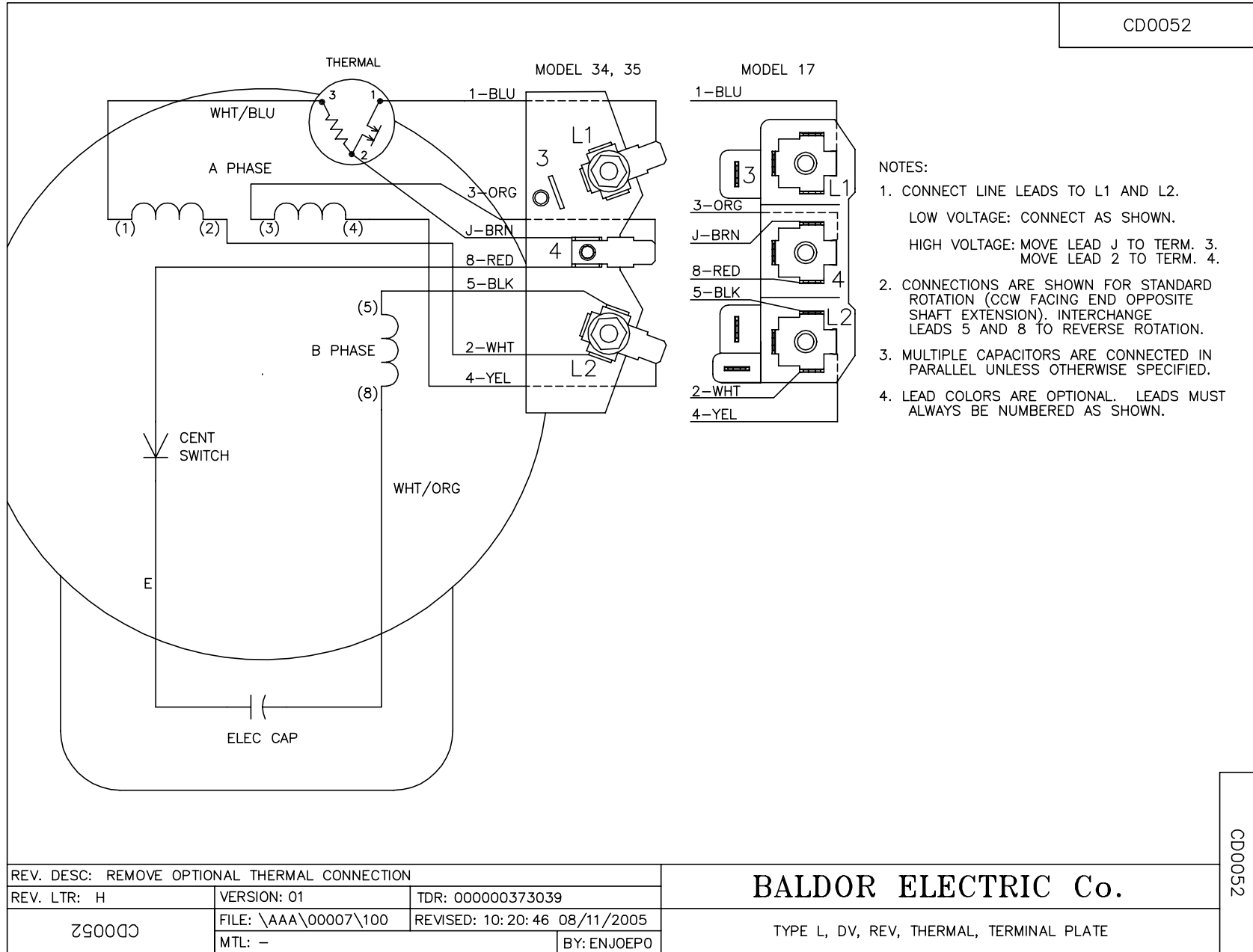
**BALDOR - RELIANCE®**

HORZ 56 TEAO 35L TERM PANEL W/ .25-20 TAP IN SHAFT (2 POLE)

SH 1 of 1

35LYT954

CD0052



CD0052

REV. DESC: REMOVE OPTIONAL THERMAL CONNECTION		
REV. LTR: H	VERSION: 01	TDR: 000000373039
Z90052	FILE: \AAA\00007\100	REVISED: 10:20:46 08/11/2005
	MTL: -	BY: ENJOEPO

**BALDOR ELECTRIC Co.**

TYPE L, DV, REV, THERMAL, TERMINAL PLATE