



Features and Benefits

Arc Fault AFCI Receptacles

- Meets new 2017 National Electric Code for AFCI Protection
- Qualified to Federal Specification Listing WC596
- Meets or exceeds UL requirements for tripping time on series and parallel arcs
- Tamper-Resistant and self grounding construction are standard features
- Green power ON LED indicator
- Automatically tests the AFCI each time the reset button is pressed in place
- No reset when tested if AFCI functionality is compromised



Arc Fault AFCI Receptacles



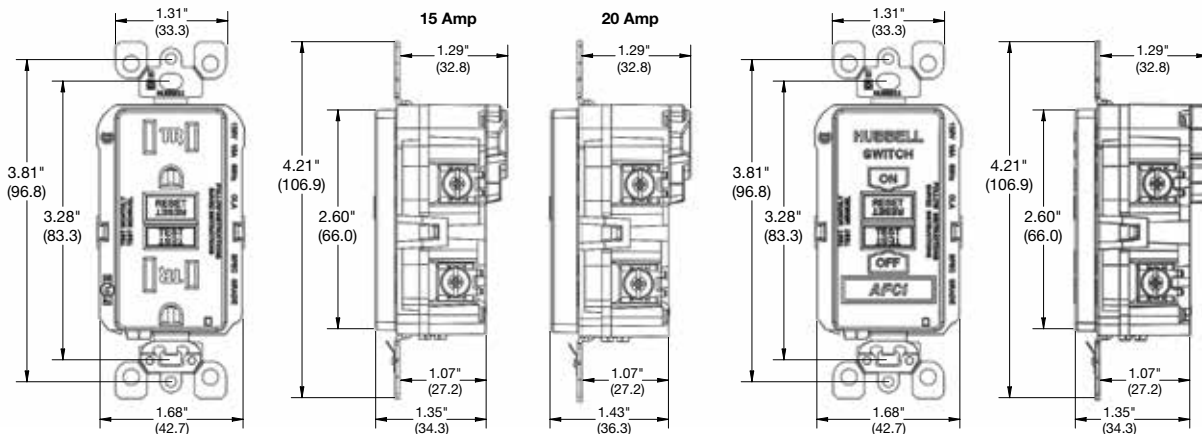
Rating	Color	Standard	Rating	Color	Standard	Blank Face
	Black	AFR15TRBK		Black	AFR20TRBK	—
	Brown	AFR15TR		Brown	AFR20TR	—
	Gray	AFR15TRGY		Gray	AFR20TRGY	—
	Ivory	AFR15TRI		Ivory	AFR20TRI	AFR20BFI
	Light Almond	AFR15TRLA		Light Almond	AFR20TRLA	AFR20BFW
White	AFR15TRW	White	White	AFR20TRW	—	

Specifications

Ratings		Certifications		Construction	
Amperage	15 Amp/20 Amp	UL1699A	E366570	Termination	Back and Side
Feed-thru	20 Amp Protection	UL498	Receptacle	Terminal	#14-10 AWG
Voltage	120V AC (+10% to 15%) (102V to 132V)	UL Fed Spec	WC-596	Grounding	Self-Grounding Clip
Horsepower	(1) @ Rated Voltage	CSA Standard	C22.2 No. 42	Indicators	Power & Rev Wire
Flammability	Rated V2 per UL 94	CSA Tech	Letter No. M-02A	Configuration	2 Pole, 3 Wire
Operating Temperature	(-35°C to 66°C) or (-30°F to 150°F)	NEMA	WD-6	NEMA	5-15R, 5-20R
		Tamper-Resistant NEC® 406.12; 210.52 – All 15 and 20A 125V, receptacles shall be listed Tamper-Resistant for dwelling installations.			

The Hubbell "AFR" series meets all requirements for an outlet branch-circuit type AFCI; protects branch circuit wiring and extensions to branches such including appliances and cord sets.

Product Dimensions Inches (mm)



NEC® is a registered trademark of the National Fire Protection Association (NFPA).