

International Shore Connections

Features:

- meets US Coast Guard specifications for vessels of 1000 gross tons or more
- makes possible the connection of two different threads between ship and shore or between ships
- 7" OD brass flange with 4 3/4" holes
- solid wedge disc with tapered seats
- includes 8 washers, 4 hexagon brass nuts, 4 hex head bolts, 1 washer, 1 fiber gasket
- working pressure: **300 PSI**



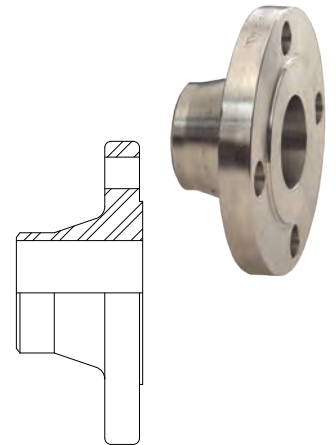
Description	Brass Part #	Wt. Lbs.	Price
shore side	09-318-00001	7.38	\$328.00
ship side	09-319-00001	7.14	328.00

150 LB. ASA Forged Flanges Weld Neck

Feature:

- raised face

Size	Carbon Steel	
	Part #	Price/E
1"	WN100	\$45.25
1 1/4"	WN125	47.00
1 1/2"	WN150	47.25
2"	WN200	53.00
3"	WN300	62.75
4"	WN400	74.50
5"	WN500	115.00
6"	WN600	113.00
8"	WN800	198.00
10"	WN1000	310.00



Flange Gaskets

Features:

- standard drop-ring type all 1/16" thick
- reference page 772 for joint sealant gasket material
- for dimensional information and diagrams, see pages 821 and 822

Size	Neoprene		Klingersil® C-4401	
	Part #	Price/E	Part #	Price/E
1"	NG10	\$1.60	AG10	\$2.80
1 1/4"	NG15	1.95	AG15	3.10
1 1/2"	NG20	1.95	AG20	3.20
2"	NG25	2.10	AG25	3.35
2 1/2"	NG30	2.80	AG30	4.10
3"	NG35	2.30	AG35	5.30
4"	NG40	3.20	AG40	6.40
5"	NG50	6.70	---	---
6"	NG60	4.15	AG60	9.85
8"	NG80	6.80	AG80	13.75



R