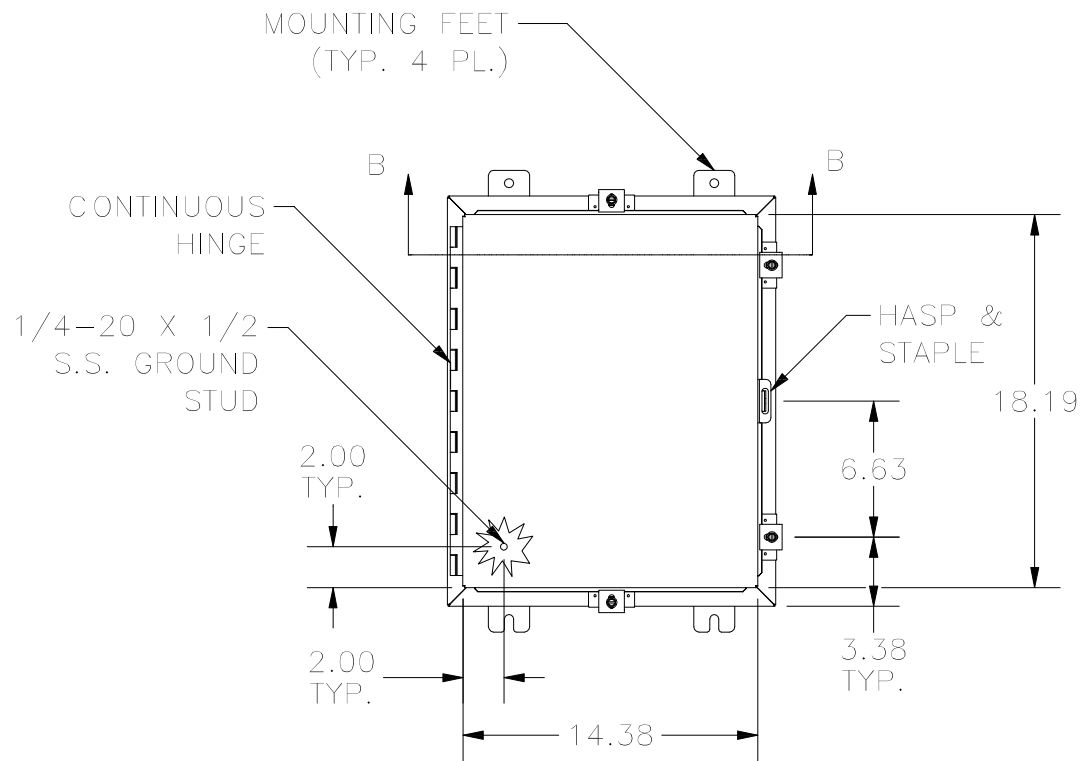
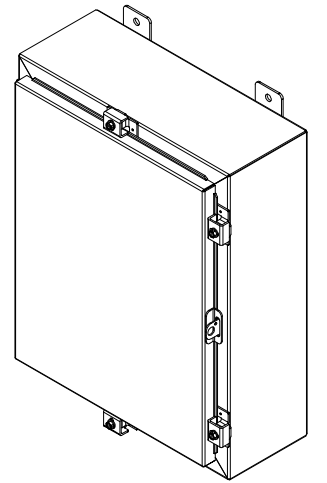
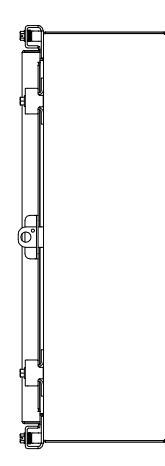


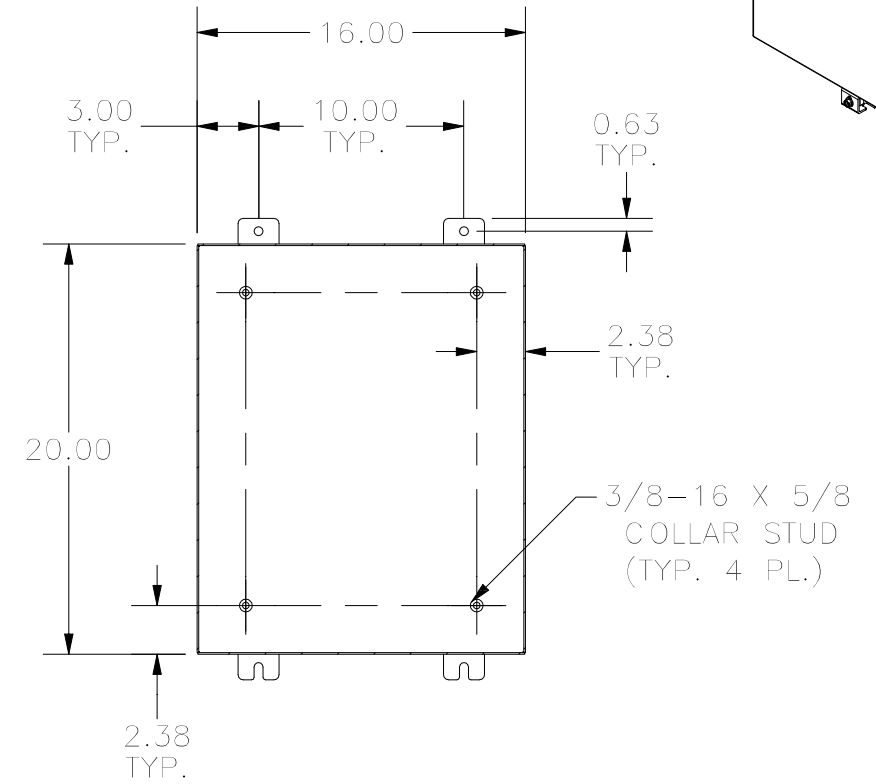
TOP VIEW



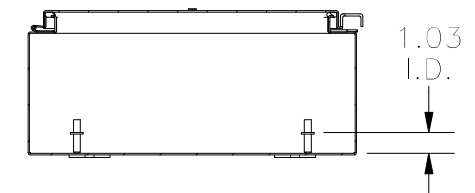
FRONT VIEW



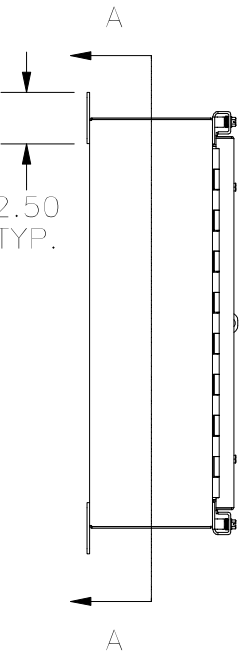
RIGHT VIEW



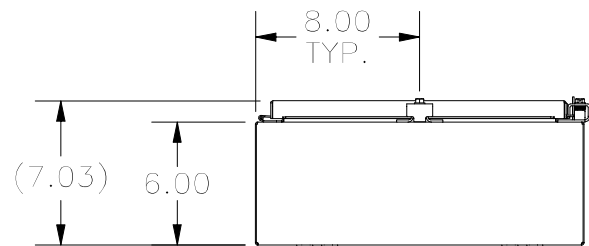
SECTION A-A



SECTION B-B



LEFT SIDE



BOTTOM VIEW

PART#: ALN4201606

(DATA SUBJECT TO CHANGE WITHOUT NOTICE)

THIS DRAWING IS PROPERTY OF HUBBELL INC. WIEGMANN
ALL INFORMATION IS PROPRIETARY AND NOT TO BE DUPLICATED