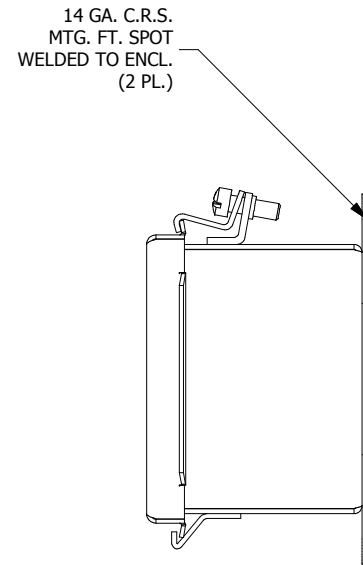
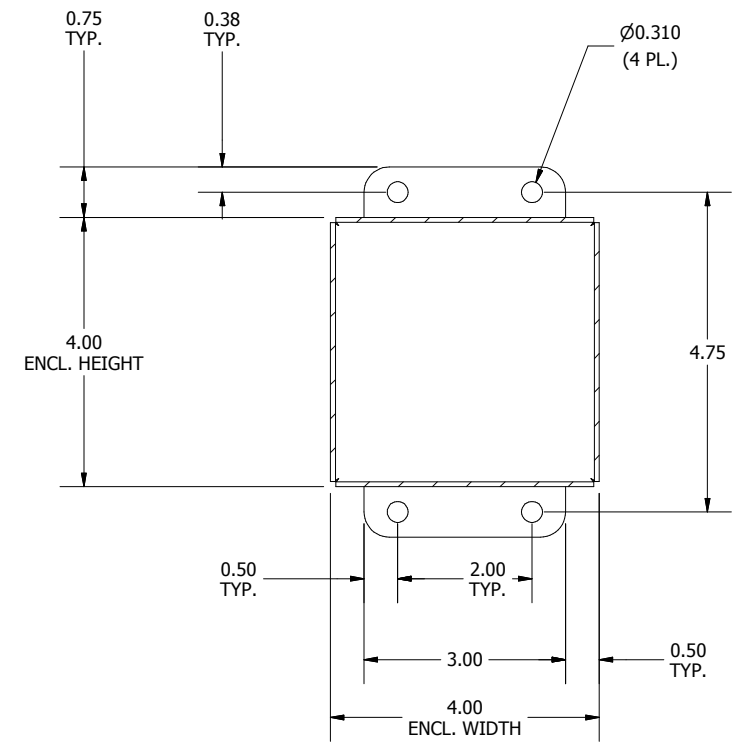


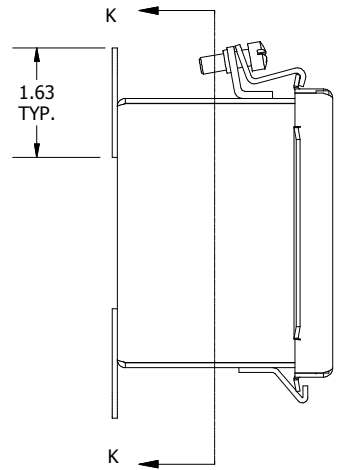
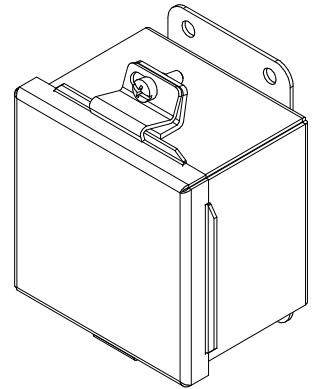
**TOP VIEW**



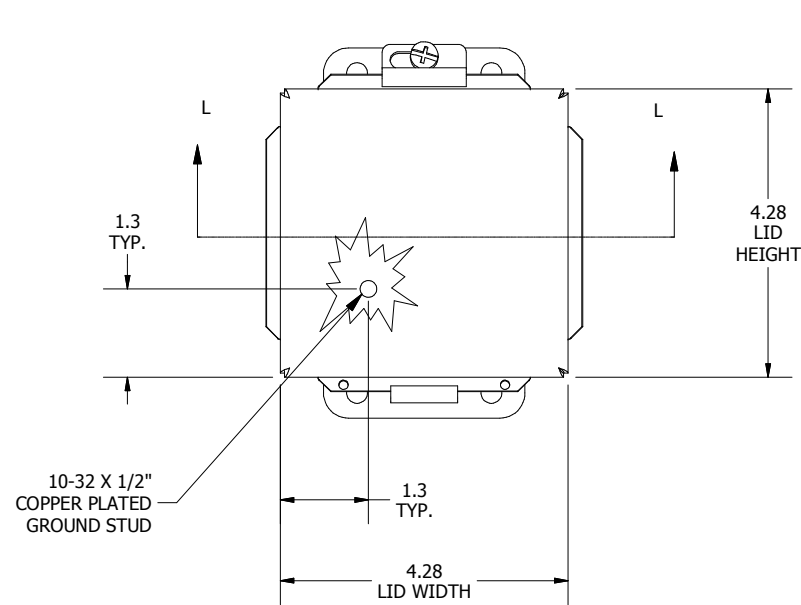
**RIGHT SIDE VIEW**



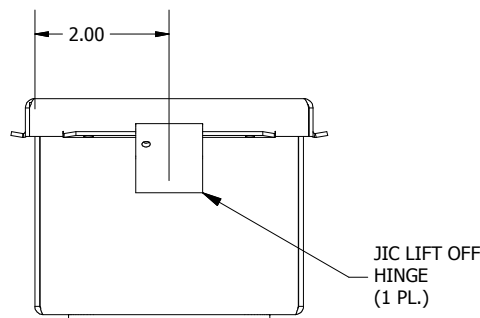
**SECTION K-K (INSIDE BACK OF ENCLOSURE)**



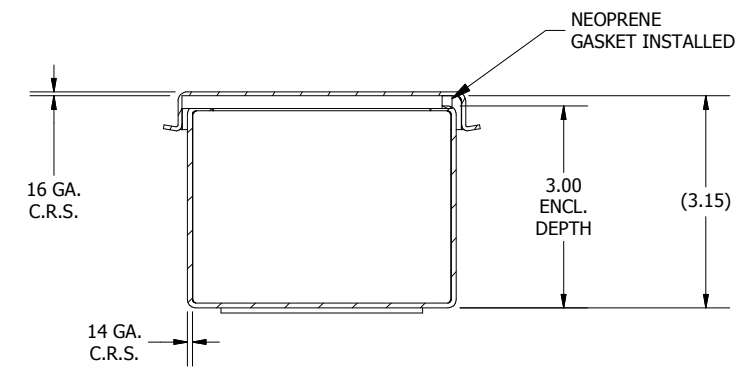
**LEFT SIDE VIEW**



**FRONT VIEW**



**BOTTOM VIEW**



**SECTION L-L VIEW (INSIDE TOP OF ENCL.)**

PART#: B040403  
 (DATA SUBJECT TO CHANGE WITHOUT NOTICE)

THIS DRAWING IS PROPERTY OF HUBBELL INC. WIEGMANN  
 ALL INFORMATION IS PROPRIETARY AND NOT TO BE DUPLICATED