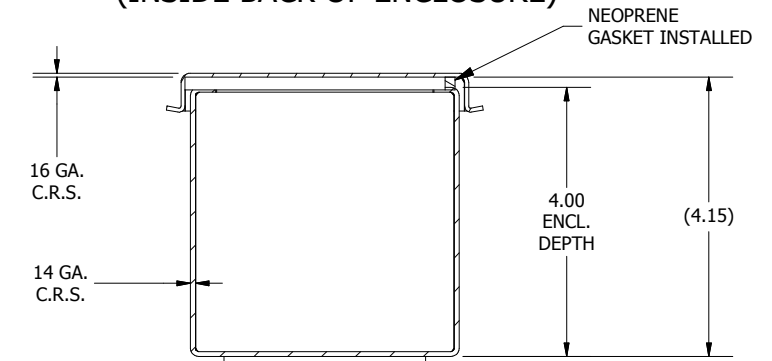
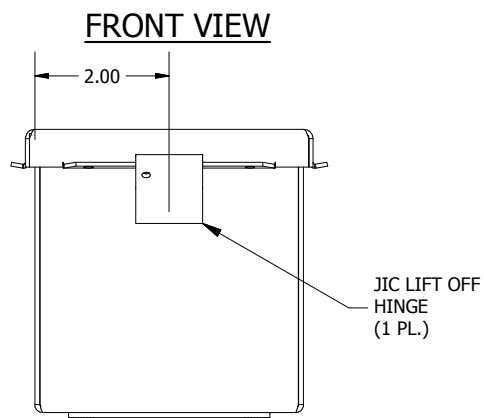


**RIGHT SIDE VIEW**

**SECTION P-P (INSIDE BACK OF ENCLOSURE)**



**LEFT SIDE VIEW**



**BOTTOM VIEW**

PART#: B040404  
 (DATA SUBJECT TO CHANGE WITHOUT NOTICE)

THIS DRAWING IS PROPERTY OF HUBBELL INC. WIEGMANN  
 ALL INFORMATION IS PROPRIETARY AND NOT TO BE DUPLICATED