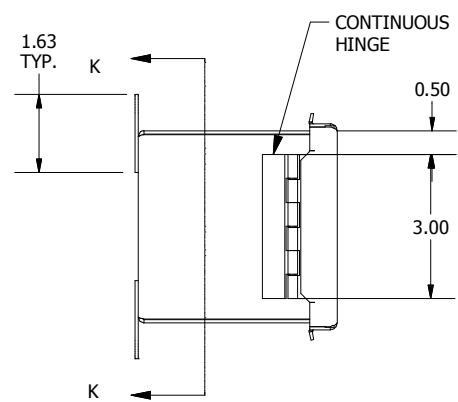
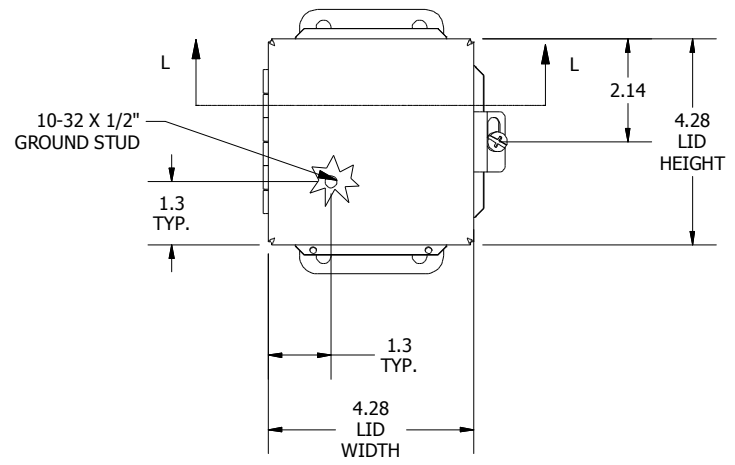


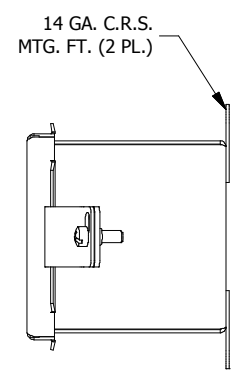
TOP VIEW



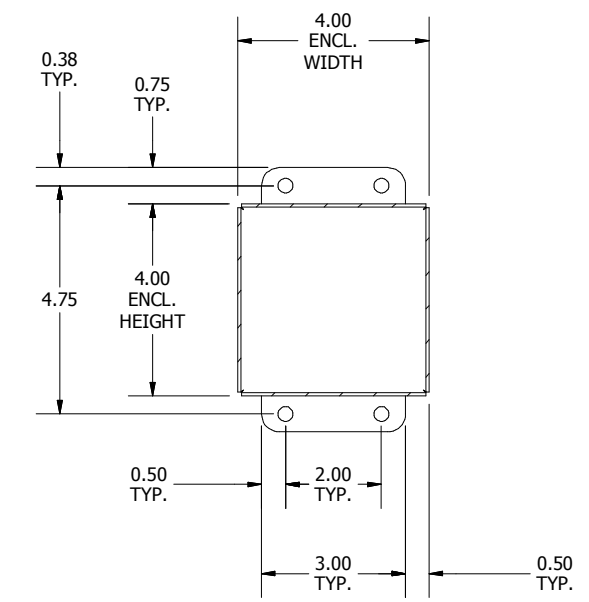
LEFT SIDE VIEW



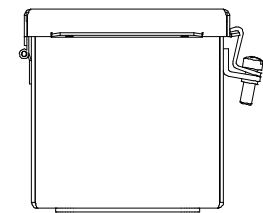
FRONT VIEW



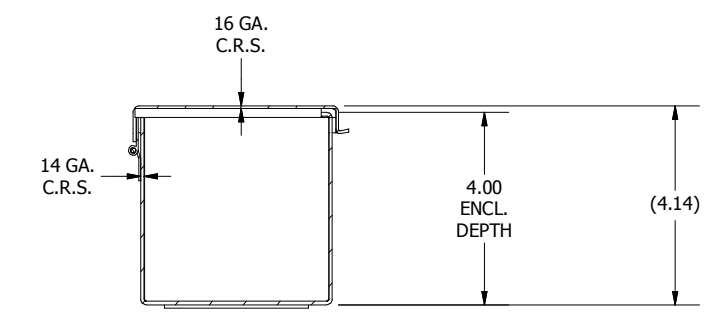
RIGHT SIDE VIEW



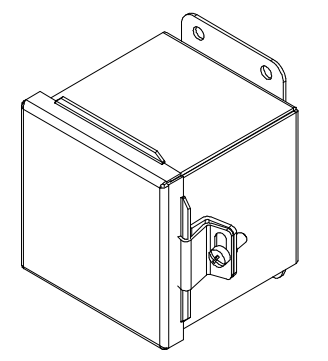
SECTION K-K
(INSIDE BACK OF ENCLOSURE)



BOTTOM VIEW



SECTION L-L VIEW
(INSIDE TOP OF ENCL.)



PART#: B040404CH
(DATA SUBJECT TO CHANGE WITHOUT NOTICE)

THIS DRAWING IS PROPERTY OF HUBBELL INC. WIEGMANN
ALL INFORMATION IS PROPRIETARY AND NOT TO BE DUPLICATED