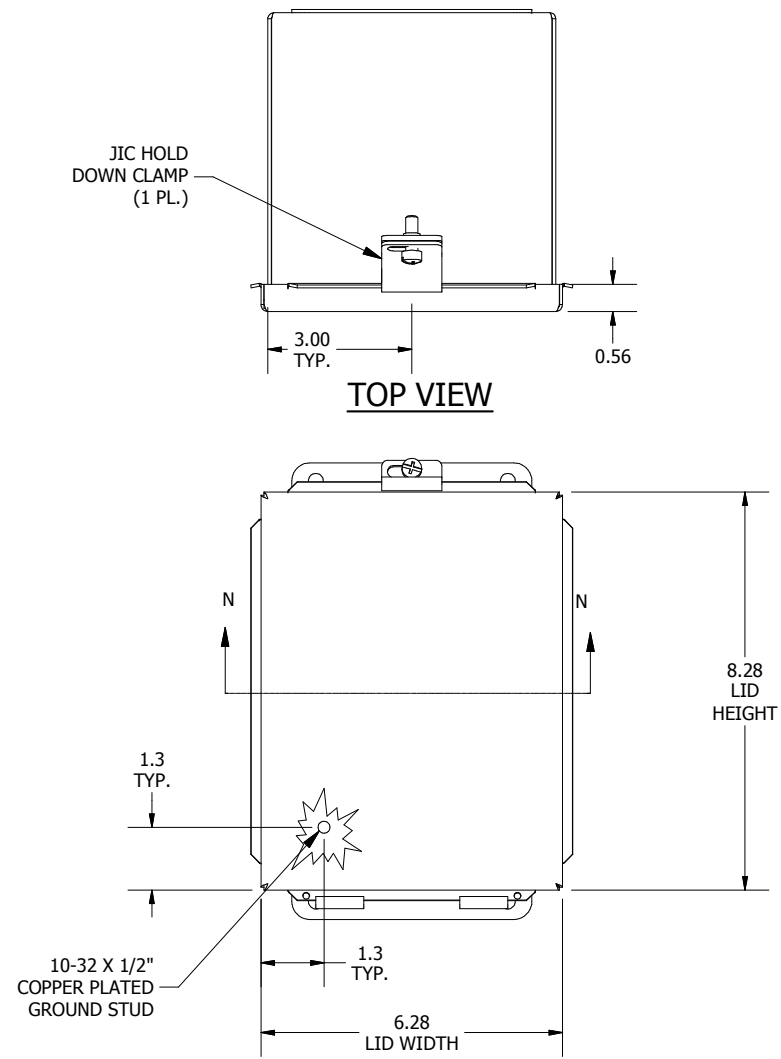
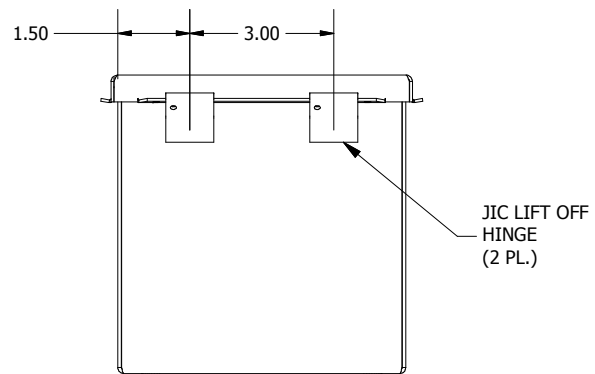


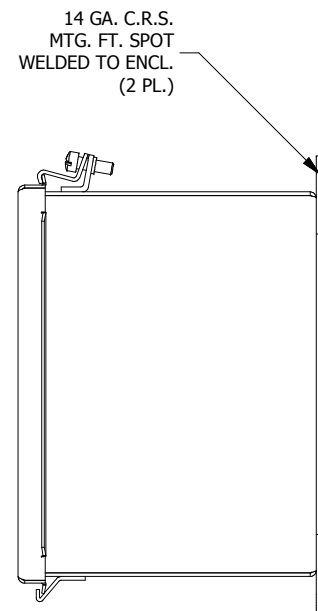
LEFT SIDE VIEW



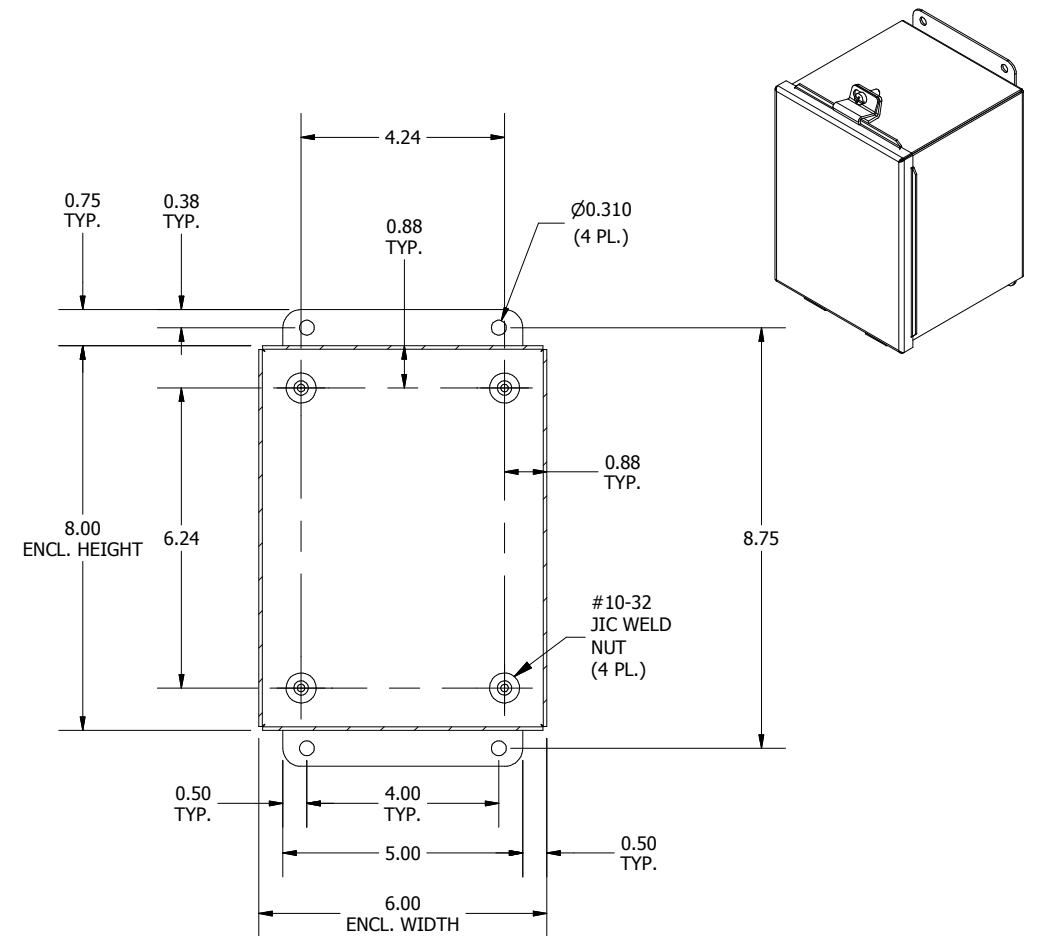
FRONT VIEW



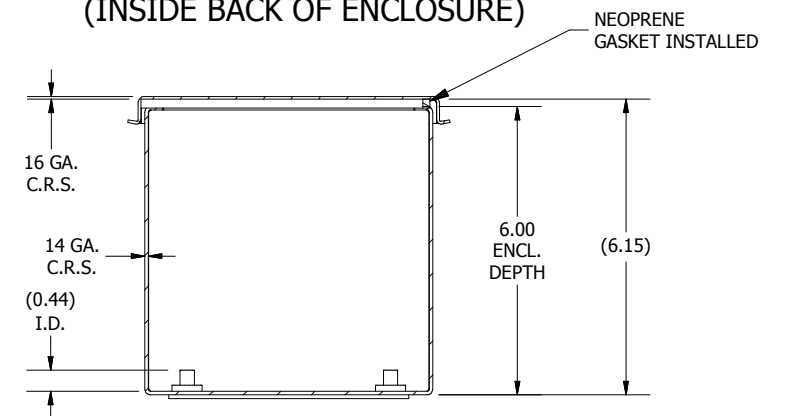
BOTTOM VIEW



RIGHT SIDE VIEW



**SECTION M-M
(INSIDE BACK OF ENCLOSURE)**



**SECTION N-N VIEW
(INSIDE TOP OF ENCL.)**

PART#: B080606
(DATA SUBJECT TO CHANGE WITHOUT NOTICE)

THIS DRAWING IS PROPERTY OF HUBBELL INC. WIEGMANN
ALL INFORMATION IS PROPRIETARY AND NOT TO BE DUPLICATED