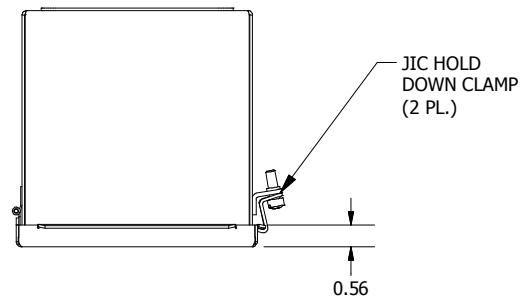
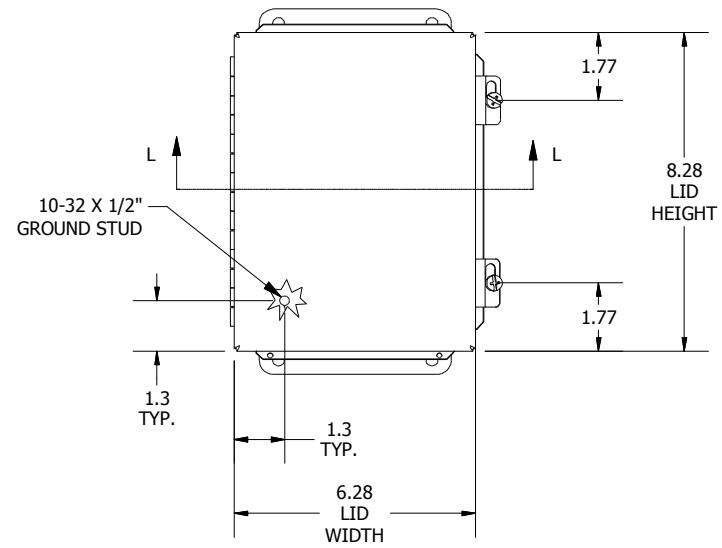


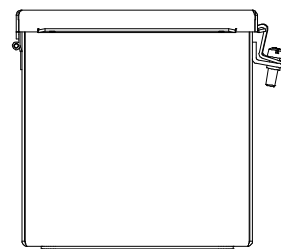
LEFT SIDE VIEW



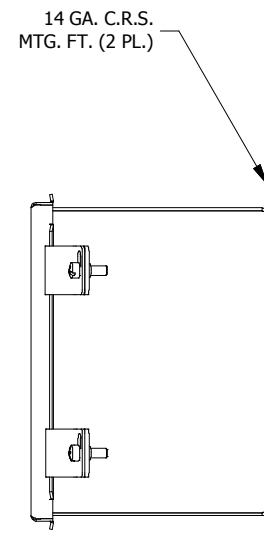
TOP VIEW



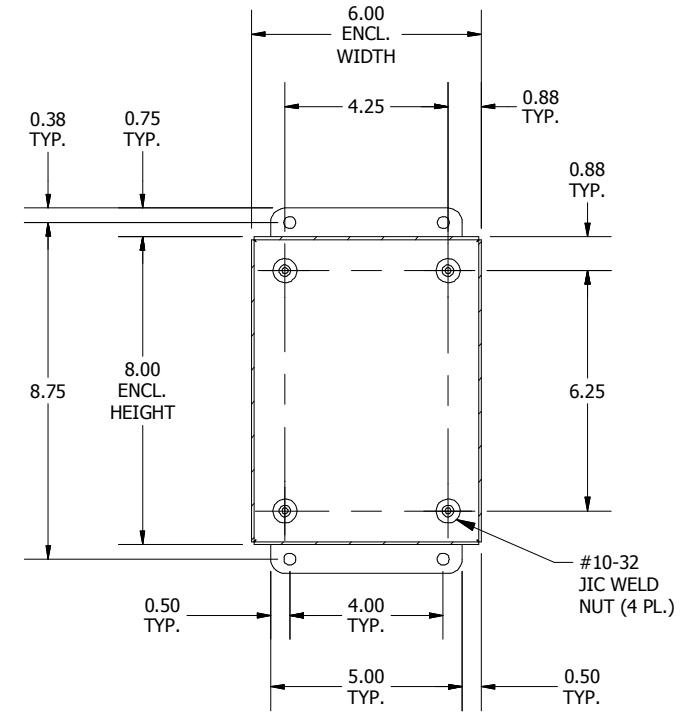
FRONT VIEW



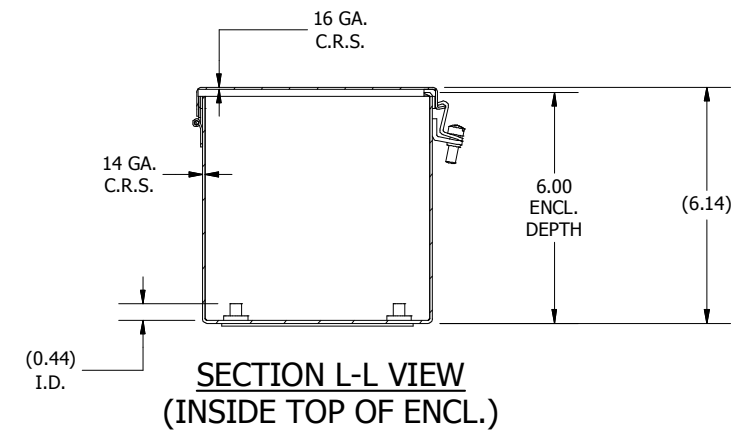
BOTTOM VIEW



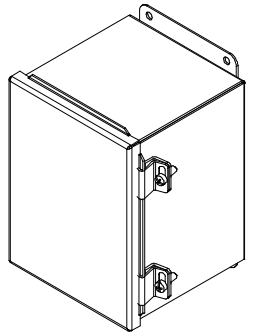
RIGHT SIDE VIEW



SECTION K-K  
(INSIDE BACK OF ENCLOSURE)



SECTION L-L VIEW  
(INSIDE TOP OF ENCL.)



PART#: B080606CH  
(DATA SUBJECT TO CHANGE WITHOUT NOTICE)

THIS DRAWING IS PROPERTY OF HUBBELL INC. WIEGMANN  
ALL INFORMATION IS PROPRIETARY AND NOT TO BE DUPLICATED