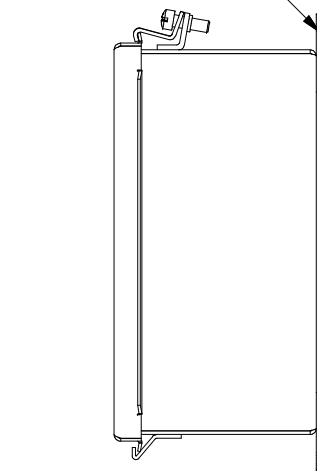


LEFT SIDE VIEW

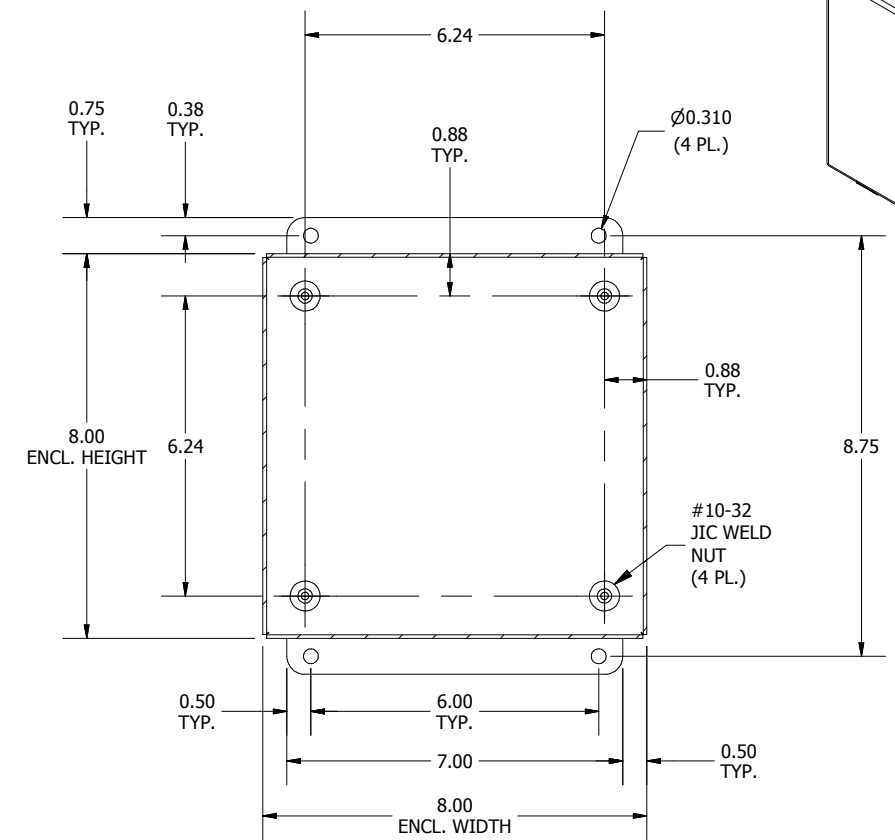
TOP VIEW

FRONT VIEW

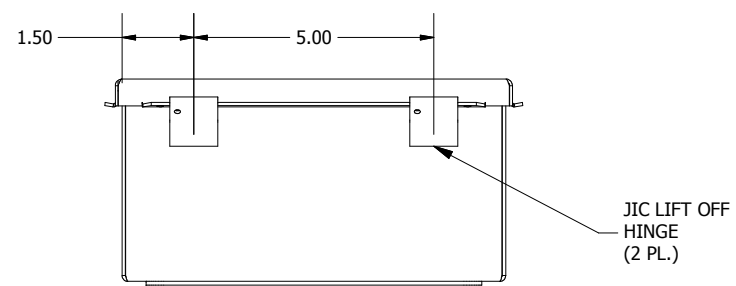
14 GA. C.R.S.
MTG. FT. SPOT
WELDED TO ENCL.
(2 PL.)



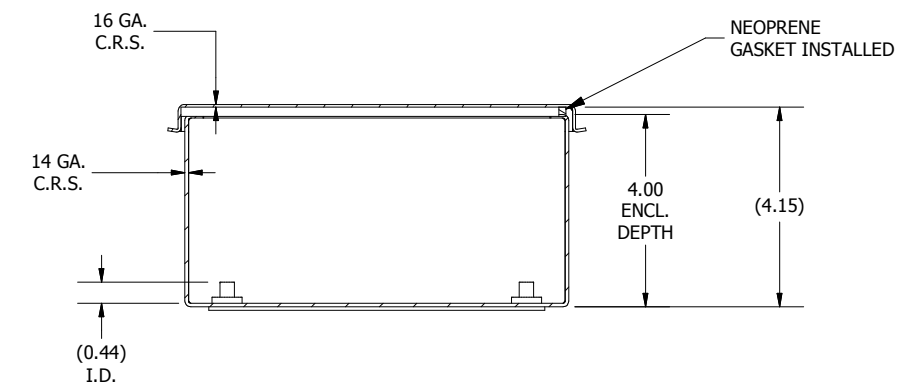
RIGHT SIDE VIEW



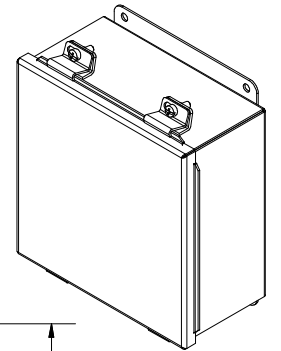
**SECTION M-M
(INSIDE BACK OF ENCLOSURE)**



BOTTOM VIEW



**SECTION N-N VIEW
(INSIDE TOP OF ENCL.)**



PART#: B080804
(DATA SUBJECT TO CHANGE WITHOUT NOTICE)

THIS DRAWING IS PROPERTY OF HUBBELL INC. WIEGMANN
ALL INFORMATION IS PROPRIETARY AND NOT TO BE DUPLICATED