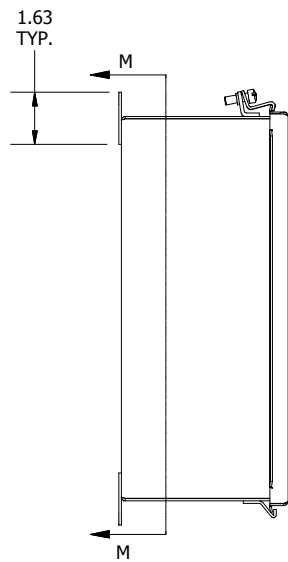
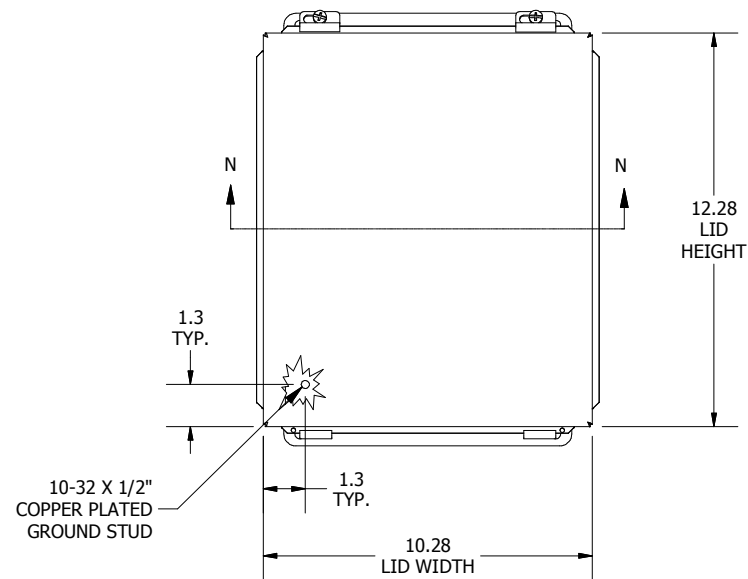


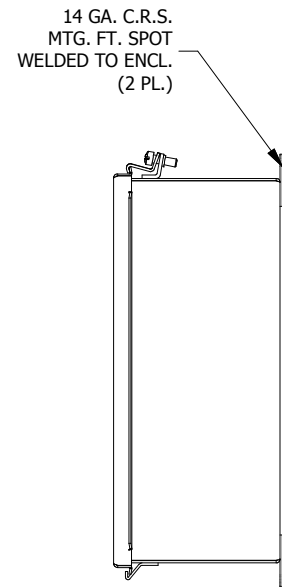
TOP VIEW



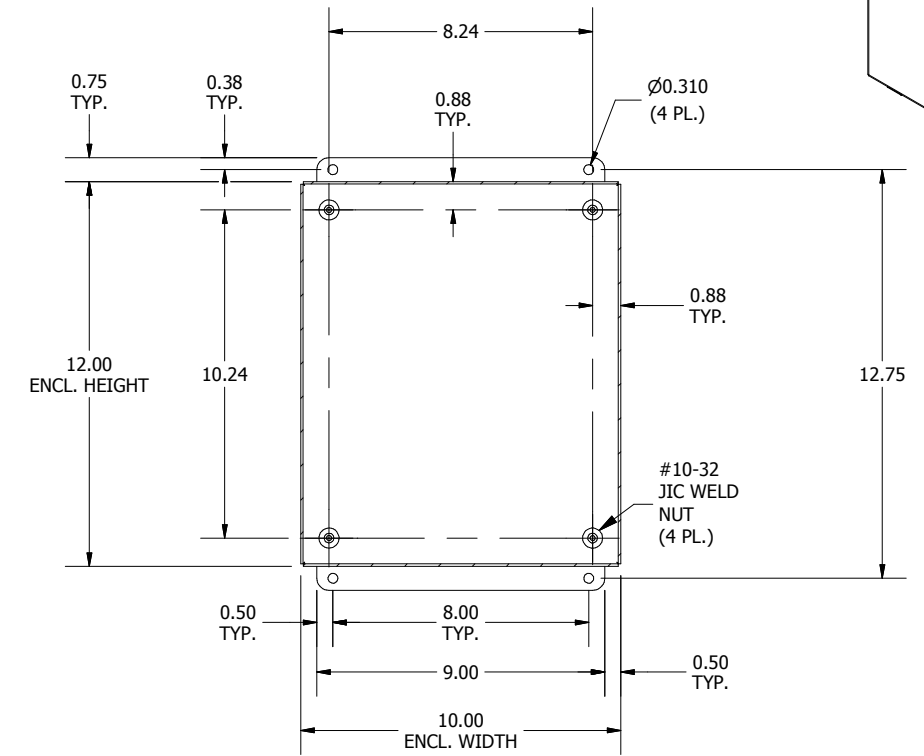
LEFT SIDE VIEW



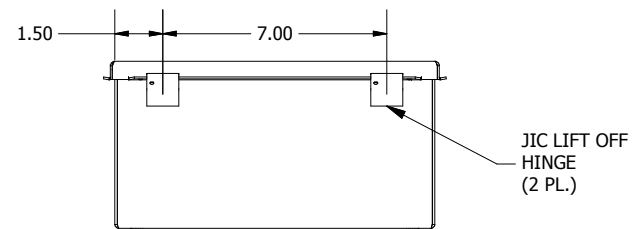
FRONT VIEW



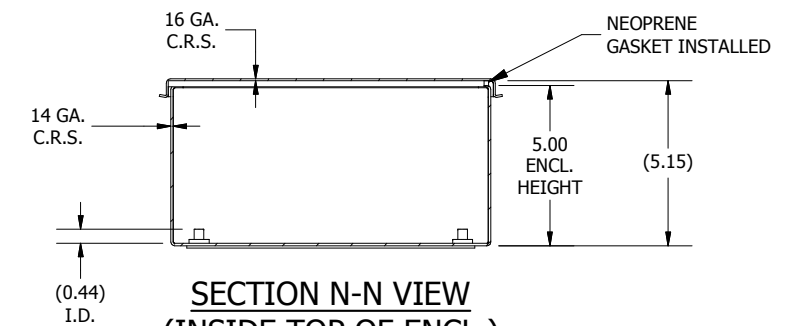
RIGHT SIDE VIEW



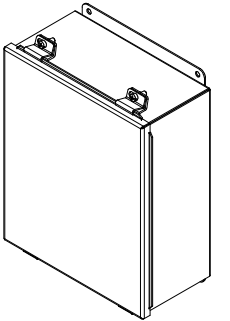
**SECTION M-M
(INSIDE BACK OF ENCLOSURE)**



BOTTOM VIEW



**SECTION N-N VIEW
(INSIDE TOP OF ENCL.)**



PART#: B121005
(DATA SUBJECT TO CHANGE WITHOUT NOTICE)

THIS DRAWING IS PROPERTY OF HUBBELL INC. WIEGMANN
ALL INFORMATION IS PROPRIETARY AND NOT TO BE DUPLICATED