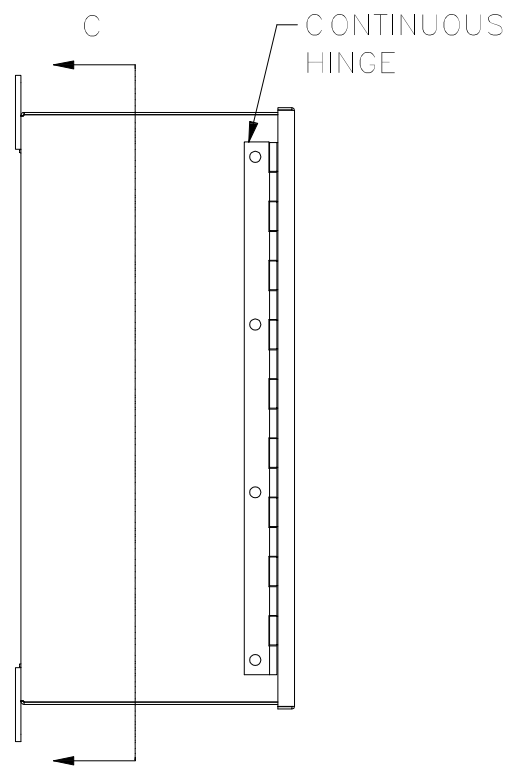
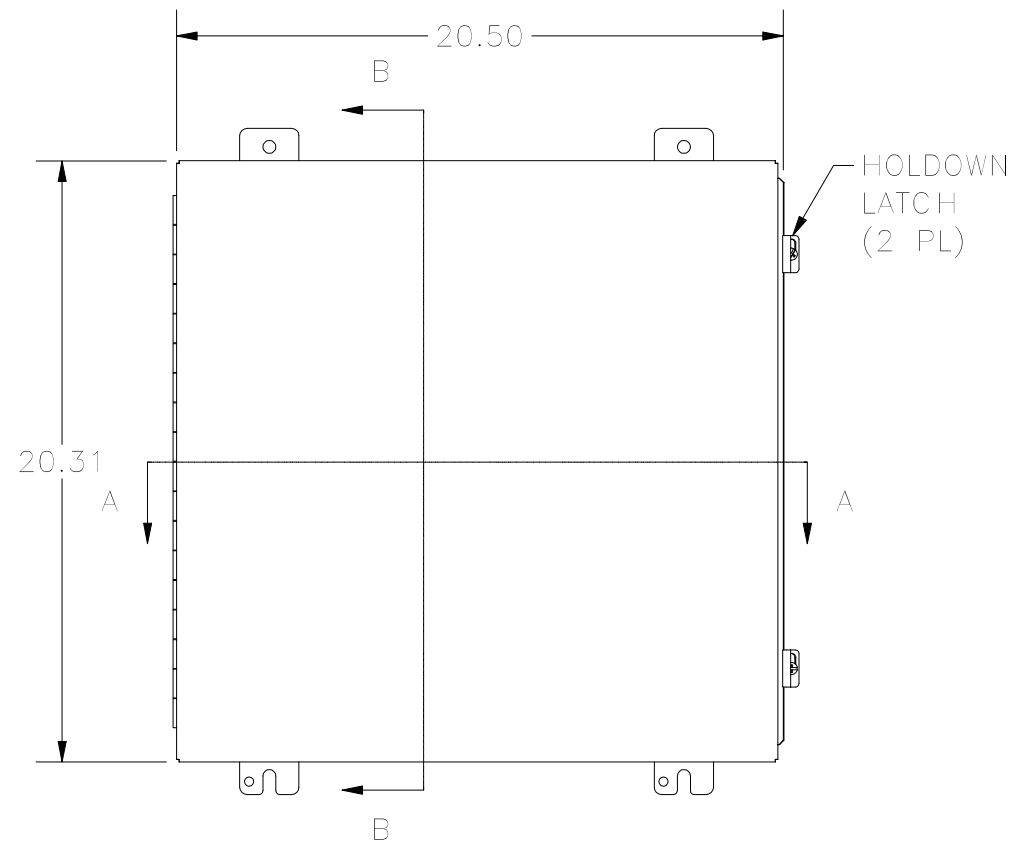


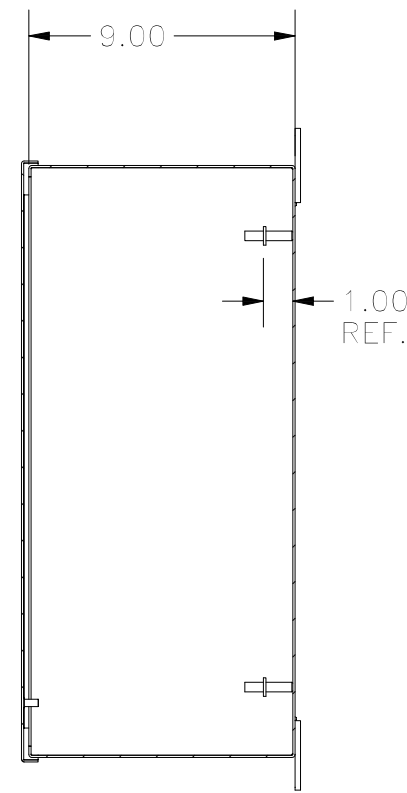
**SECTION A-A
INSIDE BOTTOM OF ENCLOSURE**



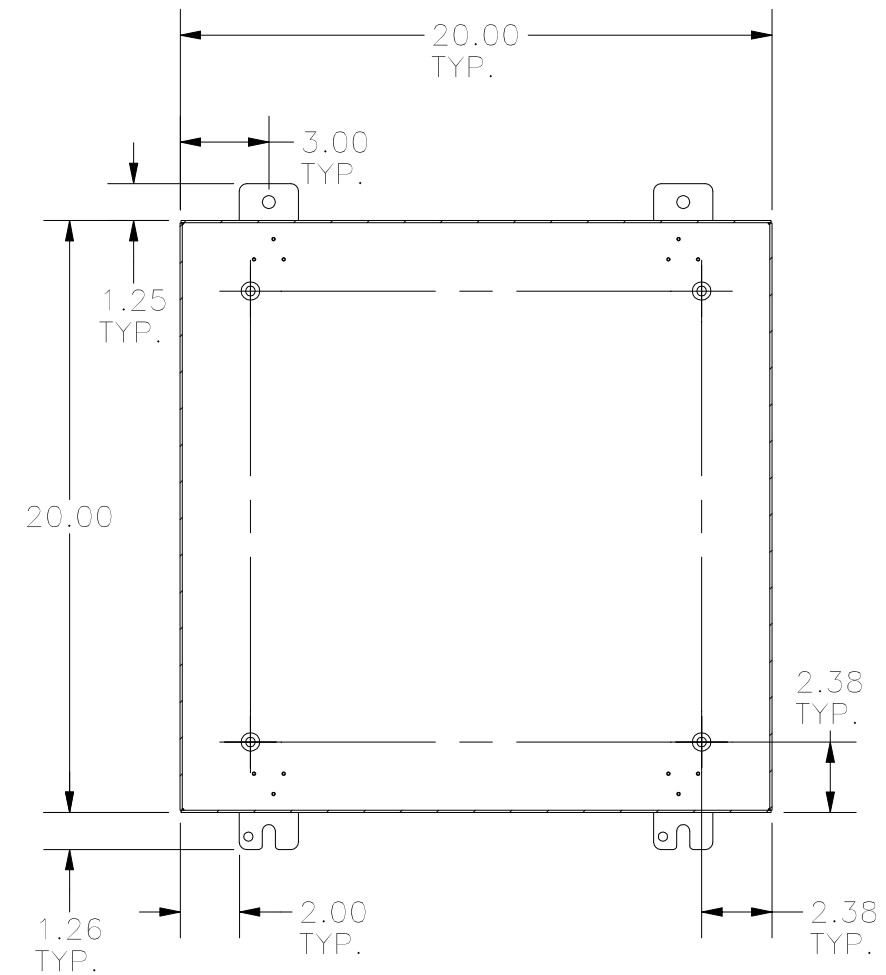
LEFT VIEW



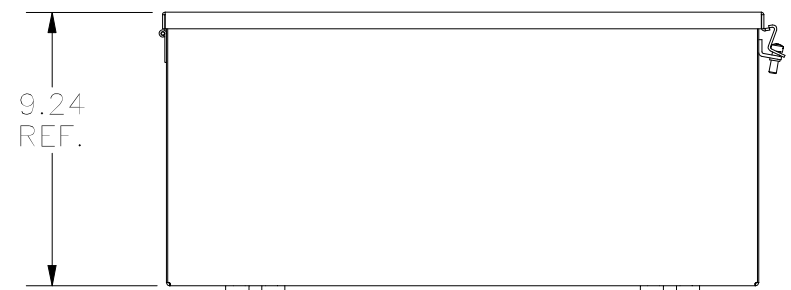
FRONT VIEW



**SECTION B-B
SIDE VIEW**



**SECTION C-C
BACK VIEW**



BOTOM VIEW

PART#: B202009CH
(DATA SUBJECT TO CHANGE WITHOUT NOTICE)

THIS DRAWING IS PROPERTY OF HUBBELL INC. WIEGMANN
ALL INFORMATION IS PROPRIETARY AND NOT TO BE DUPLICATED