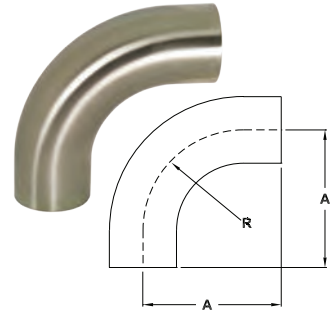


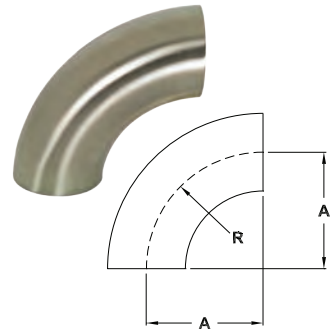
Weld Elbows

Polished 90° Weld Elbows with Tangents - B2S 

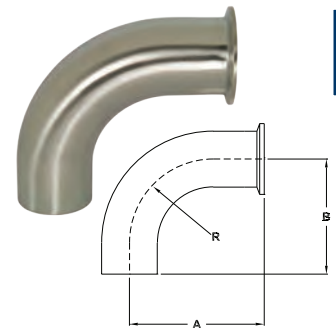
| Tube OD | Dimensions | | Wall Thickness | polished ID/OD 304 Stainless Steel | | polished ID/OD 316L Stainless Steel | |
|---------|------------|--------|----------------|---------------------------------------|----------------|--|----------------|
| | A | R | | Part # | Price/E | Part # | Price/E |
| 1/2" | 3.000" | 1.125" | .065" | --- | --- | B2S-R50P | \$72.75 |
| 3/4" | 3.000" | 1.125" | .065" | --- | --- | B2S-R75P | 72.75 |
| 1" | 2.062" | 1.500" | .065" | B2S-G100P | \$30.40 | B2S-R100P | 34.00 |
| 1 1/2" | 2.937" | 2.250" | .065" | B2S-G150P | 32.55 | B2S-R150P | 37.95 |
| 2" | 4.062" | 3.000" | .065" | B2S-G200P | 35.35 | B2S-R200P | 52.40 |
| 2 1/2" | 5.187" | 3.750" | .065" | B2S-G250P | 50.30 | B2S-R250P | 78.90 |
| 3" | 6.312" | 4.500" | .065" | B2S-G300P | 73.25 | B2S-R300P | 108.75 |
| 4" | 8.312" | 6.000" | .083" | B2S-G400P | 131.00 | B2S-R400P | 199.75 |

Polished 90° Weld Elbows - B2WCL 

| Tube OD | Dimensions | | Wall Thickness | polished ID/OD 304 Stainless Steel | | polished ID/OD 316L Stainless Steel | |
|---------|------------|---------|----------------|---------------------------------------|----------------|--|----------------|
| | A | R | | Part # | Price/E | Part # | Price/E |
| 1/2" | 1.125" | 1.125" | .065" | --- | --- | B2WCL-R50P | \$31.50 |
| 3/4" | 1.125" | 1.125" | .065" | --- | --- | B2WCL-R75P | 31.50 |
| 1" | 1.500" | 1.500" | .065" | B2WCL-G100P | \$16.35 | B2WCL-R100P | 19.70 |
| 1 1/2" | 2.250" | 2.250" | .065" | B2WCL-G150P | 20.90 | B2WCL-R150P | 26.35 |
| 2" | 3.000" | 3.000" | .065" | B2WCL-G200P | 28.55 | B2WCL-R200P | 36.30 |
| 2 1/2" | 3.750" | 3.750" | .065" | B2WCL-G250P | 45.90 | B2WCL-R250P | 60.10 |
| 3" | 4.500" | 4.500" | .065" | B2WCL-G300P | 65.30 | B2WCL-R300P | 83.40 |
| 4" | 6.000" | 6.000" | .083" | B2WCL-G400P | 125.00 | B2WCL-R400P | 152.00 |
| 6" | 9.000" | 9.000" | .109" | B2WCL-G600P | 460.75 | B2WCL-R600P | 498.75 |
| 8" | 12.000" | 12.000" | .120" | B2WCL-G800P | 1305.95 | B2WCL-R800P | 1479.60 |

Polished 90° Clamp x Weld Elbows - B2CM 

| Tube OD | Dimensions | | | Wall Thickness | polished ID/OD 304 Stainless Steel | | polished ID/OD 316L Stainless Steel | |
|---------|------------|--------|--------|----------------|---------------------------------------|----------------|--|----------------|
| | A | B | R | | Part # | Price/E | Part # | Price/E |
| 1" | 2.562" | 2.062" | 1.500" | .065" | B2CM-G100 | \$75.70 | B2CM-R100 | \$92.05 |
| 1 1/2" | 3.438" | 2.937" | 2.250" | .065" | B2CM-G150 | 75.70 | B2CM-R150 | 92.05 |
| 2" | 4.562" | 4.062" | 3.000" | .065" | B2CM-G200 | 84.90 | B2CM-R200 | 104.15 |
| 2 1/2" | 5.688" | 5.187" | 3.750" | .065" | B2CM-G250 | 111.10 | B2CM-R250 | 154.60 |
| 3" | 6.812" | 6.312" | 4.500" | .065" | B2CM-G300 | 147.75 | B2CM-R300 | 215.65 |
| 4" | 8.937" | 8.312" | 6.000" | .083" | B2CM-G400 | 253.25 | B2CM-R400 | 320.20 |

Polished 90° Plain Bevel Seat with Hex Nut x Weld Elbows - B2FP 

| Tube OD | Dimensions | | | Wall Thickness | polished ID/OD 304 Stainless Steel | |
|---------|------------|--------|--------|----------------|---------------------------------------|-----------------|
| | A | B | R | | Part # | Price/E |
| 1 1/2" | 3.656" | 2.937" | 2.250" | .065" | B2FP-G150 | \$132.65 |
| 2" | 4.812" | 4.062" | 3.000" | .065" | B2FP-G200 | 148.75 |
| 2 1/2" | 6.062" | 5.187" | 3.750" | .065" | B2FP-G250 | 234.80 |
| 3" | 7.218" | 6.312" | 4.500" | .065" | B2FP-G300 | 256.80 |

