

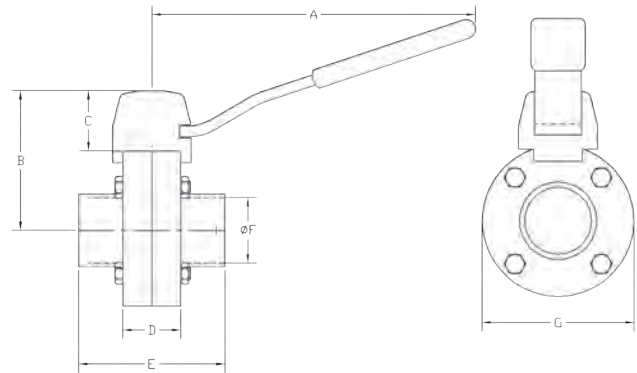
**Butterfly Valves**

## Weld End

Size	CF8M Stainless Steel with Silicone Seats		CF8M Stainless Steel with EPDM Seats		CF8M Stainless Steel with FKM Seats	
	Part #	Price/E	Part #	Price/E	Part #	Price/E
1"	<b>B5104S100BB-D</b>	<b>\$249.25</b>	<b>B5104E100BB-D</b>	<b>\$249.25</b>	<b>B5104V100BB-D</b>	<b>\$318.45</b>
1½"	<b>B5104S150BB-D</b>	<b>272.25</b>	<b>B5104E150BB-D</b>	<b>272.25</b>	<b>B5104V150BB-D</b>	<b>372.60</b>
2"	<b>B5104S200BB-D</b>	<b>293.60</b>	<b>B5104E200BB-D</b>	<b>293.60</b>	<b>B5104V200BB-D</b>	<b>398.65</b>
2½"	<b>B5104S250BB-D</b>	<b>368.15</b>	<b>B5104E250BB-D</b>	<b>368.15</b>	<b>B5104V250BB-D</b>	<b>483.05</b>
3"	<b>B5104S300BB-D</b>	<b>438.20</b>	<b>B5104E300BB-D</b>	<b>438.20</b>	<b>B5104V300BB-D</b>	<b>570.30</b>
4"	<b>B5104S400BB-D</b>	<b>580.85</b>	<b>B5104E400BB-D</b>	<b>580.85</b>	<b>B5104V400BB-D</b>	<b>746.45</b>



Size	Dimensions						
	A	B	C	D	E	F	G
1"	6.6"	2.9"	1.2"	1.2"	3.0"	0.9"	3.1"
1½"	6.6"	2.9"	1.2"	1.2"	3.0"	1.4"	3.1"
2"	6.6"	3.2"	1.2"	1.2"	3.0"	1.9"	3.7"
2½"	6.6"	3.4"	1.2"	1.2"	3.0"	2.4"	4.2"
3"	6.6"	3.7"	1.2"	1.2"	3.0"	2.9"	4.8"
4"	6.6"	4.7"	1.7"	1.5"	3.5"	3.8"	5.9"

Repair Kit for Clamp End and Weld End **Butterfly Valves****Features:**

- Repair kit contains:
  - (1) seat
  - (1) bushing
  - (1) split bushing
- for valves located on page 508-509

Valve Size	Red Silicone		Black EPDM		Black FKM	
	Part #	Price/E	Part #	Price/E	Part #	Price/E
1"	<b>B5104-RKS100</b>	<b>\$28.65</b>	<b>B5104-RKE100</b>	<b>\$28.65</b>	<b>B5104-RKV100</b>	<b>\$80.65</b>
1½"	<b>B5104-RKS150</b>	<b>30.85</b>	<b>B5104-RKE150</b>	<b>30.85</b>	<b>B5104-RKV150</b>	<b>117.05</b>
2"	<b>B5104-RKS200</b>	<b>33.90</b>	<b>B5104-RKE200</b>	<b>33.90</b>	<b>B5104-RKV200</b>	<b>121.45</b>
2½"	<b>B5104-RKS250</b>	<b>44.85</b>	<b>B5104-RKE250</b>	<b>44.85</b>	<b>B5104-RKV250</b>	<b>134.45</b>
3"	<b>B5104-RKS300</b>	<b>54.20</b>	<b>B5104-RKE300</b>	<b>54.20</b>	<b>B5104-RKV300</b>	<b>154.85</b>
4"	<b>B5104-RKS400</b>	<b>71.75</b>	<b>B5104-RKE400</b>	<b>71.75</b>	<b>B5104-RKV400</b>	<b>195.65</b>

N