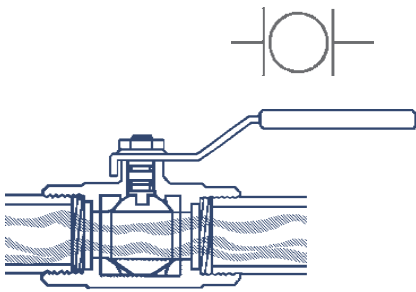
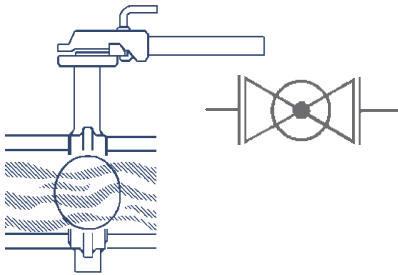


Valve Selection Guide



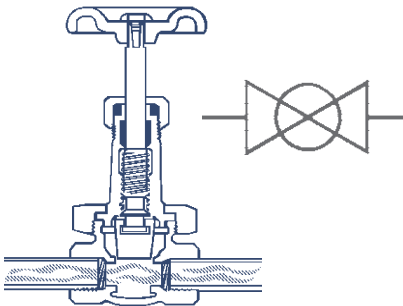
Ball Valve

- Can be used for on and off service or throttling
- When positive shut-off is necessary
- Where a low valve profile is necessary
- Only 90° rotation from open to fully closed (quick opening)
- Handle position is a quick indication of whether valve is open or closed.
- Full port ball valves do not resist flow



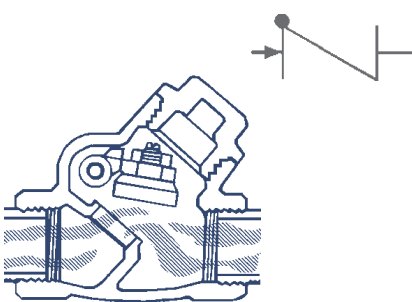
Butterfly Valve

- Where positive shut-off is necessary
- Primarily for fully open or fully closed applications
- May be used for throttling
- Only 90° rotation from open to fully closed
- Lightweight
- Easy to install
- Less costly than an Iron body gate valve



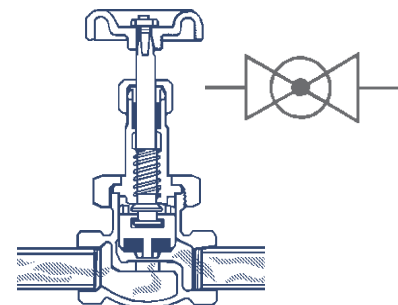
Gate Valve

- For fully open or fully closed service
NOT FOR THROTTLING
- For minimum line pressure drop
- For minimum fluid entrapment in the line
- For relatively infrequent operation



Check Valve

- To control the direction of flow and for quick, automatic reactions to flow change. Swing check valves are used when a minimum resistance to flow is required.
- Swing check valves are recommended for use in conjunction with gate valves. They should not be used in a rapid recycling system such as reciprocating pumps or air compressor service where they could cause chatter and damaging vibration.



Globe Valve

- For regulation (throttling) of flow
- For frequent operation; short stem travel reduces operator's time.
- Where some line resistance is acceptable

SAFETY

- Use Dixon couplings, retention devices and accessory products ***only*** for their intended service.
- All recommendations of the Hose Manufacturer, and the Coupling Manufacturer, must be employed with regards to **Size**, **Temperature**, **Application**, **Media**, and **Pressure** when selecting the components for a hose assembly.
- All finished hose assemblies should be tested in accordance with the **Rubber Manufacturers Association** recommendations.
- All hose assemblies should be thoroughly inspected prior to each use to insure they are undamaged, and properly coupled.
- Use safety clips on couplings, and King Safety Cables on assemblies where required by the manufacturer, as well as State and Federal regulations.
- Call Dixon (1-877-963-4966) for advice on couplings, retention devices, and accessories for your application.



Imported Brass Ball Valves

Female NPT x Female NPT

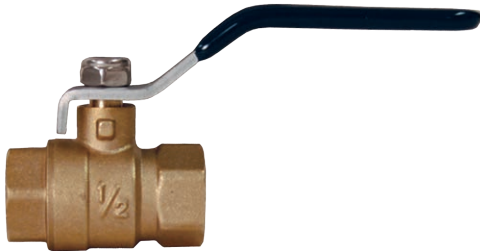


Features

- For control of air, water, oil and gas in hose or pipe lines. For other services, please contact the factory.
- Rated to **600 PSI WOG**; **100 PSI steam**
- Forged brass bodies
- Blow-out proof stems
- PTFE seats, seals and thrust washers
- Chrome-plated brass balls and plated steel handles
- Temperature range to **320°F**
- Underwriters, Factory Mutual, American Gas Association and Canadian Gas Association approved
- ¼" - 4" available in full port design (**FBV.., FBV...**)

Global Brass Ball Valves

Female NPT x Female NPT



Features

- For control of air, water, oil and gas in hose or pipe lines.
- Rated to **600 PSI WOG**
- Body: forged brass, UNS#C37700
- Adjustable stem packing nut
- Silicone free
- Temperature range to **300°F**
- Underwriters approved
- CSA (Canadian Standards Association) approved
- ½" - 2" available in full port design (**FBVG.., FBVG...**)

Imported Brass Ball Valves

Female NPT x Female NPT



Features

Standard design

- For control of air, water, oil and gas in hose or pipe lines. For other services, please contact the factory.
- Rated to **600 PSI WOG**; **100 PSI steam**
- Forged brass bodies
- Blow-out proof stems
- PTFE seats, seals and thrust washers
- Chrome-plated brass balls and plated steel handles
- Temperature range to **320°F**
- ½" - 2" available in standard port design (**BV.., BV...**)

Features



Full port design

- For control of air, water, oil and gas in hose or pipe lines. For other services, please contact the factory.
- Rated to **400 PSI WOG**; **125 PSI steam**
- Blow-out proof stems
- PTFE seats, double O-ring stem packing
- Chrome-plated brass ball
- Temperature range to **266°F**
- Underwriters approved
- ½" - 2" available in full port design (**FBVI.., FBVI...**)

Brass Mini Ball Valves

Female NPT x Female NPT



Features

- Rated to **450 PSI**
- Nickel plated brass body
- PTFE seats and Buna-N stem seal
- Blow-out proof stem
- Temperature range to **200°F**
- American Gas Association and Canadian Gas Association approved
- 1/8" - 1/2" available in standard port design (**MBV..**)
- 1/4" - 3/8" available in full port design (**MBV..**)



Safety Vented Ball Valves

Female NPT x Female NPT

Features

- For air service only
- Rated to **600 PSI WOG**; **150 PSI** saturated steam
- Lockable ball valves vent downstream air in accordance with new OSHA regulations for pneumatic systems.
- Brass valve
- Chromium plated ball
- RTFE seats and stuffing box ring
- Blow-out proof stem design
- Temperature range to **50°F - 200°F**
- Adjustable packing gland
- 1/4" - 1/2" available in full port design (**BBV..LV**)
- 3/4" - 2" available in standard port design (**BBV...LV**)

Sliding Lock Mechanism



Bronze "Deadman" Spring Return Handle Ball Valves

Female NPT x Female NPT

Features

- Rated to **600 PSI WOG**; **150 PSI** saturated steam
- Vacuum service to 29 inches Hg
- Threaded bronze valve
- Stainless steel lever
- Chromium plated ball
- RTFE seats and stuffing box ring
- Blow-out proof stem design
- Adjustable packing gland
- Spring return to close and open valve
- Operating torque approximately three times standard valve torque.
- 1/4" - 3/4" available in full port design (**BBV..SR**)
- 1" - 2" available in standard port design (**BBV...SR**)



Bronze Ball Valves with NPT Tap for Drain

Female NPT x Female NPT



Features

- Recommended for water and air service
- Rated to **125 PSI WOG**
- Bronze ball valves vent downstream air in accordance with OSHA regulations for pneumatic systems.
- Chromium plated ball
- RTFE seats and stuffing box ring
- Blow-out proof stem design
- Adjustable packing gland
- Auto-drain / Auto-vent
- Features a 1/4" NPT tapped port for additional options such as an air venting elbow or noise muffler.
- 1/4" - 1" available in full port design (**BBV-VT**)

3-Way Diversion Ball Valves

Female NPT x Female NPT



Features

Brass Valves

- Can be used with gasoline and diesel fuel
- Rated to **400 PSI WOG**
- Bronze body
- Chromium-plated ball
- RPTFE seats and stuffing box ring
- Stainless steel handle and nut with vinyl sleeve
- Adjustable packing gland
- Female NPT
- 1/2" - 1" available in full and standard port design (**BBV-TW**)

Features

Stainless Steel Valves

- Rated to **800 PSI WOG**
- Stainless steel body and ball
- Blow out proof stem
- RPTFE seats and stuffing box ring
- Stainless steel handle and nut with vinyl sleeve
- Adjustable packing gland
- Meets NACE MR-01-75
- Female NPT
- 1/2" - 1" available in full and standard port design (**SSBV-TW**)

3-Way Diverting Ball Valves

Female NPT x Female NPT x Female NPT



Features

- Rated to **400 PSI WOG**; **100 PSI** saturated steam
- Brass body
- Blow out proof stem
- Chrome plated brass ball
- PTFE seats, seals, and thrust washer
- Adjustable stem packing
- Temperature range to **320°F**
- Female NPT
- 1/2" - 2" available in standard port design (**BBV-DTW**)

Domestic Full Port Ball Valves

Female NPT x Female NPT

Features

- Rated to **600 PSI** WOG; **150 PSI** saturated steam
- Machined solid chrome-plated ball
- Multi-fill PTFE seats and seals
- Adjustable packing
- Blow-out proof stem design
- Bronze castings
- Vacuum service to 29 inches Hg
- ¼" - 4" available in full port design (**BBV..FP**, **BBV...FP**)



250 Lb. Steam Ball Valves

Female NPT x Female NPT

Features

- Recommended for use with fluids with widely varying temperatures and/or thermal expansion rates.
- Rated to **600 PSIG**; **250 PSI** saturated steam
- Vacuum service to 29 inches Hg
- Threaded bronze valve
- 316 stainless steel ball and stem
- Multi-filled RPTFE seats
- Multi-filled stuffing box ring
- High-temperature MTFE stem packing
- Blow-out proof stem design
- Adjustable packing gland
- Maximum temperature rating **406°F**
- ½" - 2" available in standard port design (**BBV..ST**)



Carbon Steel Ball Valves

Female NPT x Female NPT

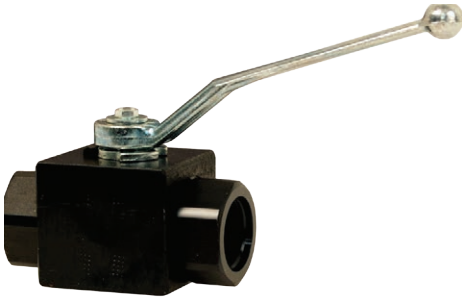
Features

- ¼" to 1" are rated to **2000 PSI** WOG
- 1¼" to 2" are rated to **1500 PSI** WOG
- Rated to **150 PSI** saturated steam
- For control of air, water, oil and gas in hose or pipe lines. For other services contact the factory.
- RPTFE seats and seals
- Blow-out proof stem design
- Adjustable packing gland
- Chromium plated ball
- 1/4" - 3/8" available in full port design (**IBV..**)
- 1/2" - 2" available in standard port design (**IBV...**)



High Pressure Full-Bore Hydraulic Ball Valves

Female NPTF x Female NPTF

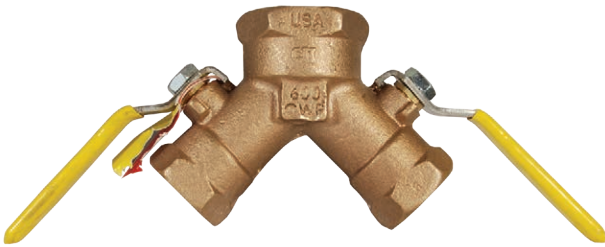


Features

- Blow-out proof stems
- Rugged carbon steel construction
- Viton® shaft seals
- ¼" - 2" available, (**HPBV...**)

Dual Y Valves

Female NPT x Female NPT



Features

- Dual action valve, ideal for compressor applications
- Female NPT threads
- Non-vented rated to **600 PSI** WOG
- Vented rated to **125 CWP** (Cold Working Pressure)
- 1" and 1¼" available in non-vented and vented flow
- Non-vented (**BBV...DW**) and vented (**BBV...DWV**)

Stainless Steel Ball Valves

Female NPT x Female NPT



Features

- For use in water, oil and gas
- ¼" - 2" rated to **1000 PSI** WOG (CWP);
2½" - 3" rated to **800 PSI** WOG (CWP); **100 PSI** saturated steam
- 316 stainless steel body, ball and stem
- PTFE seat, joint gasket and thrust washer
- Plastic cover on handle
- Blow-out proof stem design
- Temperature range **-60°F** to **450°F**
- ¼" - 3" available in full port design (**SSBV..**, **SSBV...**)

Stainless Steel Ball Valves

Female NPT x Female NPT

Features

- For use in water, oil and gas
- ¼" - 1" rated to **2000 PSI** (CWP);
1¼" - 2" rated to **1500 PSI** (CWP)
- Body conforms to ASTM A-351 Grade CF8M
- Ball is 316 stainless steel
- PTFE, glass filled seat
- Blow-out proof stem design
- ¼" - 2" available in reduced port design (**SSBV..RP**, **SSBV...RP**)



Locking Handle Stainless Steel Ball Valves

Female NPT x Female NPT

Features

- For use in water, oil and gas
- Rated to **1000 PSI** WOG; **100 PSI** saturated steam
- 316 stainless steel body, ball and stem
- PTFE seat, joint gasket and thrust washer
- Plastic cover on handle
- Blow-out proof stem design
- Temperature range **-60°F to 450°F**
- ¼" - 2" available in full port design (**SSLBV..**, **SSLBV...)**

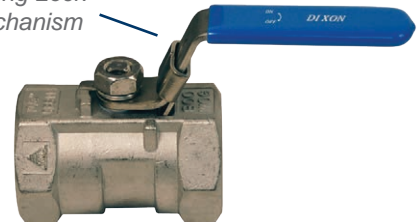
Sliding Lock
Mechanism



Features

- For use in water, oil and gas
- Rated to **800 PSI** WOG; **100 PSI** saturated steam
- 316 stainless steel body, ball and stem
- PTFE seat, joint gasket and thrust washer
- Plastic cover on handle
- Blow-out proof stem design
- Temperature range **-60°F to 450°F**
- ¼" - 2" available in standard port design (**SSLBV..SP**, **SSLBV...SP**)

Sliding Lock
Mechanism



Pneumatically Actuated Stainless 3 Piece Ball Valves

Full Port

Female NPT x Female NPT

Features

- 3-piece rack and pinion design
- Hard anodized aluminum body actuator
- NAMUR mounting
- Swing out in-line easy maintenance
- Self-adjusting stem packing with Belleville washers
- ¼" - 2" rated to **1000 PSI** WOG;
2½" - 3" rated to **800 PSI** WOG
- Media temperature range: **-40°F to 400°F**
- Minimum operating pressure: **70 PSI**
- Maximum operating pressure: **150 PSI**
- Material: 316 stainless steel



Pneumatically Actuated 2 Piece Ball Valves

Direct Mount - Full Port
Female NPT x Female NPT



Features

316 Stainless Steel Valves

- Precise stem alignment
- NAMUR interface
- Actuator temperature **-4°F to +185°F**
- Ball valve rated to **1,000 WOG/150 PSI** steam
- Ball valve maximum temperature to **366°F**
- Minimum operating pressure: **70 PSI**
- Maximum operating pressure: **150 PSI**
- Compact, no brackets required
- O-ring backed seats for lowest torque
- Double Viton® O-ring stem seals
- ISO 5211 pad



Features

Brass Valves

- Precise stem alignment
- NAMUR interface
- Actuator temperature **-4°F to +185°F**
- Ball valve rated to **600 WOG/150 PSI** steam
- Ball valve maximum temperature to **366°F**
- Operating air pressure: **80 PSI** minimum, **120 PSI** maximum
- Minimum operating pressure: **40 PSI**
- Compact, no brackets required
- O-ring backed seats for lowest torque
- Double Viton® O-ring seals
- ISO 5211 pad

Pneumatically Actuated 3-Way L Port Ball Valves

Direct Mount - Standard Port
Female NPT x Female NPT



Features

316 Stainless Steel Valves

- Precise stem alignment
- Diverting valve only
- 4-seat design - can use any port as an inlet
- ¼" - 1" rated to **1,000 WOG**
- 1¼" - 2" rated to **800 WOG**
- Live loaded stem seal
- Temperature to **400°F**
- Minimum operating pressure: **70 PSI**
- Maximum operating pressure: **150 PSI**
- ISO 5211 actuator pad

Pneumatically Actuated 3-Way L Port Ball Valves

Direct Mount - Standard Port
Female NPT x Female NPT

Features

Brass Valves

- Precise stem alignment
- Diverting valve only
- 4 seat design - can use any port as an inlet
- O-ring backed seats for lowest torque
- Double Viton® O-ring stem seals
- Temperature to **350°F**
- Minimum operating pressure: **40 PSI**
- Maximum operating pressure: **150 PSI**
- 90° with off position
- **400 WOG - 100 PSI** steam
- ISO 5211 actuator pad



Pneumatically Actuated 3-Way T Port Ball Valves

Direct Mount - Standard Port
Female NPT x Female NPT

Features

316 Stainless Steel Valves

- Precise stem alignment
- Diverting valve only
- 4-seat design - can use any port as an inlet
- ¼" - 1" rated to **1,000 WOG**
- 1¼" - 2" rated to **800 WOG**
- Live loaded stem seals
- Minimum operating pressure: **70 PSI**
- Temperature to **400°F**
- Can be used as a shut-off
- ISO 5211 actuator pad
- 90° and 180° flow paths



Features

Brass Valves

- Precise stem alignment
- Diverting valve only
- 90° and 180° flow paths
- O-ring backed seats for lowest torque
- Double Viton® stem seals
- **400 WOG - 100 PSI** steam
- Minimum operating pressure: **40 PSI**
- ISO 5211 actuator pad
- 4-seat design - can use any port as an inlet
- Can be used as a shut-off

Electrically Actuated Ball Valves

Dual Acting - Full Port - Electrical On/Off Control (115 volts)
Female NPT x Female NPT



Features

316 Stainless Steel Valves

- 3-piece rack and pinion design
- Hard anodized aluminum body
- NAMUR mounting
- Swing out in-line easy maintenance
- Self-adjusting stem packing with Belleville washers
- 3" clearance required for cover removal
- ¼" - 2" rated to **1000 PSI WOG**;
2½" - 3" rated to **800 PSI WOG**
- Media temperature range: **-40°F to 400°F**



Features

Brass Valves

- 2-piece
- Direct mount for low-profile, cost efficient applications
- NAMUR mounting
- Manual override
- Nema 4 housing
- 3" clearance required for cover removal
- Rated to **600 PSI WOG**; **100 PSI Steam**
- Media temperature: **300°F**

Actuated Valve Accessories

3 and 4 Way Combination NAMUR Solenoids

- CSA (Canadian Standards Association) and Underwriters certified



Mounting type	Part #	Description
Nema 4X	XSO-4S4D-0A	115 volts, alternating current
Nema 4X	XSO-4S4B-0A	24 volts, direct current



Limit Switches

- Beacon indicator
- (2) SPDT electro-mechanical switches
- Direct mount

Mounting type	Part #
Nema 4X	XLS-B4A0120P



mounting kit

Pneumatic Positioners

- 3-15 PSI modulating signal for proportional control
- Mounting hardware included

Mounting type	Part #
Nema 4X	XPO-P4F



mounting kit



Electro-Pneumatic Positioners

- Electronic 4-20ma modulating signal for proportional control
- Mounting hardware included

Mounting type	Part #
Nema 4X	XPO-E4F



mounting kit



Compact High Pressure Grooved End Ball Valves

Grooved End x Grooved End



Features

- Suitable for many applications in high pressure pipeline systems, including petroleum, process systems, water, oil and gas.
- Rated to **600 PSI**
- Epoxy coated high strength ductile iron body
- 316 stainless steel ball and stem
- 15% glass reinforced PTFE seats
- Temperature rated to **450°F**

Iron Butterfly Valves

Threaded Lug Style

NOT RECOMMENDED FOR STEAM SERVICE

Pictures are representative, different size valves have different hole patterns.



Features

- For use between two 150 lb. flanges
- Will lock "open" or "closed"
- Rated to **200 PSI**
- Ductile iron body, ASTM A126, class B
- Aluminum bronze disc, ASTM B148, ALY.954
- Buna-N seal and stem seals and liner
- PTFE bushing
- Stainless steel top and bottom stems

Iron Butterfly Valves

Wafer Style



Features

- For use between two 150 lb. flanges
- Will lock "open" or "closed"
- Rated to **200 PSI**
- Ductile iron body, ASTM A126, class B
- Aluminum bronze disc, ASTM B148, ALY.954
- Buna-N seal and stem seals and liner
- PTFE bushing
- Stainless steel top and bottom stems



Features

- For use between two 150 lb. flanges
- Will lock "open" or "closed"
- Rated to **200 PSI**
- Ductile iron body, ASTM A126, class B
- Stainless steel disc, ASTM A351, GR. CF-8M
- Buna-N seal and stem seals and liner
- PTFE bushing
- Stainless steel top and bottom stems

Flow Control Valves

Series MV

Features

With these high-precision metering and shutoff valves, you can readily make fine adjustments and reset with the exclusive color code 5000 that shows when you reach the desired setting.

- Body components are precision-turned from solid barstock
- All models have 416 stainless steel needles
- Steel - maximum operating pressure: **5000 PSI**

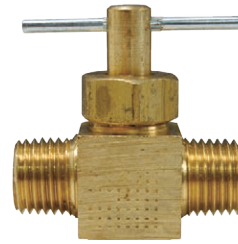


Brass Needle Valves

NPT x NPT

Features

- Metal-to-metal seats allow positive sealing and flow adjustment
- Designed for air and water applications
- Maximum working pressure is **150 PSI**



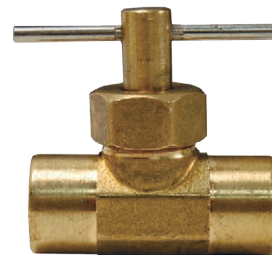
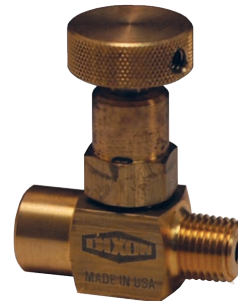
Mini Needle Valves

NPT x NPT

Features

Mini needle valves are available in a variety of materials, and handle options. All are equipped with both a Viton® O-ring seal and a PTFE back-up ring below the threads to protect the mini valve from corrosion and galling. The stem threads are rolled for strength and ease of operation, and the metal-to-metal hard seat design is 100% helium leak tested to 1×10^{-4} ml/s at 200 PSI on each mini valve.

- Orifice size: 0.172"
- Flow coefficient: 0.42
- O-ring seal: Viton®
- Back-up ring: PTFE
- 1/8" and 1/4" available in knurled knob and T design handles,



Brass Gate Valves

Female NPT x Female NPT



Features

- Rated **200 PSI** non-shock cold water, oil or gas
- Brass body
- Female NPT threaded ends
- Threaded bonnet
- Integral seat
- Adjustable packing nut
- Non-rising stem
- Solid wedge disc
- Iron handwheel
- 100% factory tested

Self-Closing Gate Valves

Male NPT



Features

- Features a gray iron body, brass sliding gate and machine lapped sealing surface.
- Gate closes automatically when handle is released, cleaning discharge surface.
- Ideal for dispensing viscous liquids such as oil, grease, paint, varnish and syrups from drums and tanks.
- Can be padlocked

Malleable Iron Drum Gate Valves

Male NPT

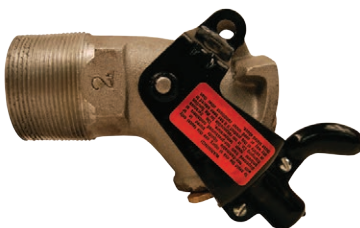


Features

- Manually operated
- Ideal for drawing non-flammable liquids from drums and tanks
- Iron body
- Machined and lapped brass faceplate designed for oval discharge to ensure no splashing and smooth operation.
- Black Japanned finish
- Can be padlocked

Aluminum Drum Gate Valve

Male NPT



Features

- Lightweight, durable aluminum body provides improved corrosion resistance for certain fluids.
- Sturdy 2" handle is stamped metal with black enamel finish.
- Can be padlocked

Compression Bibb Faucets

Male NPT

Features

- Rough brass finish
- Nozzle end is GHT
- *Do not use light oil*



Drum Faucets

Features

- Gold polyethylene
- Faucets are not to be used in applications where temperatures exceed **140°F (60°C)**
- No wrench needed for screwing into drum opening
- 2" faucet is shipped with a gasket; the 3/4" does not require a gasket



Bronze Drum Plug Wrench

Features

- Sparkproof, natural finish is safe around flammables
- Offset handle design reduces user stress and minimizes knuckle injury.



Single Union Polypropylene Ball Valves

Female NPT x Female NPT



Features

- Rated to **125 PSI** at **70°F**
- Corrosion resistant polypropylene
- PTFE ball seats
- EPDM O-rings
- FDA approved material
- ½" - 3" available (**SUBV...**)

Bolted Polypropylene Ball Valves

Female NPT x Female NPT



Features

- Rated to **125 PSI** at **70°F**
- Chemically-resistant, reinforced polypropylene
- FDA approved material
- PTFE ball seats
- EPDM O-ring body seals, Viton® O-ring stem seals
- 304 stainless steel nuts and bolts
- ½" - 4" available (**PVFP...**)

Compact Bolted Polypropylene Ball Valves



Features

- Rated to **125 PSI** at **70°F**
- Full port
- Chemically-resistant, reinforced polypropylene
- FDA approved material
- PTFE ball seats
- EPDM O-ring body seals, Viton® O-ring stem seals
- 304 stainless steel nuts and bolts
- 2" available (**PVFPS...**)

Bolted Polypropylene Ball Valves with Nozzles

Female NPT x Nozzle

Features

- Rated to **125 PSI** at **70°F**
- Chemically-resistant, reinforced polypropylene
- PTFE ball seat
- EPDM O-ring body seals, Viton® O-ring stem seals
- 304 stainless steel nuts and bolts
- Body-to-flange design allows for low torque operation
- FDA approved material
- 1½" - 2" available (*PVFPN...*)



45° Single Union Polypropylene Nozzle Valves

Features

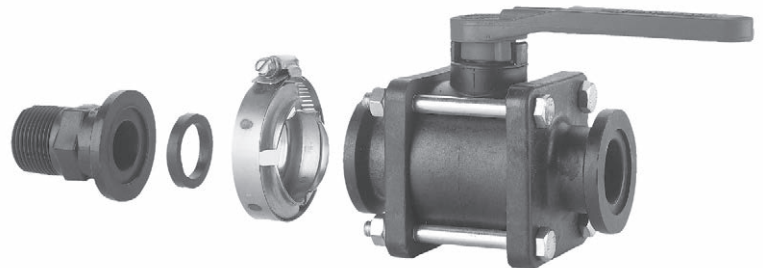
- Rated to **125 PSI** at **70°F**
- Corrosion resistant polypropylene
- PTFE ball seats
- EPDM O-rings
- FDA approved material
- 1" available (*SUBVN100*)



Flange Ball Valves and Fittings

Features

- Quick and easy assembly, no pipe or sealant necessary
- Positive seals
- Easy on/off hose connections
- 360° orientation
- Valves and fittings are manufactured from glass re-inforced polypropylene for strength and durability — will not rust or corrode.



Recommended operating pressure for valves:

- **100 PSI** at 0°F
- **125 PSI** at 70°F
- **70 PSI** at 150°F

Accessories:

- stainless steel worm screw clamps
- EPDM flange gaskets
- assorted flanged fittings

Through its divisions and affiliated companies, Dixon is recognized as the premier manufacturer and supplier of hose fittings and accessories spanning a wide range of industrial uses. Dixon's reach includes products for food, dairy processing, beverage and brewery, mobile tankers, mining, construction, chemical processing, petroleum, oilfields, refining and manufacturing.

dixonvalve.com • *Customer Service:* **877.963.4966**



The Right Connection™

Dixon Valve

800 High Street, Chestertown, MD 21620

ph: 877.963.4966

fx: 800.283.4966



Dixon Customer Service



Facebook Page



YouTube Videos