



Weld End Blue Protection Covers - BCW

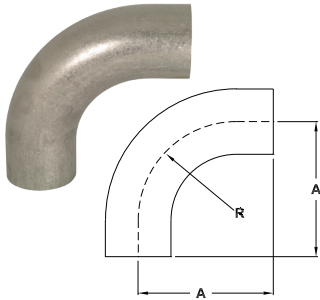
Feature:

- Use these covers to protect all weld ends on fittings and valves.

Size	Vinyl Plastic	
	Part #	Price/E
1/2"	BCW-050	\$0.41
3/4"	BCW-075	0.70
1"	BCW-100	0.95
1 1/2"	BCW-150	1.18
2"	BCW-200	1.43
2 1/2"	BCW-250	2.13
3"	BCW-300	2.49
4"	BCW-400	3.92
6"	BCW-600	12.96
8"	BCW-800	23.27

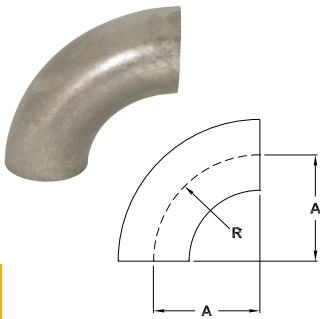
Unpolished Elbows

Unpolished 90° Weld Elbows with Tangents - B2S



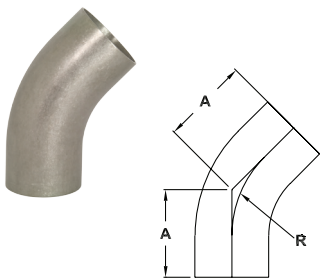
Tube OD	Dimensions		Wall Thickness	unpolished 304 Stainless Steel		unpolished 316L Stainless Steel	
	A	R		Part #	Price/E	Part #	Price/E
3/4"	3.000"	1.125"	.065"	---	---	B2S-R75U	\$40.96
1"	2.062"	1.500"	.065"	B2S-G100U	\$11.86	B2S-R100U	13.58
1 1/2"	2.937"	2.250"	.065"	B2S-G150U	19.02	B2S-R150U	23.40
2"	4.062"	3.000"	.065"	B2S-G200U	29.21	B2S-R200U	37.37
2 1/2"	5.187"	3.750"	.065"	B2S-G250U	41.45	B2S-R250U	55.71
3"	6.312"	4.500"	.065"	B2S-G300U	64.56	B2S-R300U	81.60
4"	8.312"	6.000"	.083"	B2S-G400U	118.90	B2S-R400U	108.03

Unpolished 90° Weld Elbows - B2WCL



Tube OD	Dimensions		Wall Thickness	unpolished 304 Stainless Steel		unpolished 316L Stainless Steel	
	A	R		Part #	Price/E	Part #	Price/E
1/2"	1.125"	1.125"	.065"	---	---	B2WCL-R50U	\$16.60
3/4"	1.125"	1.125"	.065"	---	---	B2WCL-R75U	16.93
1"	1.500"	1.500"	.065"	B2WCL-G100U	\$7.42	B2WCL-R100U	8.47
1 1/2"	2.250"	2.250"	.065"	B2WCL-G150U	12.24	B2WCL-R150U	14.94
2"	3.000"	3.000"	.065"	B2WCL-G200U	19.02	B2WCL-R200U	23.77
2 1/2"	3.750"	3.750"	.065"	B2WCL-G250U	25.18	B2WCL-R250U	33.97
3"	4.500"	4.500"	.065"	B2WCL-G300U	37.37	B2WCL-R300U	47.56
4"	6.000"	6.000"	.083"	B2WCL-G400U	78.14	B2WCL-R400U	57.80
6"	9.000"	9.000"	.109"	B2WCL-G600U	320.50	B2WCL-R600U	441.66
8"	12.000"	12.000"	.120"	B2WCL-G800U	577.82	B2WCL-R800U	781.42

Unpolished 45° Long Weld Elbows with Tangents - B2KS



Tube OD	Dimensions		Wall Thickness	unpolished 304 Stainless Steel		unpolished 316L Stainless Steel	
	A	R		Part #	Price/E	Part #	Price/E
3/4"	2.250"	1.125"	.065"	---	---	B2KS-R75U	\$40.06
1"	1.188"	1.500"	.065"	B2KS-G100U	\$11.60	B2KS-R100U	13.60
1 1/2"	1.625"	2.250"	.065"	B2KS-G150U	16.29	B2KS-R150U	26.28
2"	2.312"	3.000"	.065"	B2KS-G200U	25.13	B2KS-R200U	31.93
2 1/2"	3.000"	3.750"	.065"	B2KS-G250U	34.65	B2KS-R250U	49.60
3"	3.688"	4.500"	.065"	B2KS-G300U	50.28	B2KS-R300U	68.19
4"	4.812"	6.000"	.083"	B2KS-G400U	47.03	B2KS-R400U	57.80