

BALDOR® • RELIANCE 

Product Information Packet

BL3507

.75HP,1725RPM,1PH,60HZ,56,BRAKE,3428LC

Part Detail							
Revision:	V	Status:	PRD/A	Change #:		Proprietary:	No
Type:	AC	Elec. Spec:	34WGY094	CD Diagram:	CD0055	Mfg Plant:	
Mech. Spec:	34G458	Layout:	34LYG458	Poles:	04	Created Date:	
Base:	RG	Eff. Date:	06-29-2018	Leads:	6#18		

Specs			
Catalog Number:	BL3507	Insulation Class:	F
Enclosure:	TEFC	Inverter Code:	Not Inverter
Frame:	56	KVA Code:	J
Frame Material:	Steel	Lifting Lugs:	No Lifting Lugs
Output @ Frequency:	.750 HP @ 60 HZ	Locked Bearing Indicator:	No Locked Bearing
Synchronous Speed @ Frequency:	1800 RPM @ 60 HZ	Motor Lead Quantity/Wire Size:	6 @ 18 AWG
Voltage @ Frequency:	230.0 V @ 60 HZ	Motor Lead Exit:	Ko Box
	115.0 V @ 60 HZ	Motor Lead Termination:	Flying Leads
XP Class and Group:	None	Motor Type:	3428LC
XP Division:	Not Applicable	Mounting Arrangement:	F1
Agency Approvals:	CSA	Power Factor:	78
	UR	Product Family:	General Purpose
Auxillary Box:	No Auxillary Box	Product Type:	BRAKE MOTOR
Auxillary Box Lead Termination:	None	Pulley End Bearing Type:	Ball
Base Indicator:	Rigid	Pulley Face Code:	Standard
Bearing Grease Type:	Polyrex EM (-20F +300F)	Pulley Shaft Indicator:	Standard
Blower:	None	Rodent Screen:	None
Current @ Voltage:	4.200 A @ 230.0 V	Shaft Extension Location:	Pulley End

	5.400 A @ 208.0 V	Shaft Ground Indicator:	No Shaft Grounding
	8.400 A @ 115.0 V	Shaft Rotation:	Reversible
Design Code:	N	Shaft Slinger Indicator:	No Slinger
Drip Cover:	No Drip Cover	Speed Code:	Single Speed
Duty Rating:	CONT	Motor Standards:	NEMA
Electrically Isolated Bearing:	Not Electrically Isolated	Starting Method:	Direct on line
Feedback Device:	NO FEEDBACK	Thermal Device - Bearing:	NONE (OLD)
Front Face Code:	Brake Mounting	Thermal Device - Winding:	None
Front Shaft Indicator:	None	Vibration Sensor Indicator:	No Vibration Sensor
Heater Indicator:	No Heater	Winding Thermal 1:	None
		Winding Thermal 2:	None

Nameplate NP1256L										
CAT.NO.	BL3507									
SPEC.	34G458Y094-C									
HP	.75									
VOLTS	115/230									
AMP	8.4/4.2									
RPM	1725									
FRAME	56				HZ	60			PH	1
SER.F.	1.25		CODE	J	DES	N		CLASS	F	
NEMA-NOM-EFF	72		PF	78						
RATING	40C AMB-CONT									
CC								USABLE AT 208V	5.4	
DE	6203				ODE	6203				
ENCL	TEFC		SN							
	SFA 10/5									

Parts List		
Part Number	Description	Quantity
SA079728	SA 34G458Y094-C	1.000 EA
RA073153	RA 34G458Y094-C	1.000 EA
OC3020F12SP	CAPACITORS 20 MFD 370 VAC	1.000 EA
EC1270A02SP	ELEC CAP, 270-324 MFD, 125V, 1.48D X 3.	1.000 EA
NS2512A01	INSULATOR, CONDUIT BOX X	1.000 EA
34CB3002A	CB CAST W/.88 DIA HOLE	1.000 EA
34GS1029A01	GASKET, CONDUIT BOX	1.000 EA
51XB1016A07	10-16 X 7/16 HXWSSLD SERTYB	2.000 EA
11XW1032G06	10-32 X .38, TAPTITE II, HEX WSHR SLTD U	1.000 EA
34EP3900T09	FR ENDPLATE, MACH	1.000 EA
HA2001A01	SPACER, .218 ID X .250 LG	2.000 EA
11XT0832A12	8-32 X 3/4 HX WSHD SLTD, TY23	2.000 EA
34CB3801	CAPACITOR BOX, DIE CAST	1.000 EA
34GS3002	GASKET, CAPACITOR BOX	1.000 EA
51XB1214A08	12-14 X 1/2HX WS SL SR TYBX	2.000 EA
HW5100A03	WAVY WASHER (W1543-017)	1.000 EA
34EP3102A01SP	FR ENDPLATE, MACH	1.000 EA
XY1032A02	10-32 HEX NUT DIRECTIONAL SERRATION	4.000 EA
WD4006C05	ORANGE, WIRENUT, G-B #13-003 ORG SIZE 73B	2.000 EA
HW2500A13	KEY, USA #605, WOODRUFF	1.000 EA
18XN2520A08	1/4-20X1/2 FLAT HD SLTD X	2.000 EA
34FN3002A01SP	EXTERNAL FAN, PLASTIC, .637/.639 HUB W/	1.000 EA
34FH4002A03SP	IEC FH NO GREASER W/.88 DIA SHAFT HOLE,	1.000 EA
51XW1032A06	10-32 X .38, TAPTITE II, HEX WSHR SLTD S	3.000 EA

Parts List (continued)		
Part Number	Description	Quantity
34CB4517	CB LID 4 MTG HOLES .22 DIA STAMPED, FOR	1.000 EA
34GS1031A01	GASKET, FLAT CONDUIT BOX LID (LEXIDE)	1.000 EA
51XW0832A07	8-32 X .44, TAPTITE II, HEX WSHR SLTD SE	4.000 EA
HW2501D13	KEY, 3/16 SQ X 1.375	1.000 EA
HA7000A04	KEY RETAINER 0.625 DIA SHAFTS	1.000 EA
MG1000G27	MED CHARCOAL METALLIC GREY 400-0096	0.014 GA
85XU0407S04	4X1/4 U DRIVE PIN STAINLESS	2.000 EA
LB1185	LABEL,BRAKE CONNECTION (ON ROLLS)	1.000 EA
34GS5003A01	FOAM SLEEVE, ID = 2 1/16" X 4 3/8"	2.000 EA
SP5056A52	MODEL 35 LC STATIONARY SWITCH LEAD ASSY	1.000 EA
HA3100A45	THRUBOLT 10-32 X 8.875	4.000 EA
48BK7101BP-	1-048-171-01-BP- BRAKE	1.000 EA
LC0001A01	CONN LABEL / WARNING LABEL (LC0001 / LB1	1.000 EA
NP1256L	ALUM UL CSA CC INDUSTRIAL MOTOR A60	1.000 EA
35PA1005	PKG GRP, BLANK PK1012	1.000 EA
MN416A01	TAG-INSTAL-MAINT no wire (1200/bx) 5/18	1.000 EA

AC Induction Motor Performance Data
Record # 7788 - Typical performance - not guaranteed values

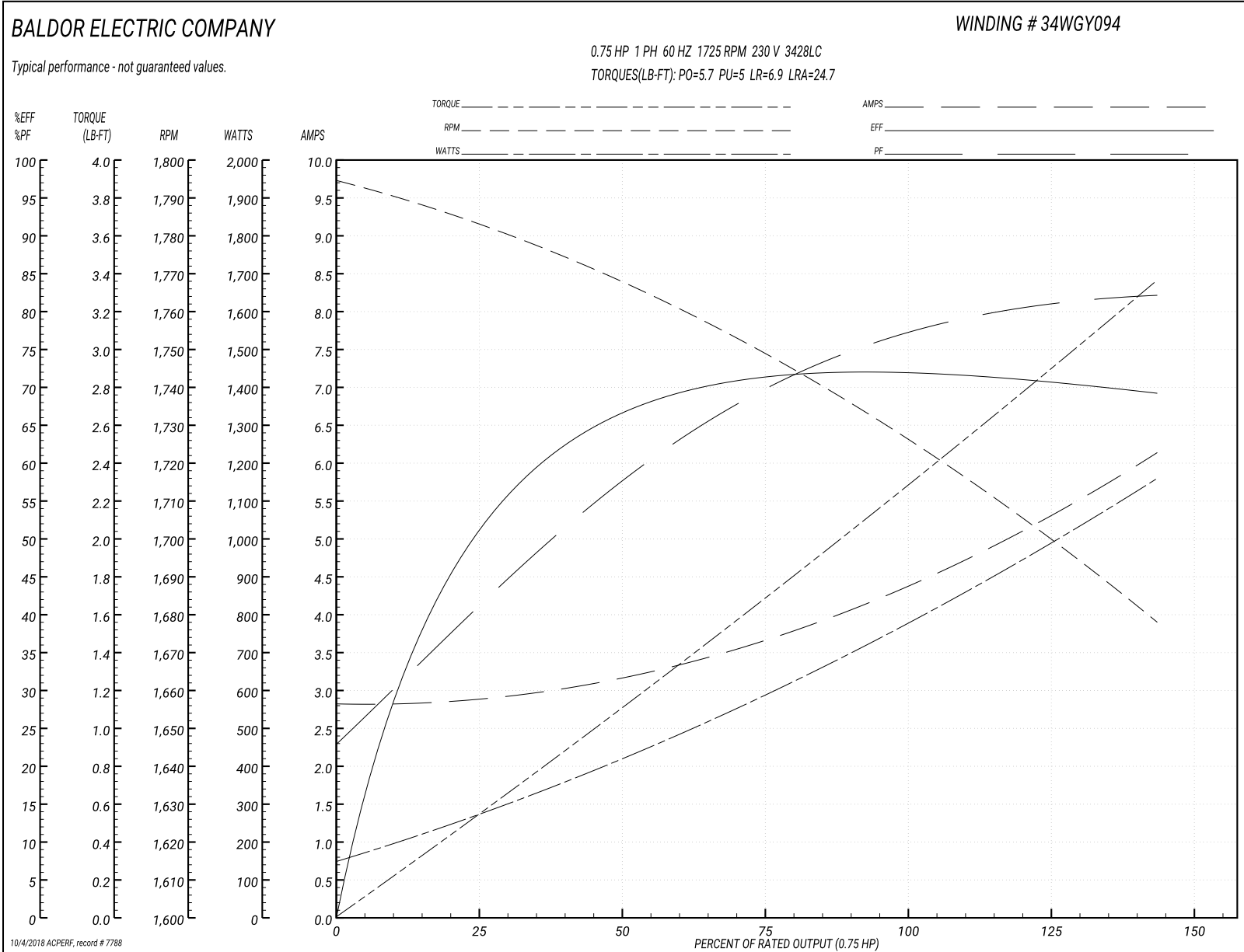
Winding: 34WGY094-R001	Type: 3428LC	Enclosure: TEFC
-------------------------------	---------------------	------------------------

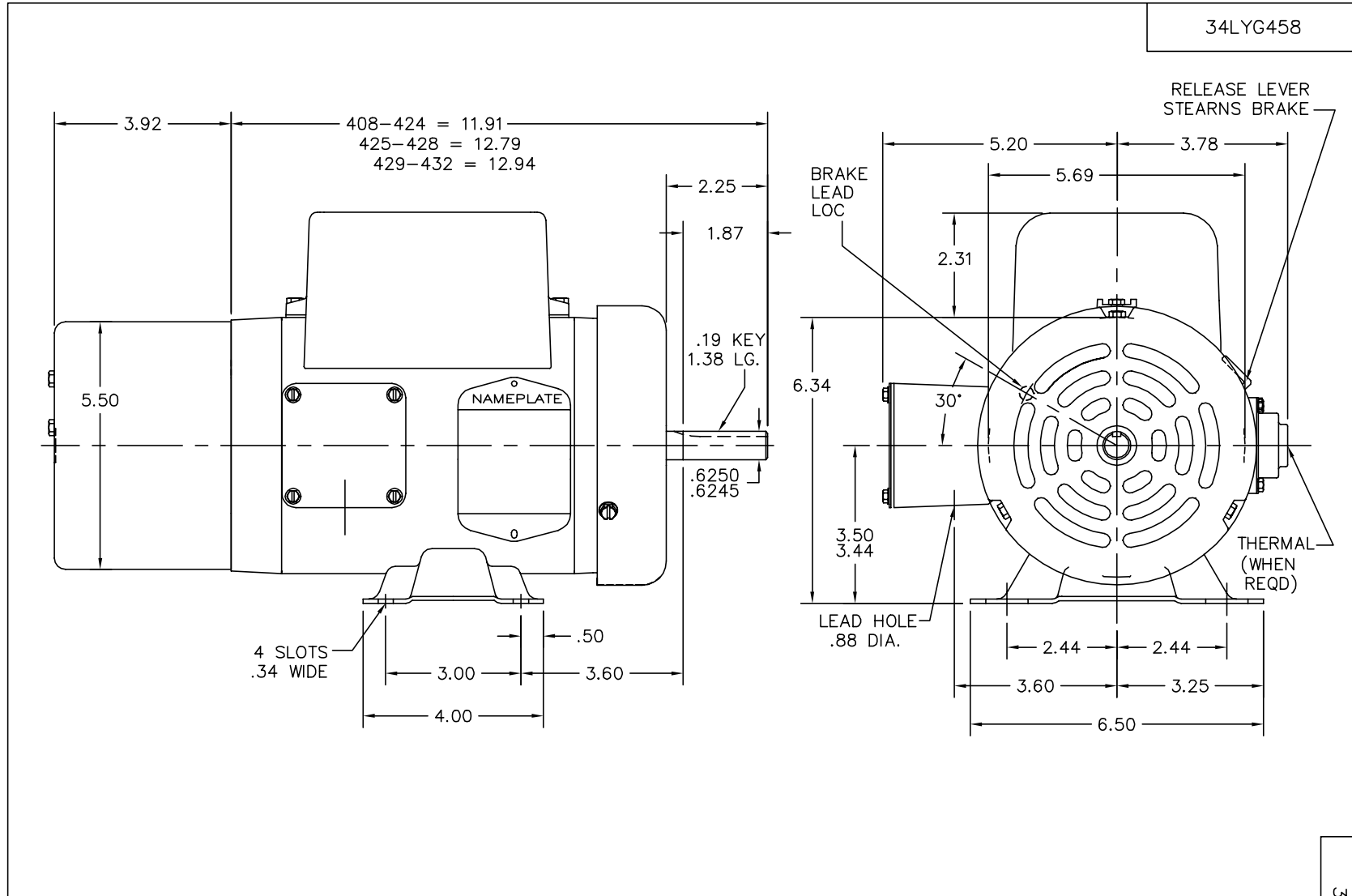
Nameplate Data				230 V, 60 Hz: High Voltage Connection	
Rated Output (HP)	.75			Full Load Torque	2.25 LB-FT
Volts	115/230			Start Configuration	direct on line
Full Load Amps	8.4/4.2			Breakdown Torque	5.7 LB-FT
R.P.M.	1725			Pull-up Torque	5 LB-FT
Hz	60	Phase	1	Locked-rotor Torque	6.9 LB-FT
NEMA Design Code	N	KVA Code	J	Starting Current	24.7 A
Service Factor (S.F.)	1.25			No-load Current	2.8 A
NEMA Nom. Eff.	72	Power Factor	78	Line-line Res. @ 25°C	3.22 Ω A Ph 1.76 Ω B Ph
Rating - Duty	40C AMB-CONT			Temp. Rise @ Rated Load	71°C
S.F. Amps	10/5			Temp. Rise @ S.F. Load	89°C

Load Characteristics 230 V, 60 Hz, 0.75 HP

% of Rated Load	25	50	75	100	125	150	S.F.
Power Factor	43	57	70	78	82	86	82
Efficiency	50.2	66.1	71.1	72.3	72	68.6	72
Speed	1780	1766	1749	1729	1707	1675	1707
Line amperes	2.9	3.2	3.7	4.3	5.1	6.2	5.1

Performance Graph at 230V, 60Hz, 0.75HP Typical performance - Not guaranteed values





CUSTOMER IS RESPONSIBLE FOR DETERMINING THAT MOTOR PERFORMANCE IS SUITABLE IN THE APPLICATION.

REV. DESC: UPDATED DRAWING

REV. LTR: B

VERSION: 01

TDR: 000000423571

BALDOR ELECTRIC Co.

34LYG458

FILE: \AAA\00037\692

REVISED: 08:41:45 02/27/2007

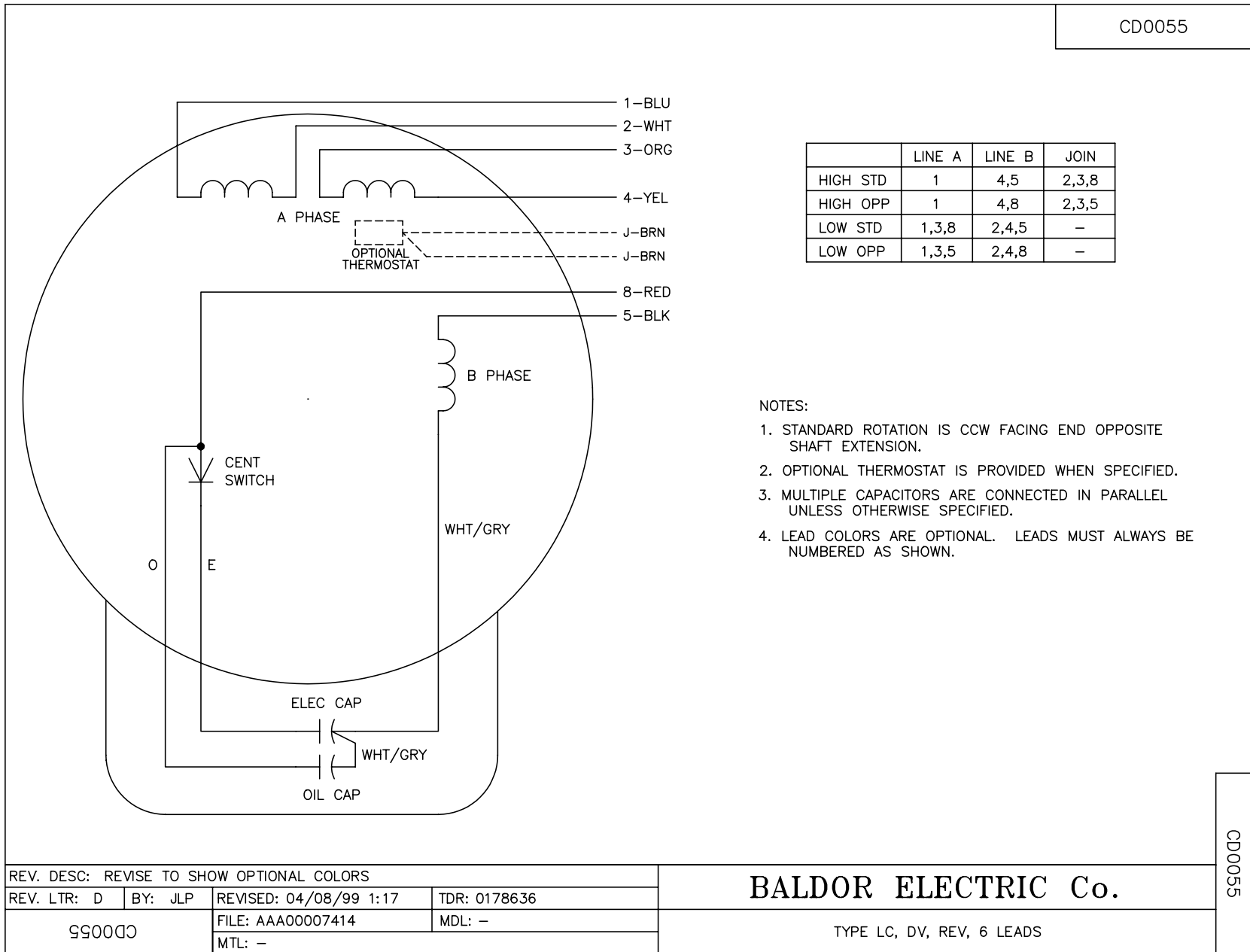
HORZ 34LC NEMA 56 TEFC BRAKE MTR W/FAN ON PU. END

MTL: -

BY: ENROSTO

34LYG458

CD0055



	LINE A	LINE B	JOIN
HIGH STD	1	4,5	2,3,8
HIGH OPP	1	4,8	2,3,5
LOW STD	1,3,8	2,4,5	-
LOW OPP	1,3,5	2,4,8	-

NOTES:

1. STANDARD ROTATION IS CCW FACING END OPPOSITE SHAFT EXTENSION.
2. OPTIONAL THERMOSTAT IS PROVIDED WHEN SPECIFIED.
3. MULTIPLE CAPACITORS ARE CONNECTED IN PARALLEL UNLESS OTHERWISE SPECIFIED.
4. LEAD COLORS ARE OPTIONAL. LEADS MUST ALWAYS BE NUMBERED AS SHOWN.

REV. DESC: REVISE TO SHOW OPTIONAL COLORS			
REV. LTR: D	BY: JLP	REVISED: 04/08/99 1:17	TDR: 0178636
99000		FILE: AAA00007414	MDL: -
CD0055		MTL: -	

BALDOR ELECTRIC Co.

TYPE LC, DV, REV, 6 LEADS

CD0055