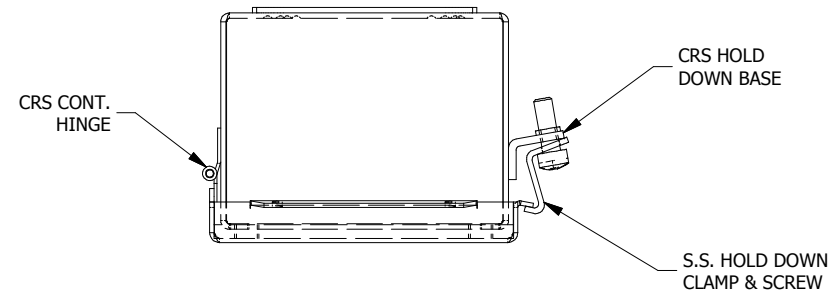
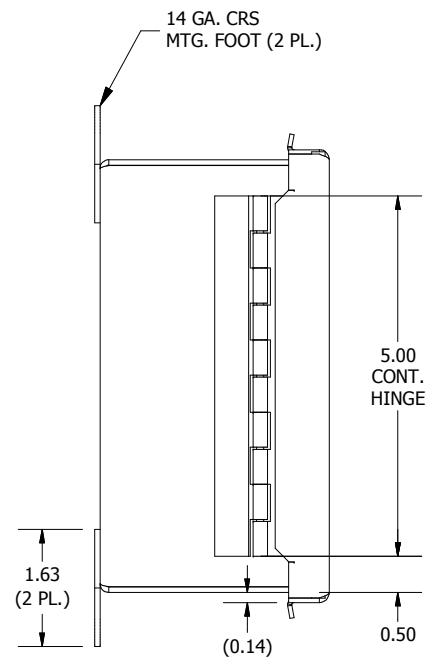


PART#: BN4060403CH
(DATA SUBJECT TO CHANGE WITHOUT NOTICE)

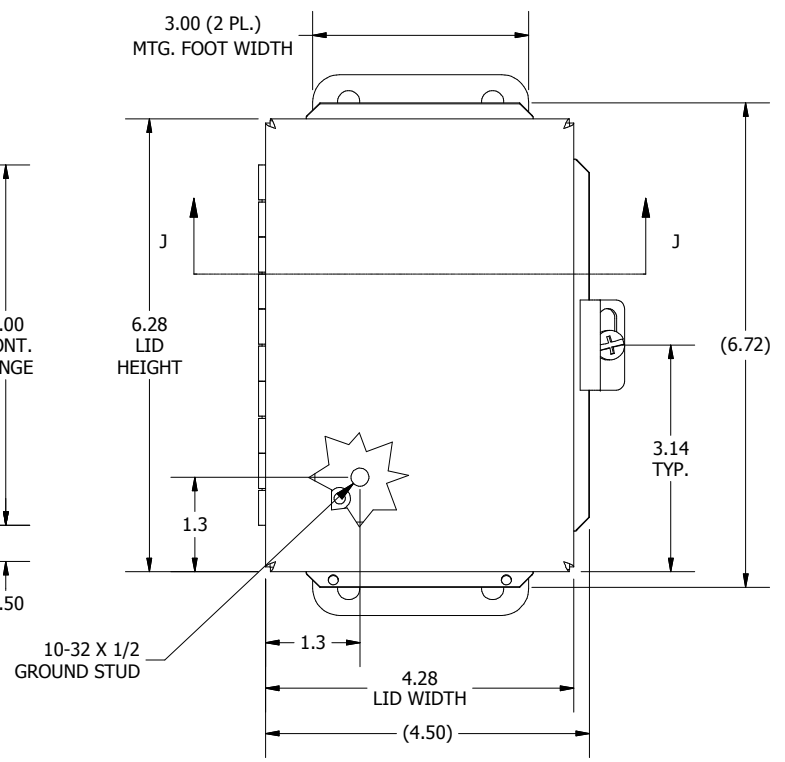
THIS DRAWING IS PROPERTY OF HUBBELL INC. WIEGMANN
 ALL INFORMATION IS PROPRIETARY AND NOT TO BE DUPLICATED



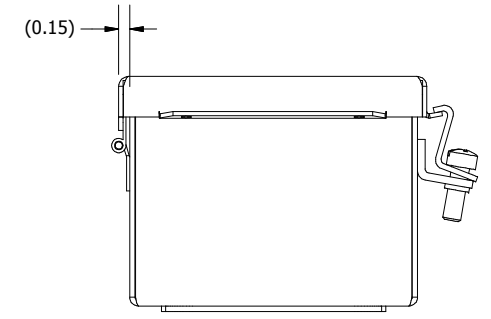
TOP VIEW



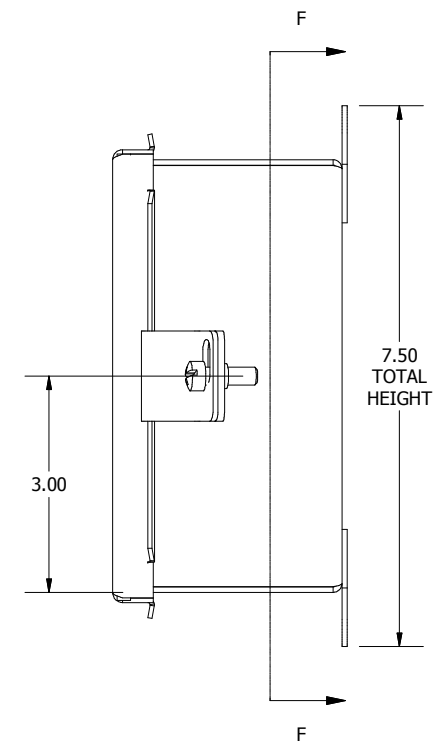
LEFT SIDE VIEW



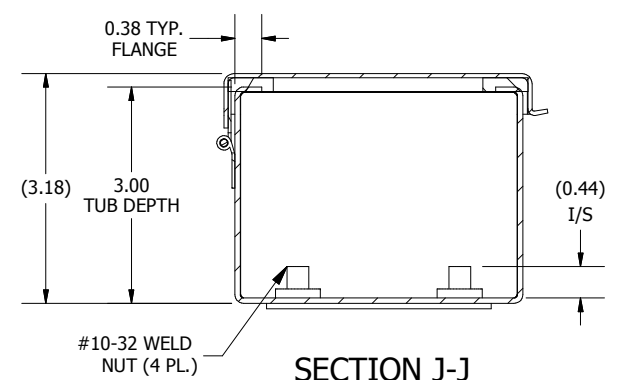
FRONT VIEW



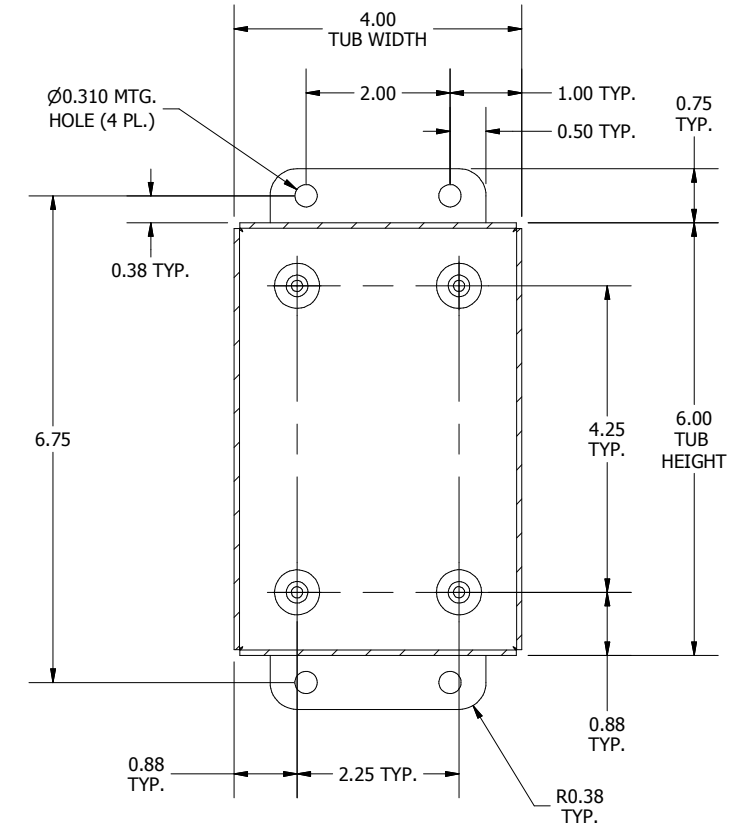
BOTTOM VIEW



RIGHT SIDE VIEW



SECTION J-J (INSIDE TOP OF ENCL.)



SECTION F-F (INSIDE BACK OF ENCL.)

