

BALDOR® • RELIANCE

Product Information Packet

BSM33C-3177MHQ

18B TENV HOR 56C 1" HALL (1 HP)

Specs			
Enclosure:	TENV		
Nameplate Speed:	1800		
Agency Approvals:	CSA		
Base Indicator:	Rigid		
Dimensional Drawing Numbers:	33LY3131		
Frame:	56C		
Frame Material:	Steel		
Motor Lead Quantity/Wire Size:	3 @ 14 AWG		
Mounting Arrangement:	F1		
Nameplate Output:	1.000		

Shaft Rotation:	Reversible		
Motor Standards:	NEMA		
Thermal Device - Winding:	Normally Closed Thermostat		

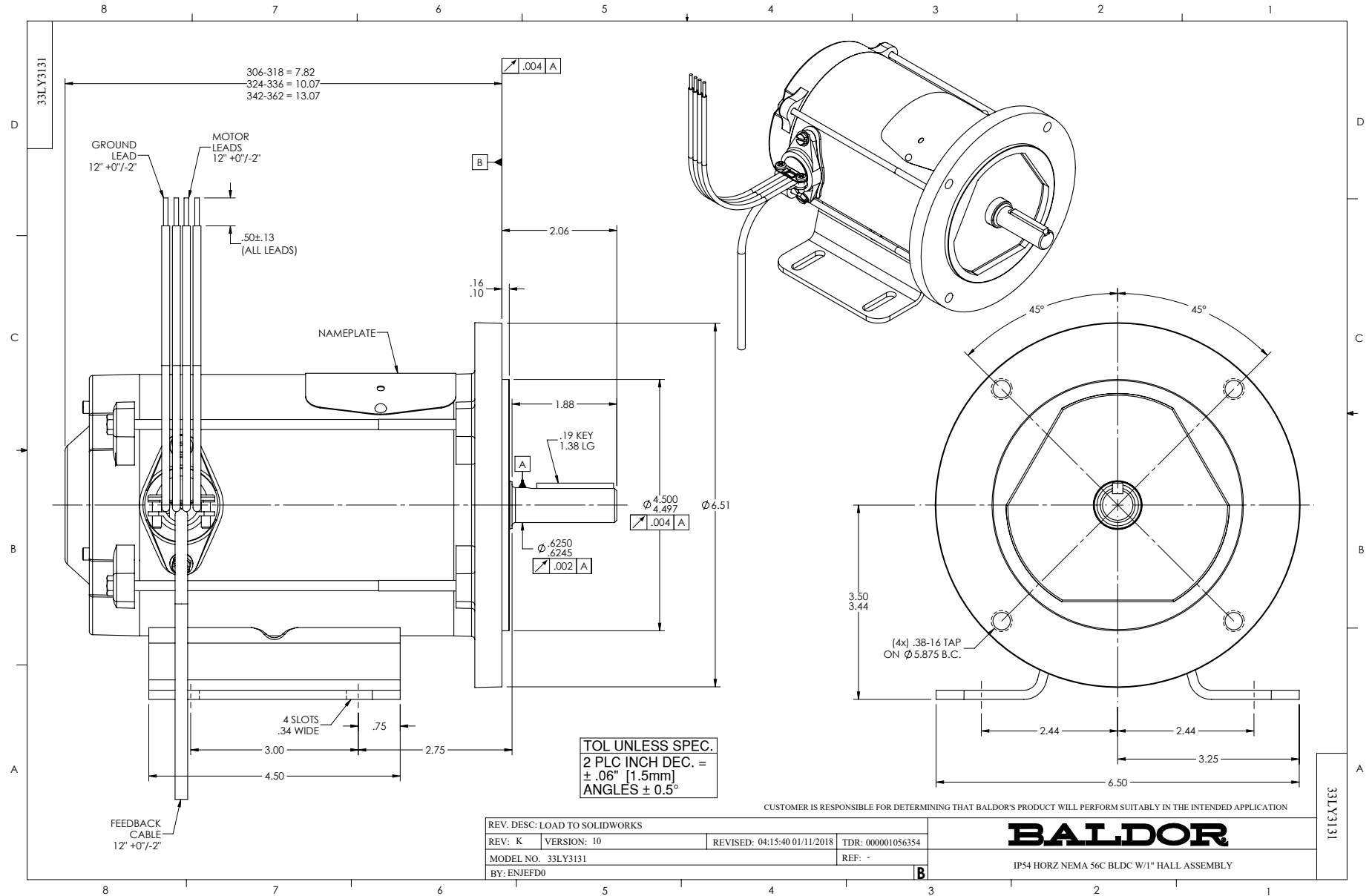
Nameplate NP1419L

CAT.NO.	BSM33C-3177MHQ		
SPEC.	33-3131W860		
HP	1.000		
RPM	1800		
FRAME	56C	SER.F.	1.00
VOLTS	320		
AMPS	2.83		
INSUL	F	AMB.	40
DUTY	CONT	ENCL	TENV
BRG/DE	6205	BRG/ODE	6203
SER.NO			
BLANK		BLANK	

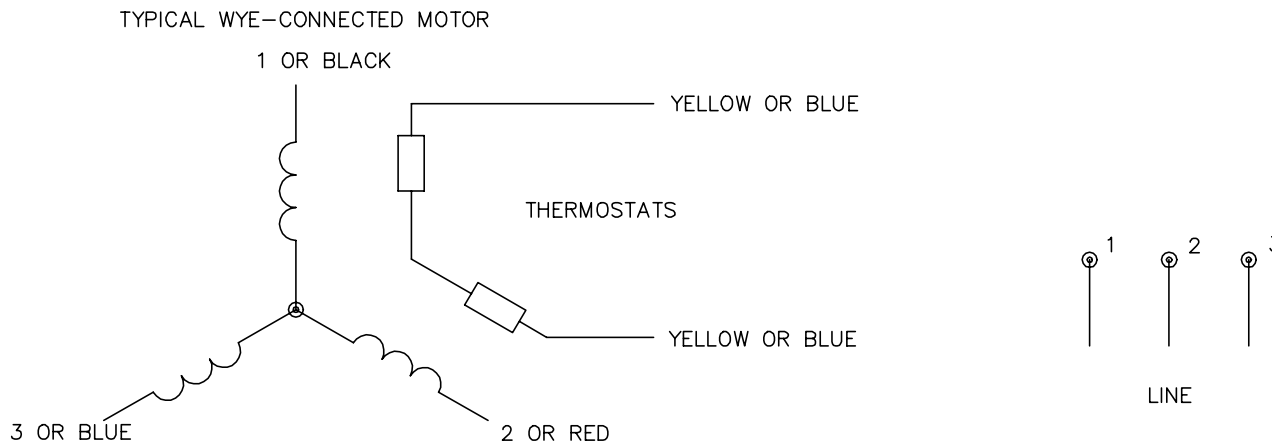
Parts List		
Part Number	Description	Quantity
SA151747	SA 33-3131W860	1.000 EA
RA140549	RA 33-3131W860	1.000 EA
33EP2105A20	FREP BLDC, 1" HALL	1.000 EA
HW5100A05	WVY WSHR F/205 & 304 BRGS	1.000 EA
HA6164A07	PIPE ADAPTER W/.50 NPS LEAD HOLE (SHORT)	1.000 EA
36GS5000	GASKET CONDUIT ADAPTOR	1.000 EA
51XB1016A08	10-16X 1/2HXWSSLD SERTYB	2.000 EA
WD4500A50	CORD CONN.,.50 NPS, STRAIGHT	1.000 EA
11XW1032G06	10-32 X .38, TAPTITE II, HEX WSHR SLTD U	1.000 EA
33EP2106A01	BLDC PU ENDPLATE, MACH	1.000 EA
HW2501D13	KEY, 3/16 SQ X 1.375	1.000 EA
HA7000A04	KEY RETAINER 0.625 DIA SHAFTS	1.000 EA
PM5010A15	BLDC HALL ASSEMBLY 1" 8 POLE	1.000 EA
WD5004A13	WIRING ASSY HALL FDBK W/ROUND CABLE (USE	1.000 EA
HA1056	SYNCHRO CLAMP, ZINC PLATED	3.000 EA
62YW0025A007	EPOXY LOCK SCREW,M2.5X7 TORX PAN HD TAPT	3.000 EA
33CB4504A11	FEEDBACK COVER 33BSM	1.000 EA
84YN0030J006	SOC HD CP SCREW M3 X 6MM	3.000 EA
HW1021A03	WASHER, M3 SPLIT LOCK	3.000 EA
MG1000G27	MED CHARCOAL METALLIC GREY 400-0096	0.013 GA
85XU0407S04	4X1/4 U DRIVE PIN STAINLESS	2.000 EA
MG5010Z01	488 (TPB) CATALYST	0.001 LB
MJ5003A09	VINYL TOLUENE 60/60 REDUCP.D. GEORGE	0.002 GA
BG6205E03	6205 D.SL,C3,POLYREX EM	1.000 EA

Parts List (continued)		
Part Number	Description	Quantity
LD2200A25	LEAD ASSY, ML1400DF14 W/#10 RING 18"	1.000 EA
HA3100A11	THRUBOLT 10-32 X 6.750	4.000 EA
LB1119N	WARNING LABEL	1.000 EA
NP1419L	NP STD LASER ENGRAVED BRUSHLESS DC MOTOR	1.000 EA
27PA1001	PKG GRP, PRINT PK1027A06	1.000 EA

No performance data has been
assigned to this product.



CD0006A02



NOTES:

1. INTERCHANGE ANY TWO LINE LEADS TO REVERSE ROTATION.
2. ACTUAL NUMBER OF INTERNAL PARALLEL CIRCUITS MAY VARY.

REV. DESC: REMOVED "OPTIONAL" FROM PRINT, SERVO REQ'S T'STATS			
REV. LTR: D	VERSION: 03	TDR: 000000414937	
Z0V900000 CD0006A02	FILE: \AAA\00068\606	REVISED: 10:02:28 11/21/2006	
	MTL: -	BY: ENJFD0	

BALDOR ELECTRIC Co.

3PH, SV, 3 LEADS, WYE CONNECTED

CD0006A02