

BALDOR® • RELIANCE

Product Information Packet

BSM63N-275BA

BSM63N-275BA

Specs			
Enclosure:	TENV		
Nameplate Speed:	4000		
Agency Approvals:	CE		
	CSA		
	TUV		
	UR		
	WEEE		
Base Indicator:	Bracket Mounted		
Dimensional Drawing Numbers:	S1LYP106		
Frame:	D75D		

Copyright © All product informati

Frame Material:	Exposed Laminations		
Motor Lead Quantity/Wire Size:	3 @ 18 AWG		
Mounting Arrangement:	F1		
Nameplate Output:	0.53KW		
Shaft Rotation:	Reversible		
Motor Standards:	IEC		

Nameplate NP2859L	
CAT.NO.	BSM63N-275BA
BLANK	
SPEC.	S1P106W034G1
MFG.NO.	
TORQ CONT STALL	1.47 NM
CUR CONT STALL/A RMS	1.94
POWER	0.53KW
RATED SPEED/RPM	4000
RATED BUS VOLTS	300
PEAK CUR/A RMS	6.96
MAX MECH SPEED	10000
CLASS	F
AMB.	25
APRV-CE	

Parts List		
Part Number	Description	Quantity
SA070140	SA S1P106W034G1	1.000 EA
RA064048	RA S1P106W034G1	1.000 EA
WD1000A33	62307-2 AMP TERM,30K/REELREPLACING A19)3	4.000 EA
HW5001A44	WALDES TRUARC #N5001-112 RET.RING	1.000 EA
HW2512C01	SHAFT KEY CL 4MM X 4MM X 12MM	1.000 EA
HA7000A09	KEY RETAINER 0.438 DIA SHAFT	1.000 EA
HW5109A00	WASHER, WAVE SPRING FOR 26MM BORE SPL SM	2.000 EA
HA2113A03	TOLERANCE RING 8MM X 7MM TYPE BN8X7C	1.000 EA
S1EP3913A02	ENDPLATE, FR. BRG, BSM63, BRAKE, RESOLVE	1.000 EA
HW1027A04	METRIC EXTERNAL TOOTH LOCK WASHER M4	4.000 EA
RM1020A18	O-RING, -034 BUNA-N, .070 CS X 2.125 ID	1.000 EA
00BK0007A02	BRAKE, BSM63 2.000 OD 18 LB 24 VDC (STE	1.000 EA
HW1021A03	WASHER, M3 SPLIT LOCK	4.000 EA
84YN0030J030	SCREW SOCKET HD M3 X 30MM LONG	4.000 EA
HW2501A88	KEY, 3/32 SQ X .375	1.000 EA
S1EP3915A01	ENDPLATE, RESOLVER MTG.	1.000 EA
84YN0030J020	SCREW SOCKET HD M3 X 20MM LONG	4.000 EA
HW1021A03	WASHER, M3 SPLIT LOCK	4.000 EA
RM1020A18	O-RING, -034 BUNA-N, .070 CS X 2.125 ID	1.000 EA
62YW0025A007	EPOXY LOCK SCREW,M2.5X7 TORX PAN HD TAPT	3.000 EA
84YN0030J014	SCREW, M3 X 14MM SOCKET HEAD CAP	4.000 EA
HA7013	CLAMP, RESOLVER, PLASTIC "C-SHAPE"	1.000 EA
MH4006A21	HEAT SHRINK TUBING 0.12 ID BLACK	0.542 FT
62YW0025A007	EPOXY LOCK SCREW,M2.5X7 TORX PAN HD TAPT	1.000 EA

Parts List (continued)		
Part Number	Description	Quantity
S1CB3000A02	90 DEG ADAPTOR, METRIC CONNECTORS F/BSM	1.000 EA
S1GS1000	GASKET, 90 DEG ADAPTOR F/BSM MTRS	1.000 EA
GS1000A25	GASKET, METRIC CONNECTOR(CLOTH INSERTED	1.000 EA
99XM0356A02	STICK SCREW, #3-56 X .125 LG. HEX (MARK	2.000 EA
MJ5004A02	P-2 FRANKLIN RESIN KIT	0.001 GA
MJ5004A03	S-C FRANKLIN ACTIVATOR	0.001 QT
MJ5004A27	RP 4005 RESIN, FOR ROTOR FIBERGLASS WIND	0.001 EA
MJ5004A28	REN 1500H HARDENER, FOR ROTOR FIBERGLASS	0.001 GA
ME3001A02	449S2 FIBERGLASS 20 END ROVING AA-750	0.005 LB
MG2000A17	RUST INHIBITOR PART # SRPO #20	0.001 GA
BG6001C03	6001 D.SH,C3,POLYREX EM	1.000 EA
RF0001	RESOLVER, BRUSHLESS, 1 SPEED, 1.4165 DIA	1.000 EA
LD2200A08	CUT LEAD GREEN&YELLOW #18 8 INCH W/ RIN	1.000 EA
S1CB3503A10	COVER, FEEDBACK, BSM63, NO LOGO, GRAY	1.000 EA
WD1455A01	CONNECTOR, FEEDBACK, M23 THDS, 12 PIN	1.000 EA
WD1649A10	1MM PIN CONTACT, TYCO#66507-4 (24-28AWG)	6.000 EA
WD5009A14	KIT-M23 MOTOR POWER CONN, 8-PIN (BRAKE)	1.000 EA
62YW0025A007	EPOXY LOCK SCREW,M2.5X7 TORX PAN HD TAPT	12.000 EA
LB7019	AC BRUSHLESS SERVOMOTOR CONNECTION DIAGR	1.000 EA
MG1025L02	WILKOFASST, 776.06 TEXTURE (BSM) BLACK	0.001 QT
MG1025Z09	CATALYST #060.06 WILCO	0.001 QT
MG1500Y08	PRIMER-WILKOPON (603.08A)YELLOW PRIMER W	0.001 QT
MG1025Z08	WILKO 603.08B PRIMER REDUCER TDR# 72361	0.001 QT
HA3117A05	THRUBOLT M4 X 100MM	4.000 EA

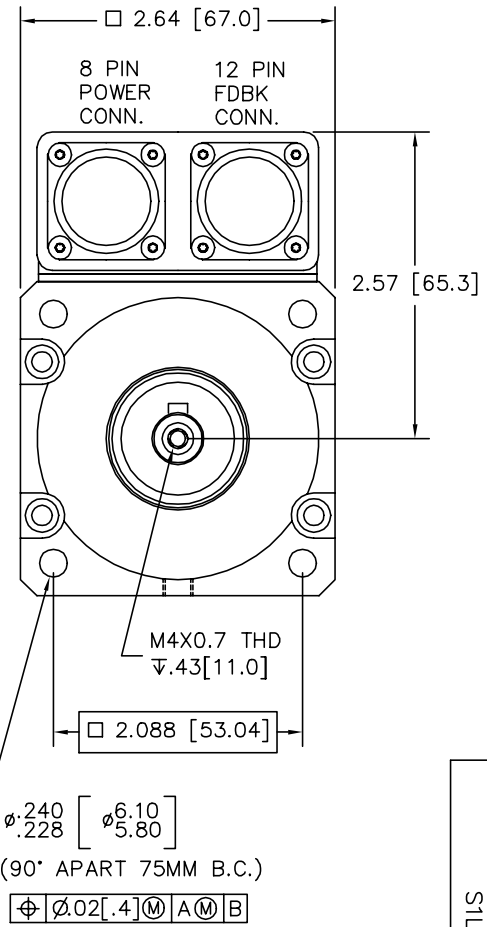
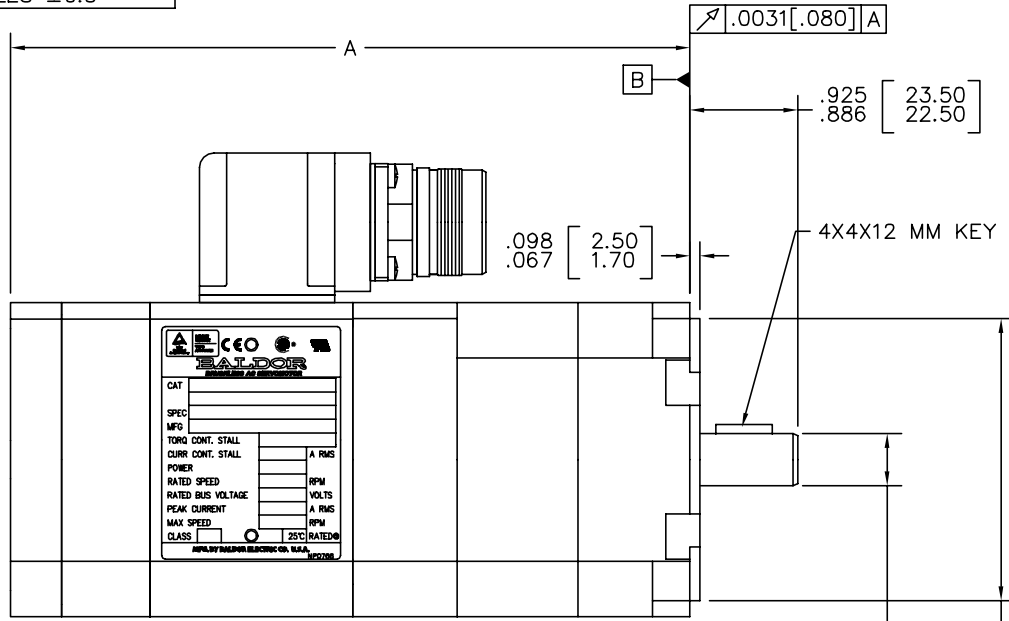
Product Information Packet: BSM63N-275BA - BSM63N-275BA

NP2859L	NAMEPLATE BSM50/63 ALUM, LASER ETCHED	1.000 EA
25PA1008	PKG GRP, BSM 50, 63, & 80	1.000 EA
MS1240	BSM Motor Quick Start 1/16	1.000 EA
LB1534	MYLAR CE WARNING LABEL FOR SERVO MOTORS	1.000 EA

No performance data has been
assigned to this product.

TOL UNLESS SPEC.
 2 PLC INCH DEC. =
 ±.06" [1.5mm]
 ANGLES ±0.5°

S1LYP106



REFERENCE	CODE	A
BSM63A/N-1	08	5.70 [144.8]
BSM63A-1	11	6.08 [154.3]
BSM63A/N-2	16	6.70 [170.2]
BSM63A/N-3	24	7.70 [195.6]
BSM63A-4	30	8.45 [214.7]

CUSTOMER IS RESPONSIBLE FOR DETERMINING THAT BALDOR'S PRODUCT WILL PERFORM SUITABLY IN THE INTENDED APPLICATION.

REV. DESC: UPDATE TO CORRECT SHAFT		
REV. LTR: F	VERSION: 02	TDR: 000000463715
FILE: \AAA\00073\555	REVISED: 09:01:48 05/08/2008	
MTL: -	BY: ENFRANO	

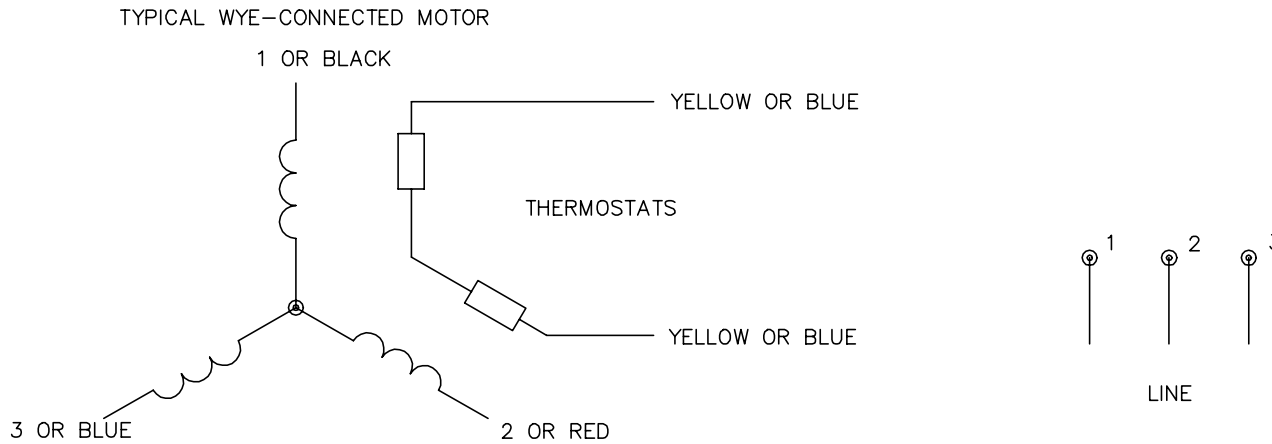
BALDOR • DODGE • RELIANCE

BSM63, 11D75, BRAKE, RESOLVER, METRIC CONNECTORS

SH 1 of 1

S1LYP106

CD0006A02



NOTES:

1. INTERCHANGE ANY TWO LINE LEADS TO REVERSE ROTATION.
2. ACTUAL NUMBER OF INTERNAL PARALLEL CIRCUITS MAY VARY.

REV. DESC: REMOVED "OPTIONAL" FROM PRINT, SERVO REQ'S T'STATS			
REV. LTR: D	VERSION: 03	TDR: 000000414937	
Z0V9000003 CD0006A02	FILE: \AAA\00068\606	REVISED: 10:02:28 11/21/2006	
	MTL: -	BY: ENJFD0	

BALDOR ELECTRIC Co.

3PH, SV, 3 LEADS, WYE CONNECTED

CD0006A02