

BALDOR® • RELIANCE

Product Information Packet

BSM80N-250AA

BSM80N-250AA (NEO) T'STAT, RESOLVE

Specs			
Enclosure:	TENV		
Nameplate Speed:	4000		
Agency Approvals:	CE		
	CSA		
	TUV		
	UR		
	WEEE		
Base Indicator:	Bracket Mounted		
Dimensional Drawing Numbers:	S2LYP100		
Frame:	D100D		

Copyright © All product informati

Frame Material:	Exposed Laminations		
Motor Lead Quantity/Wire Size:	3 @ 18 AWG		
Mounting Arrangement:	F1		
Nameplate Output:	1.13KW		
Shaft Rotation:	Reversible		
Motor Standards:	IEC		

Nameplate NP2864L

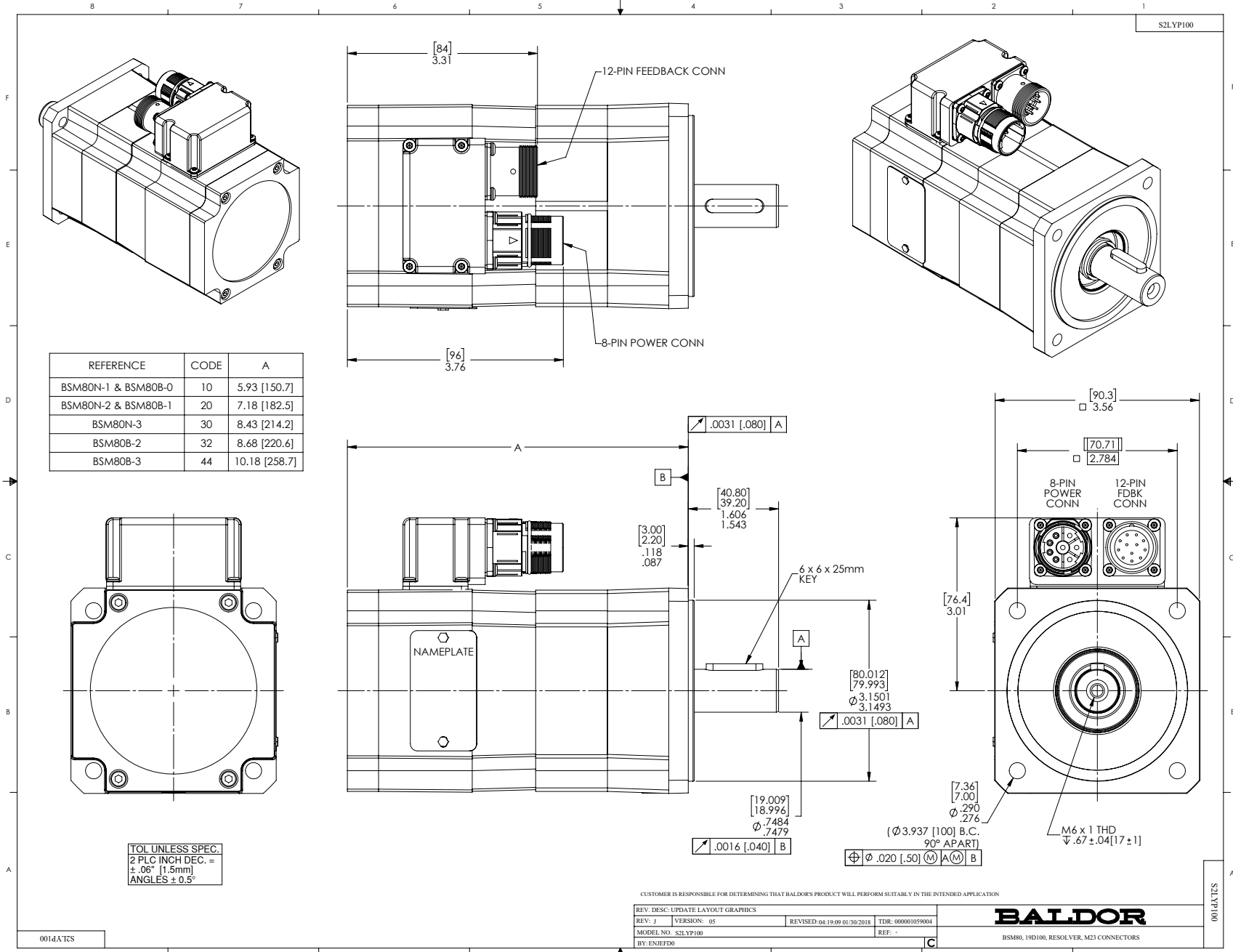
CAT.NO.	BSM80N-250AA		
BLANK			
SPEC.	S2P100W043G1		
MFG.NO.			
TORQ CONT STALL	3.2 NM		
CUR CONT STALL/A RMS	5.69		
POWER	1.13KW		
RATED SPEED/RPM	4000		
RATED BUS VOLTS	200		
PEAK CUR/A RMS	20.5		
MAX SPEED/RPM	7000		
CLASS	F	AMB.	25
APRV-CE			

Parts List		
Part Number	Description	Quantity
SA054785	SA S2P100W043G1	1.000 EA
RA049422	RA S2P100W043G1	1.000 EA
WD1000A33	62307-2 AMP TERM,30K/REELREPLACING A19)3	4.000 EA
RM1020A10	O-RING, -.041 BUNA-N, .070 CS X 2.989 ID	1.000 EA
HW5002A93	RET RING #NT002-145 BEVELED	1.000 EA
HW2512E109	KEY, 6 X 6 X 25MM ROUND ENDED	1.000 EA
HW5109A04	WASHER, SPLIT WAVE SPRING, FOR 32MM BORE	2.000 EA
HA2113A03	TOLERANCE RING 8MM X 7MM TYPE BN8X7C	1.000 EA
S2EP3907A03	ENDPLATE, FR BRG, RESOLVER, BSM80	1.000 EA
84YN0040J020	M4 X 20MM SHC SCREW	4.000 EA
HW1021A04	WASHER, M4 SPLIT LOCK	4.000 EA
RM1020A10	O-RING, -.041 BUNA-N, .070 CS X 2.989 ID	1.000 EA
HA7013	CLAMP, RESOLVER, PLASTIC "C-SHAPE"	1.000 EA
62YW0025A007	EPOXY LOCK SCREW,M2.5X7 TORX PAN HD TAPT	3.000 EA
84YN0040J016	M4 X 16MM SHC SCREW	4.000 EA
MH4006A21	HEAT SHRINK TUBING 0.12 ID BLACK	0.542 FT
62YW0025A007	EPOXY LOCK SCREW,M2.5X7 TORX PAN HD TAPT	1.000 EA
S1GS1000	GASKET, 90 DEG ADAPTOR F/BSM MTRS	1.000 EA
S1CB3000A02	90 DEG ADAPTOR, METRIC CONNECTORS F/BSM	1.000 EA
GS1000A25	GASKET, METRIC CONNECTOR(CLOTH INSERTED)	1.000 EA
99XM0356A02	STICK SCREW, #3-56 X .125 LG. HEX (MARK	2.000 EA
MJ5004A02	P-2 FRANKLIN RESIN KIT	0.001 GA
MJ5004A03	S-C FRANKLIN ACTIVATOR	0.001 QT
MJ5004A27	RP 4005 RESIN, FOR ROTOR FIBERGLASS WIND	0.001 EA

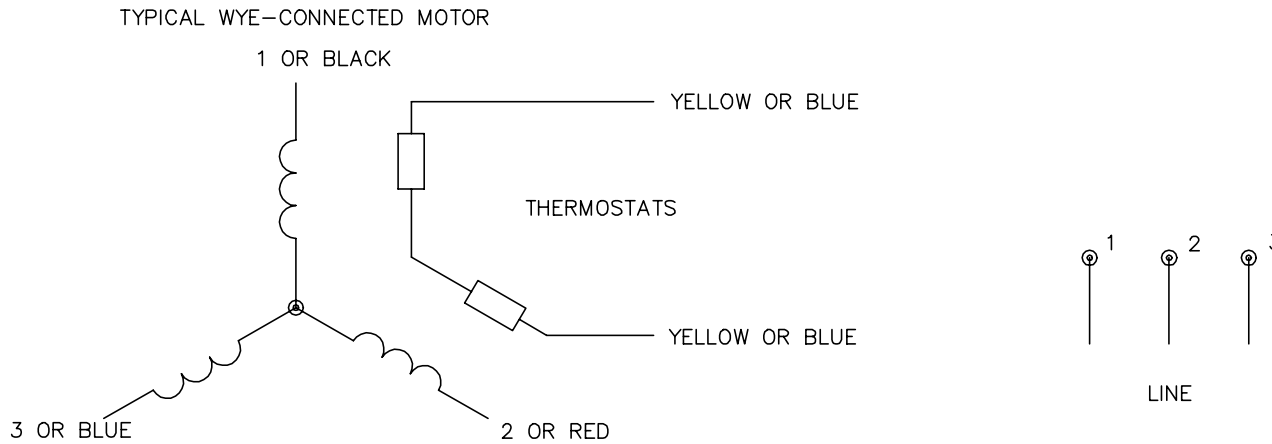
Parts List (continued)		
Part Number	Description	Quantity
MJ5004A28	REN 1500H HARDENER, FOR ROTOR FIBERGLASS	0.002 GA
ME3001A02	449S2 FIBERGLASS 20 END ROVING AA-750	0.010 LB
MG2000A17	RUST INHIBITOR PART # SRPO #20	0.001 GA
BG6904C03	6904/61904 D.SH,C3,POLYREX EM	1.000 EA
RF0001	RESOLVER, BRUSHLESS, 1 SPEED, 1.4165 DIA	1.000 EA
LD2200A08	CUT LEAD GREEN&YELLOW #18 8 INCH W/ RIN	1.000 EA
S2CB3502A08	COVER, FEEDBACK, OMIT LOGO, COOL GRAY	1.000 EA
WD1455A01	CONNECTOR, FEEDBACK, M23 THDS, 12 PIN	1.000 EA
WD1649A10	1MM PIN CONTACT, TYCO#66507-4 (24-28AWG)	6.000 EA
WD5009A15	KIT-M23 MOTOR POWER CONN, 8-PIN	1.000 EA
62YW0025A007	EPOXY LOCK SCREW,M2.5X7 TORX PAN HD TAPT	12.000 EA
MG1025L02	WILKOFASST, 776.06 TEXTURE (BSM) BLACK	0.002 QT
MG1025Z09	CATALYST #060.06 WILCO	0.002 QT
MG1500Y08	PRIMER-WILKOPON (603.08A)YELLOW PRIMER W	0.002 QT
MG1025Z08	WILKO 603.08B PRIMER REDUCER TDR# 72361	0.002 QT
NP2864L	NAMEPLATE BSM80 ALUM, LASER ETCHED	1.000 EA
25PA1008	PKG GRP, BSM 50, 63, & 80	1.000 EA
MS1240	BSM Motor Quick Start 1/16	1.000 EA
LB1534	MYLAR CE WARNING LABEL FOR SERVO MOTORS	1.000 EA

Accessories		
Part Number	Description	Multiplier
GBSM80-MRP090-4	Std. Servo Gearbox Ratio 4:1	E4
GBSM80-MRP090-5	Std. Servo Gearbox Ratio 5:1	E4
GBSM80-MRP090-7	Std. Servo Gearbox Ratio 7:1	E4
GBSM80-MRP090-10	Std. Servo Gearbox Ratio 10:1	E4
GBSM80-MRP090-16	Std. Servo Gearbox Ratio 16:1	E4
GBSM80-MRP120-50	Std. Servo Gearbox Ratio 50:1	E4

No performance data has been
assigned to this product.



CD0006A02



NOTES:

1. INTERCHANGE ANY TWO LINE LEADS TO REVERSE ROTATION.
2. ACTUAL NUMBER OF INTERNAL PARALLEL CIRCUITS MAY VARY.

REV. DESC: REMOVED "OPTIONAL" FROM PRINT, SERVO REQ'S T'STATS			
REV. LTR: D	VERSION: 03	TDR: 000000414937	
Z0V9000003 CD0006A02	FILE: \AAA\00068\606	REVISED: 10:02:28 11/21/2006	
	MTL: -	BY: ENJFD0	

BALDOR ELECTRIC Co.

3PH, SV, 3 LEADS, WYE CONNECTED

CD0006A02