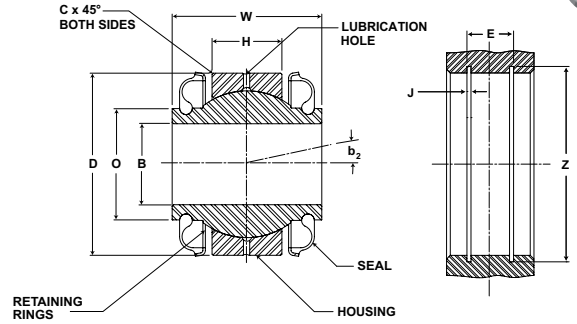


# Spherical Plain Bearings



- Basic Construction Type:** 2 pc. Heavy Duty, Precision
- Race Material:** Carbon Steel with Protective Plating for Corrosion Resistance
- Ball Material:** Alloy Steel, Heat Treated, Chrome Plated
- Feature:** Nitrile Rubber Seals



## BTS-LS Series Spherical Plain Bearings

Part No.	Dimensions inch / mm											Max Static Radial Load lb/N	Misalignment Angle $b_2$ Deg. +/-	Unit Wt. lb/kg	Recommended Snap Ring
	B	D	W	H	C	Ball Diam.	O	Housing Width	E	Z	J				
	+0.000 -0.007	+0.000 -0.007	+0.00 -0.05	+0.05 -0.05	Ref.	Ref.	Ref.		Groove Spacing	Groove Diam.	Groove Width				
BTS-12LS	.7500	1.5000	1.250	.500	.015	1.250	1.000	1.250	.507	1.576/1.584 40.03/40.23	.056/0.060 1.42/1.52	31500 140119	13 1/2	.250 .113	TRUARC #5000-150
	19.050	38.100	31.75	12.70	.38	31.75	25.40	31.75	12.88	1.551/1.556 39.4/39.52	.045/0.048 1.14/1.22				SPIROLOX #RR-150
BTS-16LS	1.0000	2.2500	1.875	.875	.015	1.813	1.375	1.687	.882	2.364/2.376 60.05/60.35	.086/0.091 2.18/2.31	83500 371427	12	.950 .431	TRUARC #5000-225
	25.400	57.150	47.63	22.23	.38	46.05	34.93	42.85	22.40	2.324/2.330 59.03/59.18	.055/0.058 1.4/1.47				SPIROLOX #RR-225
BTS-20LS	1.2500	2.3750	1.875	.875	.015	2.000	1.625	1.687	.882	2.499/2.511 63.47/63.78	.086/0.091 2.18/2.31	94000 418133	9 1/2	.990 .449	TRUARC #5000-237
	31.750	60.325	47.63	22.23	.38	50.80	41.28	42.85	22.40	2.453/2.459 62.31/62.46	.055/0.058 1.4/1.47				SPIROLOX #RR-237
BTS-24LS	1.5000	2.7500	1.875	1.000	.015	2.375	2.000	1.875	1.007	2.894/2.906 73.51/73.81	.103/0.108 2.62/2.74	130000 578269	7 1/2	1.440 .653	TRUARC #5000-275
	38.100	69.850	47.63	25.40	.38	60.33	50.80	47.63	25.58	2.841/2.847 72.16/72.31	.055/0.058 1.4/1.47				SPIROLOX #RR-275

**NOTES**

1. Retaining rings are NOT furnished with the bearings.
2. For mounting information, see Recommended Housing Bore Diameters, page J-43.