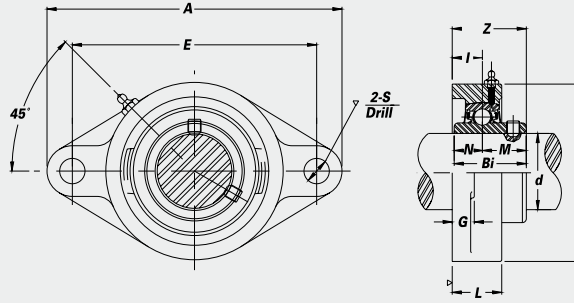


# Thermoplastic 2-Bolt Flanges



With optional bearing inserts:  
**Stainless Steel-SUCTFL**  
**Hard Chrome Coated-CUCTFL**  
**Black Oxide-BUCTFL**

- End Caps Available
- Overview of corrosion resistant products – pg. 52



CORROSION RESISTANT

Unit No.	Shaft Dia.	Dimensions (in. (mm))											Bolt Used (in.)	Bearing No.	Housing No.	Weight (lbs.)
	d	A	E	I	G	L	S	B	Z	Bi	N	M				

## SUCTFL with Stainless Steel Bearing Inserts

SUCTFL 201-8 202-10 204-12 204	1/2 5/8 3/4	20	4 <sup>7/16</sup> 113	3 <sup>17/32</sup> 89.7	3 <sup>9/64</sup> 15	7 <sup>7/16</sup> 11	1 <sup>1/32</sup> 26	7 <sup>7/16</sup> 11	2 <sup>17/32</sup> 64	1 <sup>21/64</sup> 33.7	1.2205 31.0	0.5000 12.7	0.7205 18.3	3/8	SUC 201-8 202-10 204-12 204	TFL 204	.5
SUCTFL 205-14 205 205-16	7/8 1	25	5 <sup>1/8</sup> 130	3 <sup>57/64</sup> 98.8	4 <sup>3/64</sup> 17	1 <sup>7/32</sup> 13	1 <sup>1/32</sup> 29	7 <sup>7/16</sup> 11	2 <sup>3/4</sup> 70	1 <sup>7/16</sup> 36.5	1.3386 34.0	0.5630 14.3	0.7756 19.7	3/8	SUC 205-14 205 205-16	TFL 205	.7
SUCTFL 206-18 206 206-19 206-20	1 1/8 1 3/16 1 1/4 S	30	5 <sup>13/16</sup> 148	4 <sup>19/32</sup> 116.7	3/4 19	1 <sup>7/32</sup> 13	1 <sup>7/32</sup> 31	7 <sup>7/16</sup> 11	3 <sup>5/32</sup> 80	1 <sup>39/64</sup> 40.9	1.5000 38.1	0.6260 15.9	0.8740 22.2	3/8	SUC 206-18 206 206-19 206-20	TFL 206	1.1
SUCTFL 207-20 207-21 207-22 207 207-23	1 1/4 1 5/16 1 3/8 1 7/16	35	6 <sup>15/32</sup> 164	5 <sup>1/8</sup> 130.2	2 <sup>3/32</sup> 18	5/8 16	1 <sup>9/32</sup> 33	3 <sup>3/64</sup> 13	3 <sup>17/32</sup> 90	1 <sup>23/32</sup> 43.7	1.6890 42.9	0.6890 17.5	1.0000 25.4	1/2	SUC 207-20 207-21 207-22 207 207-23	TFL 207	1.5
SUCTFL 208-24 208	1 1/2	40	6 <sup>7/8</sup> 175	5 <sup>21/32</sup> 143.7	2 <sup>1/32</sup> 21	2 <sup>5/32</sup> 20	1 <sup>15/32</sup> 37	3 <sup>5/64</sup> 14	3 <sup>15/16</sup> 100	2 <sup>3/64</sup> 52.0	1.9370 49.2	0.7480 19.0	1.1890 30.2	1/2	SUC 208-24 208	TFL 208	2.0

## CUCTFL with Hard Chrome Coated Bearing Inserts

CUCTFL 204-12 204	3/4	20	4 <sup>7/16</sup> 113	3 <sup>17/32</sup> 89.7	3 <sup>9/64</sup> 15	7 <sup>7/16</sup> 11	1 <sup>1/32</sup> 26	7 <sup>7/16</sup> 11	2 <sup>17/32</sup> 64	1 <sup>21/64</sup> 33.7	1.2205 31.0	0.5000 12.7	0.7205 18.3	3/8	CUC 204-12 204	TFL 204	.5
CUCTFL 205-14 205 205-16	7/8 1	25	5 <sup>1/8</sup> 130	3 <sup>57/64</sup> 98.8	4 <sup>3/64</sup> 17	1 <sup>7/32</sup> 13	1 <sup>1/32</sup> 29	7 <sup>7/16</sup> 11	2 <sup>3/4</sup> 70	1 <sup>7/16</sup> 36.5	1.3386 34.0	0.5630 14.3	0.7756 19.7	3/8	CUC 205-14 205 205-16	TFL 205	.7
CUCTFL 206-18 206 206-19 206-20	1 1/8 1 3/16 1 1/4 S	30	5 <sup>13/16</sup> 148	4 <sup>19/32</sup> 116.7	3/4 19	1 <sup>7/32</sup> 13	1 <sup>7/32</sup> 31	7 <sup>7/16</sup> 11	3 <sup>5/32</sup> 80	1 <sup>39/64</sup> 40.9	1.5000 38.1	0.6260 15.9	0.8740 22.2	3/8	CUC 206-18 206 206-19 206-20	TFL 206	1.1
CUCTFL 207-20 207-22 207 207-23	1 1/4 1 5/16 1 3/8 1 7/16	35	6 <sup>15/32</sup> 164	5 <sup>1/8</sup> 130.2	2 <sup>3/32</sup> 18	5/8 16	1 <sup>9/32</sup> 33	3 <sup>3/64</sup> 13	3 <sup>17/32</sup> 90	1 <sup>23/32</sup> 43.7	1.6890 42.9	0.6890 17.5	1.0000 25.4	1/2	CUC 207-20 207-22 207 207-23	TFL 207	1.5
CUCTFL 208-24 208	1 1/2	40	6 <sup>7/8</sup> 175	5 <sup>21/32</sup> 143.7	2 <sup>1/32</sup> 21	2 <sup>5/32</sup> 20	1 <sup>15/32</sup> 37	3 <sup>5/64</sup> 14	3 <sup>15/16</sup> 100	2 <sup>3/64</sup> 52.0	1.9370 49.2	0.7480 19.0	1.1890 30.2	1/2	CUC 208-24 208	TFL 208	2.0

## BUCTFL with Black Oxide Bearing Inserts

BUCTFL 201-8 202-10 204-12 204	1/2 5/8 3/4	20	4 <sup>7/16</sup> 113	3 <sup>17/32</sup> 89.7	3 <sup>9/64</sup> 15	7 <sup>7/16</sup> 11	1 <sup>1/32</sup> 26	7 <sup>7/16</sup> 11	2 <sup>17/32</sup> 64	1 <sup>21/64</sup> 33.7	1.2205 31.0	0.5000 12.7	0.7205 18.3	3/8	BUC 201-8 202-10 204-12 204	TFL 204	.5
BUCTFL 205-14 205 205-16	7/8 1	25	5 <sup>1/8</sup> 130	3 <sup>57/64</sup> 98.8	4 <sup>3/64</sup> 17	1 <sup>7/32</sup> 13	1 <sup>1/32</sup> 29	7 <sup>7/16</sup> 11	2 <sup>3/4</sup> 70	1 <sup>7/16</sup> 36.5	1.3386 34.0	0.5630 14.3	0.7756 19.7	3/8	BUC 205-14 205 205-16	TFL 205	.7
BUCTFL 206-18 206 206-19 206-20	1 1/8 1 3/16 1 1/4 S	30	5 <sup>13/16</sup> 148	4 <sup>19/32</sup> 116.7	3/4 19	1 <sup>7/32</sup> 13	1 <sup>7/32</sup> 31	7 <sup>7/16</sup> 11	3 <sup>5/32</sup> 80	1 <sup>39/64</sup> 40.9	1.5000 38.1	0.6260 15.9	0.8740 22.2	3/8	BUC 206-18 206 206-19 206-20	TFL 206	1.1
BUCTFL 207-20 207-22 207 207-23	1 1/4 1 5/16 1 3/8 1 7/16	35	6 <sup>15/32</sup> 164	5 <sup>1/8</sup> 130.2	2 <sup>3/32</sup> 18	5/8 16	1 <sup>9/32</sup> 33	3 <sup>3/64</sup> 13	3 <sup>17/32</sup> 90	1 <sup>23/32</sup> 43.7	1.6890 42.9	0.6890 17.5	1.0000 25.4	1/2	BUC 207-20 207-22 207 207-23	TFL 207	1.5
BUCTFL 208-24 208	1 1/2	40	6 <sup>7/8</sup> 175	5 <sup>21/32</sup> 143.7	2 <sup>1/32</sup> 21	2 <sup>5/32</sup> 20	1 <sup>15/32</sup> 37	3 <sup>5/64</sup> 14	3 <sup>15/16</sup> 100	2 <sup>3/64</sup> 52.0	1.9370 49.2	0.7480 19.0	1.1890 30.2	1/2	BUC 208-24 208	TFL 208	2.0