

Pneumatically Actuated 3-Way Brass Ball Valves - 'T / L' Port

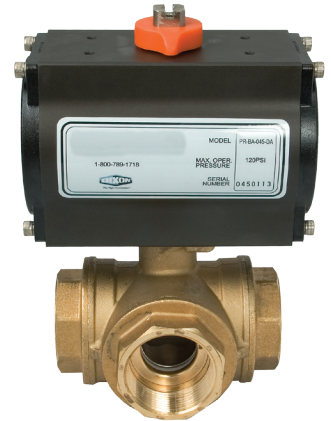
Features:

3-Way Brass Ball Valve

- reduced port
- blow-out proof stem
- brass body and chrome-plated brass ball
- PTFE seats with O-ring backing for low operating torque
- PTFE seats and double O-ring stem packing
- ISO 5211 mounting pad
- 100% tested
- pressure rating: **400 PSI WOG 100 PSI WSP**
- maximum temperature: **300°F (149°C)**

Rack and Pinion Actuator

- hard anodized aluminum body
- nickel plated anti-blowout pinion
- Buna-N O-rings
- NAMUR mounting
- bi-directional stops for $\pm 5^\circ$ travel adjustment
- 80 PSI plant air required
- visual position indication
- maximum operating pressure: **120 PSI**
- temperature range: **-40°F to 200°F (-40°C to 93°C)**
- tested to one million cycles



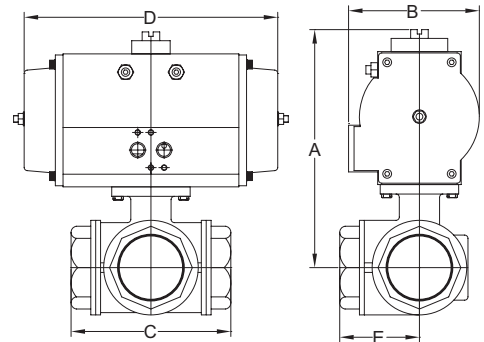
Valves

- A flow path needs to be selected at time of order. If no flow path is selected, the option number labeled as default will be shipped.
- Customer verification is critical. If flow path needs to be changed after being shipped, labor and shipping charges will apply.
- for spring return actuators must note fail position

Spring Return (normally closed)

All dimensions are given in inches, unless noted. Dimensions are approximate. Engineering dimensions are available upon request. Specifications are subject to change without notice. * T = t-style * L = l-style

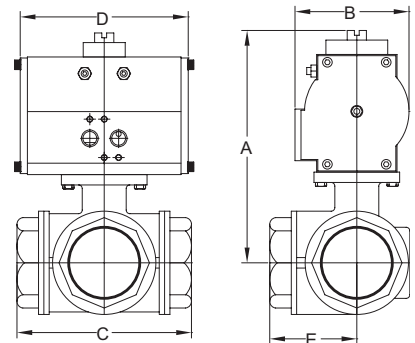
Size	Dimensions					Brass	
	A	B	C	D	E	Part #	Price/E
1/4"	4.72"	2.80"	2.64"	5.49"	1.32"	BV3BV*R-0251BBC	\$810.90
3/8"	4.72"	2.80"	2.64"	5.49"	1.32"	BV3BV*R-0381BBC	810.90
1/2"	4.72"	2.80"	2.87"	5.49"	1.44"	BV3BV*R-0501BBC	810.90
3/4"	4.81"	2.80"	3.19"	5.49"	1.60"	BV3BV*R-0751BBC	858.61
1"	6.28"	3.74"	3.74"	7.45"	1.87"	BV3BV*R-1001BBC	1002.50
1 1/4"	6.50"	3.74"	4.39"	7.45"	2.20"	BV3BV*R-1251BBC	1078.21
1 1/2"	6.99"	3.74"	4.86"	7.45"	2.43"	BV3BV*R-1501BBC	1539.81
2"	8.45"	4.69"	5.73"	9.10"	2.87"	BV3BV*R-2001BBC	2160.75
2 1/2"	8.90"	4.69"	6.93"	9.10"	3.47"	BV3BV*R-2501BBC	3332.62
3"	8.90"	4.69"	7.08"	9.10"	3.54"	BV3BV*R-3001BBC	3251.56



Double Acting

Dimensions are approximate. Engineering dimensions are available upon request. Specifications are subject to change without notice. * T = t-style * L = l-style

Size	Dimensions					Brass	
	A	B	C	D	E	Part #	Price/E
1/4"	3.76"	1.77"	2.64"	4.33"	1.32"	BV3BV*R-0251BCC	\$620.43
3/8"	3.76"	1.77"	2.64"	4.33"	1.32"	BV3BV*R-0381BCC	620.43
1/2"	3.76"	1.77"	2.87"	4.33"	1.44"	BV3BV*R-0501BCC	633.06
3/4"	3.85"	1.77"	3.19"	4.33"	1.60"	BV3BV*R-0751BCC	649.11
1"	5.53"	3.20"	3.74"	5.32"	1.87"	BV3BV*R-1001BCC	824.75
1 1/4"	5.75"	3.20"	4.39"	5.32"	2.20"	BV3BV*R-1251BCC	995.40
1 1/2"	6.24"	3.20"	4.86"	5.32"	2.43"	BV3BV*R-1501BCC	1315.61
2"	7.55"	3.74"	5.73"	5.51"	2.87"	BV3BV*R-2001BCC	1856.75
2 1/2"	8.00"	3.74"	6.93"	5.51"	3.47"	BV3BV*R-2501BCC	2972.35
3"	8.00"	3.74"	7.08"	5.51"	3.54"	BV3BV*R-3001BCC	2902.53



A wide variety of switches, solenoids, positioners, etc., are available. Contact Dixon® at 800.789.1718 or visit dixonvalve.com for details.

Caution !

Even though there are torque safety factors built into our automated ball valve packages, actual service conditions must also be considered when selecting the proper product for the appropriate application.

For example: Severe service conditions such as dirty water, dirty air, all slurries, raw sewage water, oils, and other viscous fluids can have a dramatic affect in raising the torque requirements of ball valves as much as 75% and therefore larger actuators may be required. Please consult Dixon® when dealing with these types of applications.

