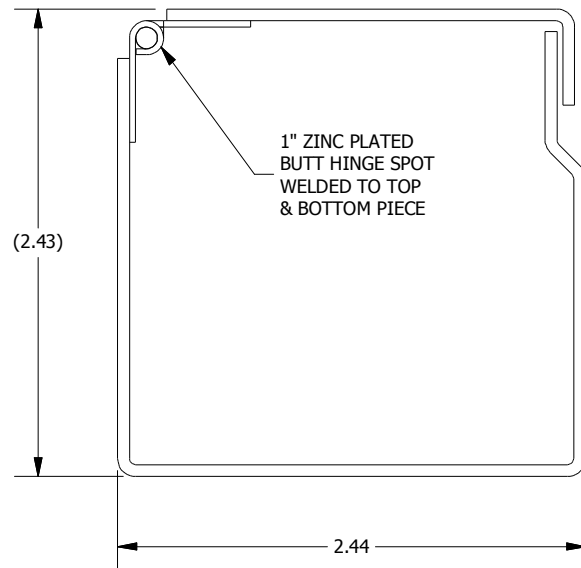
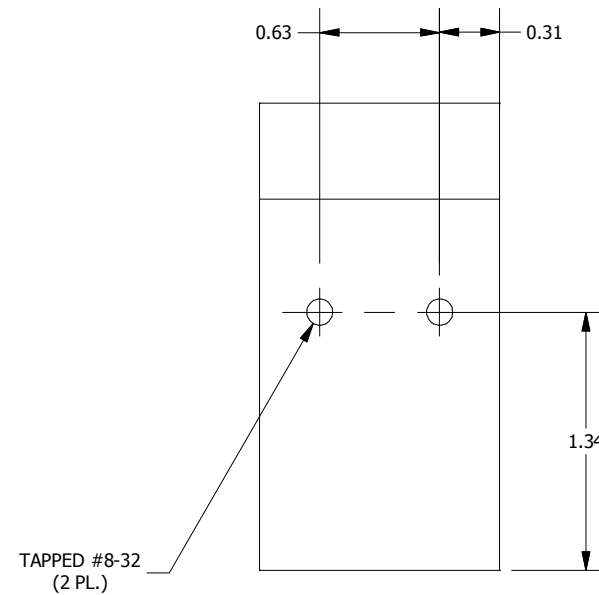




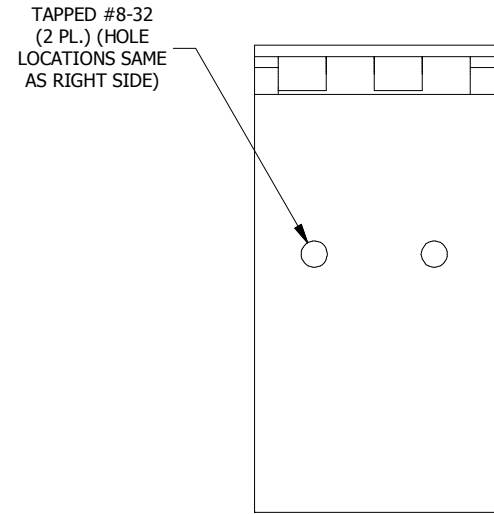
TOP VIEW



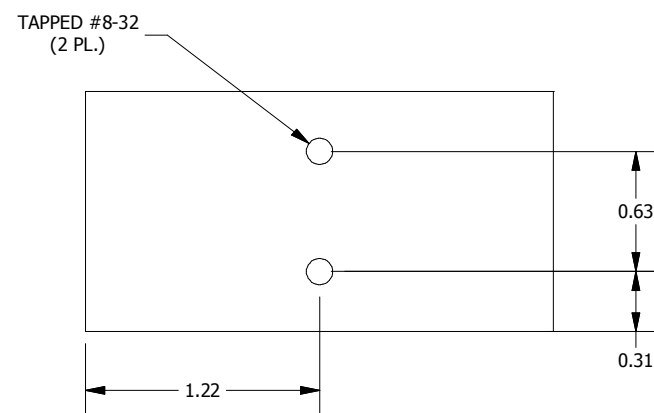
FRONT VIEW



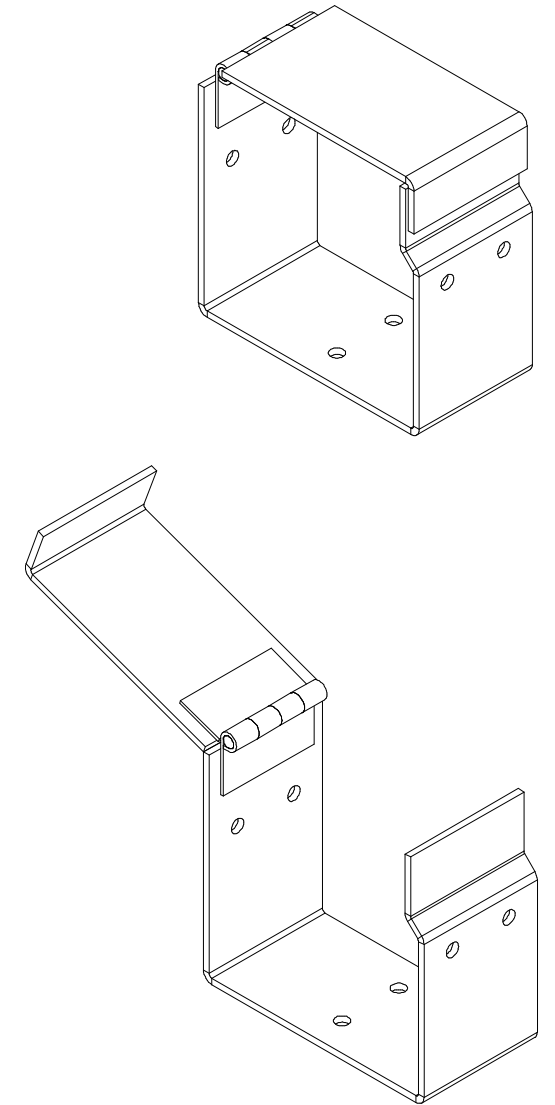
RIGHT SIDE VIEW



LEFT SIDE VIEW



BOTTOM VIEW



PART#: C0202
(DATA SUBJECT TO CHANGE WITHOUT NOTICE)

THIS DRAWING IS PROPERTY OF HUBBELL INC. WIEGMANN
ALL INFORMATION IS PROPRIETARY AND NOT TO BE DUPLICATED