

### SPLIT TAPER™ BUSHING TYPE

SPLIT TAPER™ Bushing Type Chain Couplings are made with solid steel sprockets with hardened teeth. They are machined specifically for exclusive SPLIT TAPER™ Bushings, which are interchangeable in the full range of sheaves, sprockets, gears, pulleys, hubs and other couplings.

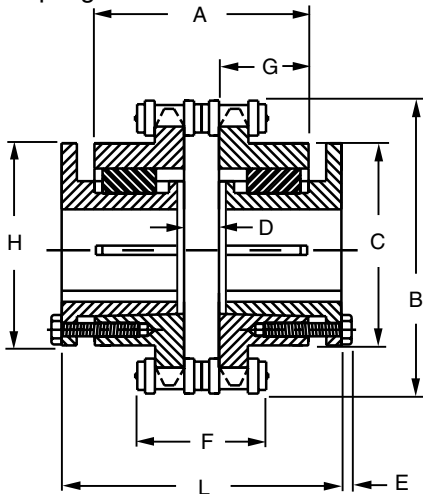
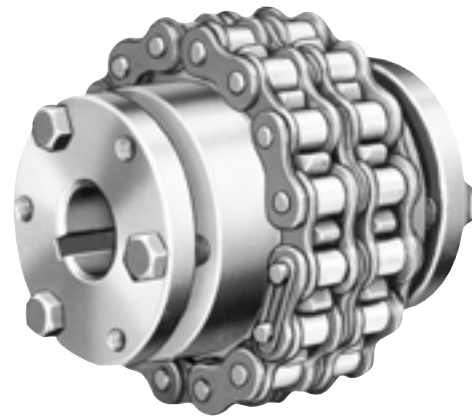


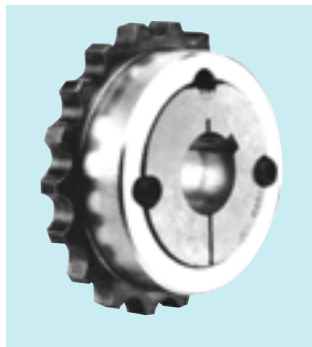
Table No. 5 SPLIT TAPER™ Bushing Type Chain Couplings - Specifications

Coupling Half Part No.*	Bushing		Dimensions - Inches										Wt. Lbs. Half Coupling
	Size	Bore Range	A	B	C	D	E	F	G	H	L		
C4020XH	H	3/8" - 1 1/2"	2 5/16	3 21/32	2 1/2	5/16	5/32	1.194	1	2 1/2	3 1/16	0.8	
C5016XH	H	3/8 - 1 1/2"	2 1/4	3 25/32	2 1/2	3/8	5/32	1.52	15/16	2 1/2	3 1/8	0.9	
C5018XP	P1	1/2 - 1 3/4"	3 3/16	4 3/16	2 31/32	3/8	13/64	1.52	1 13/32	3	4 7/16	1.8	
C6018XP	P1	1/2 - 1 3/4"	3 3/16	5 1/64	3 1/2	7/16	13/64	1.894	1 3/8	3	4 7/16	3.0	
C6020XB	B	1/2 - 2 7/16"	3 5/16	5 1/2	3 7/8	7/16	13/64	1.894	1 7/16	3 11/16	4 3/4	3.5	
C8018XQ	Q1	3/4 - 2 11/16"	4 1/16	6 11/16	4 9/16	9/16	15/64	2.432	1 3/4	4 1/8	5 9/16	6.0	
C10018XR	R1	1 1/8 - 3 3/4"	4 3/4	8 3/8	5 11/16	3/4	15/64	2.962	2	5 3/8	6 1/2	8.0	

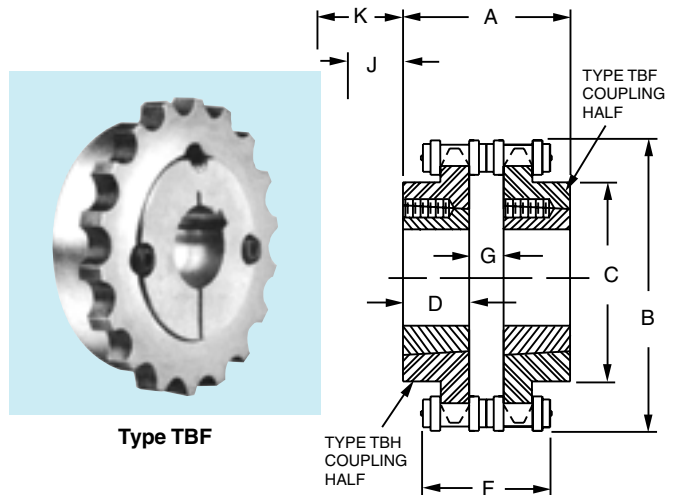
\*Packaged half coupling only. For complete couplings, order two halves, two bushings, one coupling chain and one cover.



Type TBH



Type TBF



### TAPER BORE BUSHING TYPE

Taper Bore Chain Couplings are made with solid steel sprockets with hardened teeth, and machined specifically for use with Taper Bore Couplings. They are available in two types: TBM - Bushing mounts on Hub side of coupling. TBF - Bushing mounts on Flange side of coupling.

Table No. 5 Taper Bore Chain Couplings - Specifications

Coupling Half Part No.*	Bushing		Dimensions - Inches										Wt. Lbs. Half Coupling
	Size	Bore Range	A	B	C	D	F	G	J <sup>①</sup>	K <sup>②</sup>			
C4016	1108	1/2" - 1 1/8"	2 1/16	3 1/2	1 31/32	7/8	1.262	5/16	5/8	3/4	0.5		
C5018	1610	1/2 - 1 5/8"	2 13/32	4 3/16	2 31/32	1	1.581	13/32	3/16	1 1/16	2.3		
C6020	2012	1/2 - 2"	2 31/32	5 1/2	3 7/8	1 1/4	1.973	15/32	15/16	1 3/8	5.2		
C8020	3020	15/16 - 3"	4 5/8	7 3/8	5 3/8	2	2.643	5/8	1 3/16	2 1/16	6.3		
C10020	3535	1 3/16 - 3 1/2"	7 3/4	9 1/8	6 23/32	3 1/2	3.175	3/4	1 5/16	2 11/16	19.6		

\* Packaged half coupling only. To form Part No., add size and "TBH" for Hub mount or "TBF" for Flange Mount — for example C4016x1180 TBH (or TBF). For complete coupling, order two halves, two bushings, one coupling chain and one cover.

- ① Space required to loosen screws and then remove hub with a wheel puller. Also space needed to straighten bushing with shortened hex key.
- ② Space needed to remove hub using the screws as jack screws with a shortened hex key.



Visit [www.kopflex.com](http://www.kopflex.com)