

**BALDOR® • RELIANCE** 

**Product Information Packet**

**CDP3445-V24**

**1HP, 1800RPM, DC, 56C, 3435P, TEFC, F3, N**

Part Detail							
Revision:	H	Status:	PRD/A	Change #:		Proprietary:	No
Type:	DC	Prod. Type:	3435P	Elec. Spec:	34WGZ619	CD Diagram:	CD0194
Enclosure:	TEFC	Mfg Plant:		Mech. Spec:	34-7074	Layout:	34LY7074
Frame:	56C	Mounting:	F3	Poles:	00	Created Date:	
Base:	RG	Rotation:	R	Insulation:	F	Eff. Date:	06-26-2018
Field Type:		Literature:		Elec. Diagram:		Replaced By:	

Specs			
Enclosure:	TEFC		
Frame:	56C		
Frame Material:	Steel		
XP Class and Group:	None		
Agency Approvals:	CSA		
	UR		
Base Indicator:	Rigid		
Bearing Grease Type:	Polyrex EM (-20F +300F)		
Drip Cover:	No Drip Cover		
Duty Rating:	CONT		
Feedback Device:	NO FEEDBACK		
Heater Indicator:	No Heater		
Insulation Class:	F		
Lifting Lugs:	No Lifting Lugs		
Motor Lead Quantity/Wire Size:	2 @ 10 AWG		
Motor Lead Exit:	SPECIAL (OLD)		

<b>Motor Lead Termination:</b>	Ring Terminals		
<b>Mounting Arrangement:</b>	F3		
<b>Product Family:</b>	General Purpose		
<b>Pulley End Bearing Type:</b>	Sealed Bearing		
<b>RoHS Status:</b>	ROHS COMPLIANT		
<b>Shaft Extension Location:</b>	Pulley End		
<b>Shaft Ground Indicator:</b>	No Shaft Grounding		
<b>Shaft Rotation:</b>	Reversible		
<b>Shaft Slinger Indicator:</b>	No Slinger		
<b>Motor Standards:</b>	NEMA		
<b>XP Division:</b>	Not Applicable		

Nameplate NP0111L	
CAT.NO.	CDP3445-V24
SPEC.	34-7074Z619
HP	1
RPM	1800
FRAME	56C
ARM V	24
FLD V	
INSUL	F
DUTY	CONT
BRG/DE	6203
BRUSHES	2/BP5112AU01
SER.	
BLANK	
APRV-CSA	<input type="checkbox"/>

		ENCL	TEFC
		TYPE	3435P
		ARM A	40.9
		FLD A	
	AMB.	40	
		SUPPLY	A
	BRG/ODE	6203	
		BLANK	
	APRV-UL	<input type="checkbox"/>	

Parts List		
Part Number	Description	Quantity
SA117092	SA 34-7074Z619	1.000 EA
AA010466	AA 34-7074Z619	1.000 EA
BP5112AU01	CARBON BRUSH - 12 DC - MZ75	2.000 EA
BP5100	SPRING PRESSURE BRACKET ASSY	2.000 EA
34RK5006A01	ROCKERARM ASSEMBLY MODEL 34 PM	1.000 EA
51XF1032A08	10/32X1/2 HXWSHR HD, SL, TYPE F ,SERATED	4.000 EA
86XN0832B06	8-32X3/8 BIND HD MACH,BRA	2.000 EA
HW1001B08	WASHER, #8 SPLT LD, BR	2.000 EA
WD1349	TERMINAL BLOCK, 2 STUD .25-20 BOLT	1.000 EA
34GS1023	GASKET, STRAIN RELIEF PLATE - CS-301 LEX	1.000 EA
51XW0832A07	8-32 X .44, TAPTITE II, HEX WSHR SLTD SE	4.000 EA
XY2520B12	1/4-20 BRASS NUT	4.000 EA
HW1000B25	1/4 SAE FL WASHER NARROW ID=.281 OD=.625	6.000 EA
34EP3112A03	FR EP, MACH MODEL 34 ENCL	1.000 EA
HW5100A03	WAVY WASHER (W1543-017)	1.000 EA
34CB4519	BRUSH INSPECTION COVER	2.000 EA
34GS1022	GASKET, BRUSH COVER LID, NEOPRENE NON CO	2.000 EA
51XW0832A07	8-32 X .44, TAPTITE II, HEX WSHR SLTD SE	4.000 EA
34EP3300A66	PU ENDPLATE, MACH W/INTERNAL RABBET	1.000 EA
51XN1032A20	10-32 X 1 1/4 HX WS SL SR	2.000 EA
34FN3002A01SP	EXTERNAL FAN, PLASTIC, .637/.639 HUB W/	1.000 EA
34FH5002A09	FAN COVER ASSY W/SHAFT COVER, ROTATED DI	1.000 EA
51XW1032A06	10-32 X .38, TAPTITE II, HEX WSHR SLTD S	3.000 EA
HW2501D13	KEY, 3/16 SQ X 1.375	1.000 EA

<b>Parts List (continued)</b>		
<b>Part Number</b>	<b>Description</b>	<b>Quantity</b>
HA7000A04	KEY RETAINER 0.625 DIA SHAFTS	1.000 EA
LD5000B14	LEAD ASSY, ML1400B08 W/#10 & .25 RING TE	1.000 EA
LB9000A51	LEAD MARKER - WM-A1	4.000 SH
LB9000A52	LEAD MARKER - WM-"A2"	4.000 SH
LD5000B14	LEAD ASSY, ML1400B08 W/#10 & .25 RING TE	1.000 EA
MG1000G27	MED CHARCOAL METALLIC GREY 400-0096	0.014 GA
85XU0407S04	4X1/4 U DRIVE PIN STAINLESS	2.000 EA
HA3100A56	THRUBOLT 10-32 X 8.625	4.000 EA
MN416A01	TAG-INSTAL-MAINT no wire (1200/bx) 5/18	1.000 EA
LB1119N	WARNING LABEL	1.000 EA
LC0194	CONNECTION LABEL	1.000 EA
NP0111L	NP STD LASER ENGRAVED DC MOTORS, UL CSA	1.000 EA
35PA1007	PKG GRP, PRINT PK1034A06	1.000 EA

**DC Motor Performance Data**

Record # 507 - Typical performance - not guaranteed values

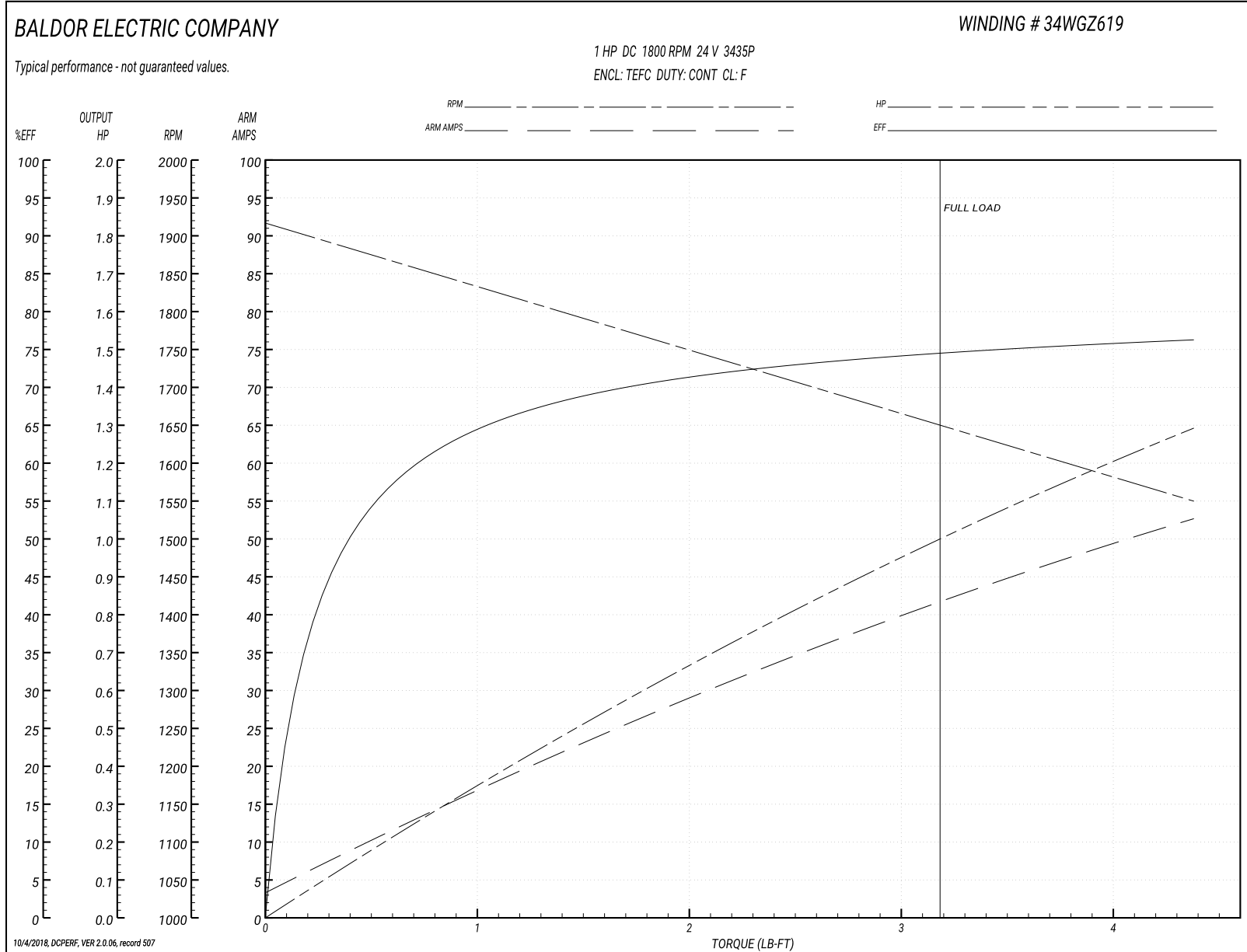
<b>Winding:</b> 34WGZ619-R001	<b>Type:</b> 3435P	<b>Enclosure:</b> TEFC
-------------------------------	--------------------	------------------------

Nameplate Data		General Characteristics	
Rated Output (HP)	1	Armature Resistance @ 25°C	0.059 Ω
R.P.M.	1800		
Armature Volts	24	Voltage Constant	12.36 v/krpm
Armature Amps	40.9		
Field Volts		Armature Inductance	0.292 mH
Field Amps		Armature Inertia	12.0522 LI <sup>2</sup>
Rating - Duty	40C AMB-CONT		
Power Supply Code	A		

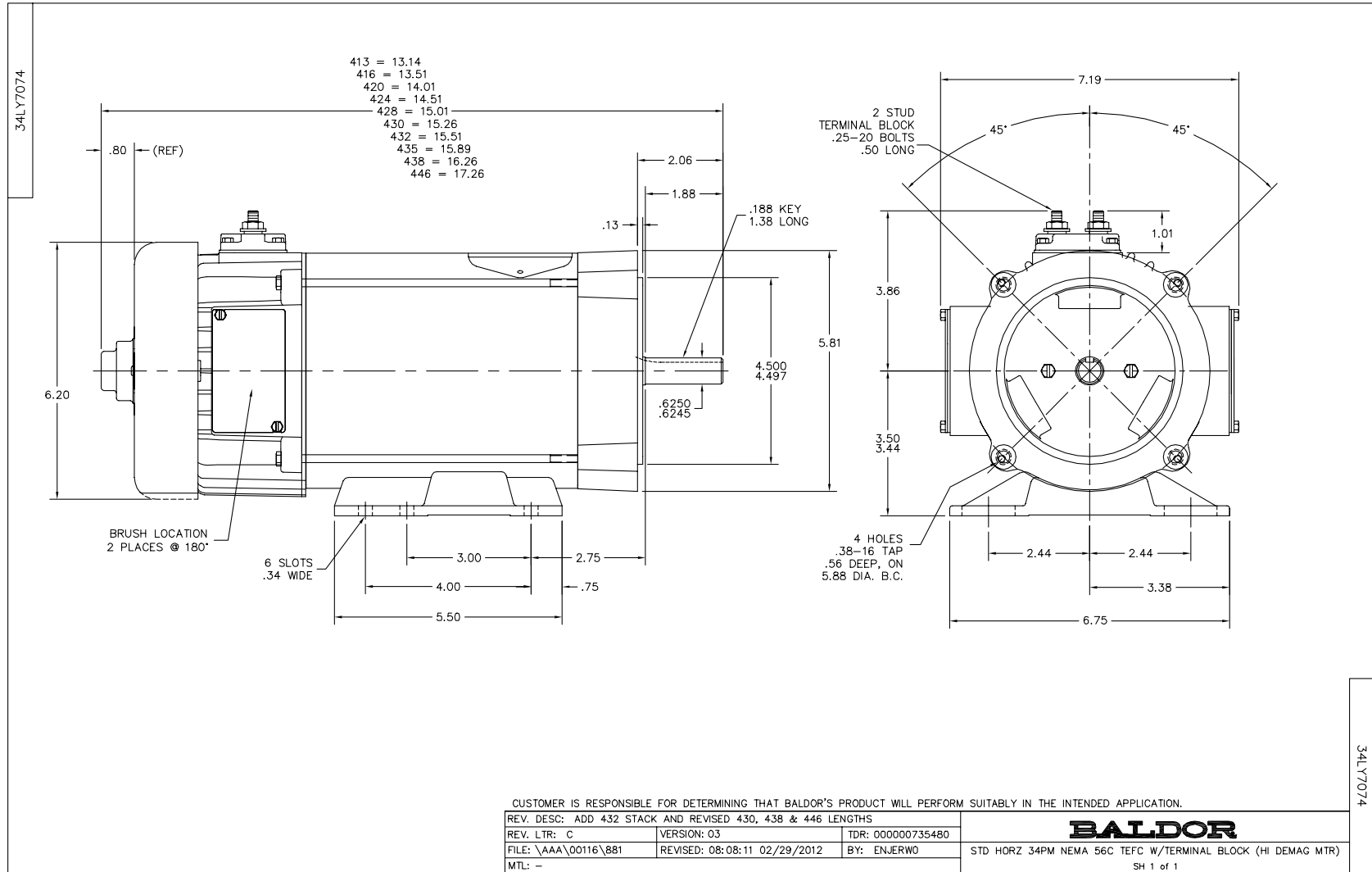
Load Characteristics at 24 Armature Volts

Load Point	1	2	3	4	5	6	7
Armature Amps	2.45	14.54	22.8	31.4	38.3	45.5	53.4
R.P.M.	1926	1844	1801	1730	1669	1603	1560
Torque ( LB-FT )	0	0.73	1.46	2.19	2.92	3.65	4.38

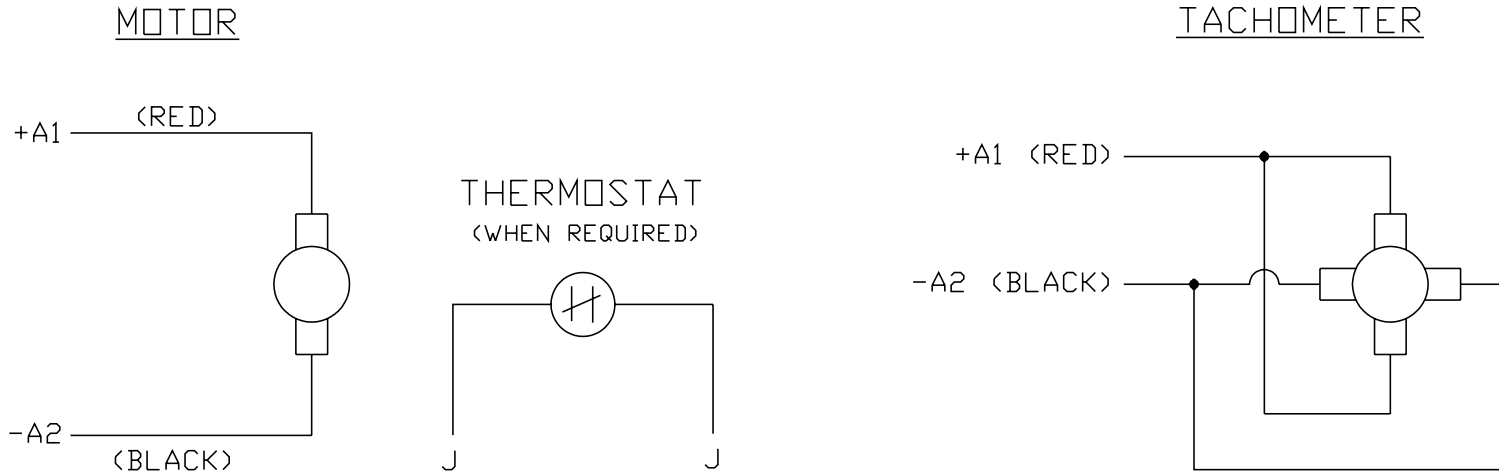
Performance Graph at 24.0 Arm V, 1.0HP Typical performance - Not guaranteed values







CD0194



NOTES:

1. CCW ROTATION AS SHOWN FACING COMMUTATOR END. TO REVERSE MOTOR ROTATION OR TACHOMETER OUTPUT POLARITY INTERCHANGE LEADS A1(RED) & A2(BLACK)
2. LEAD COLORS FOR REFERENCE ONLY & NOT SPECIFIED BY THIS DRAWING. LEAD COLORS SPECIFIED BY LAYOUT DRAWING & BILL OF MATERIAL ONLY.

MATL: -			
REV: E	ADDED NOTE "LEAD COLORS FOR REFERENCE ONLY &..."		
CD0194	SCALE: -	BY: CK	REVISED: 07/28/95
	FILE: AAA00004503	TDR: 0078737	

**BALDOR ELECTRIC Co.**

CD TYPE P DC PERMANENT MAGNET MOTORS AND TACHOMETERS

CD0194