

BALDOR® • RELIANCE 

Product Information Packet

CDPX3440

.75HP, 1750RPM, DC, 56C, X3435P, XPFC, F1

Part Detail							
Revision:	AE	Status:	PRD/A	Change #:		Proprietary:	No
Type:	DC	Prod. Type:	3435P	Elec. Spec:	34WG3675	CD Diagram:	CD0194
Enclosure:	XPFC	Mfg Plant:		Mech. Spec:	34-6519	Layout:	34LY6519
Frame:	56C	Mounting:	F1	Poles:	00	Created Date:	
Base:	RG	Rotation:	R	Insulation:	F	Eff. Date:	01-20-2017
Field Type:		Literature:		Elec. Diagram:		Replaced By:	

Specs			
Enclosure:	XPFC		
Frame:	56C		
Frame Material:	Steel		
XP Class and Group:	CLI GP D; CLII GP F,G		
Agency Approvals:	CSA		
	UL		
	UR		
Base Indicator:	Rigid		
Bearing Grease Type:	Polyrex EM (-20F +300F)		
Drip Cover:	No Drip Cover		
Duty Rating:	CONT		
Feedback Device:	NO FEEDBACK		
Heater Indicator:	No Heater		
Insulation Class:	F		
Lifting Lugs:	No Lifting Lugs		
Motor Lead Quantity/Wire Size:	2 @ 14 AWG, A		

Motor Lead Exit:	Ko Box		
Motor Lead Termination:	Flying Leads		
Mounting Arrangement:	F1		
Product Family:	General Purpose		
Pulley End Bearing Type:	Sealed Bearing		
Shaft Extension Location:	Pulley End		
Shaft Ground Indicator:	No Shaft Grounding		
Shaft Rotation:	Reversible		
Shaft Slinger Indicator:	No Slinger		
Motor Standards:	NEMA		
XP Division:	Division I		
XP Temp Code:	T3C		

Nameplate NP0727XPSL	
NO.	
SER.	
SPEC.	34-6519-3675G1
CAT.NO.	CDPX3440
HP	3/4 W
RPM	1750
FRAME	56C
ARM V	90
FLD V	
INSUL	F
DUTY	CONT
BRG/DE	6203
BRUSHES	2/BP5011CV01
BLANK	
	T. CODE T3C
	ENCL XPFC
	TYPE 3435P
	ARM A 7
	FLD A
	AMB. 40
	SUPPLY 1.5
	BRG/ODE 6203

Parts List		
Part Number	Description	Quantity
SA005406	SA 34-6519-3675G1	1.000 EA
AA003055	AA 34-6519-3675G1	1.000 EA
BP5011CV01SP	CARBON BRUSH - 33P, 180V	1.000 EA
BP5012A04SP	BRUSH SPRING FOR DC MOTORS	1.000 EA
MJ5000A01	SEALANT, CHICO A COMPOUND	0.050 LB
11XW1032G06	10-32 X .38, TAPTITE II, HEX WSHR SLTD U	1.000 EA
HW3001B01	BRASS CUP WASHER, FOR #10 SCREW	1.000 EA
35CB3001A01SP	EXPL CONDUIT BOX, MACH, 1/2" PIPE TAP LE	1.000 EA
51XW0832A07	8-32 X .44, TAPTITE II, HEX WSHR SLTD SE	4.000 EA
34EP2700A01	SPL FR.E.P. X34DC	1.000 EA
HW4030A01	1-1/2" N.P.T. PIPE PLUG W/SQ.HEAD	2.000 EA
HW3021E06	1/8 DIA X 5/8 ROLLPIN (F/S)	1.000 EA
HW4002A02	1-11.5X2LG PIPE NIPPLE (F/S)	1.000 EA
HW5100A03	WAVY WASHER (W1543-017)	1.000 EA
34EP3705A01SP	PU ENDPLATE, MACH	1.000 EA
34FN3002A01SP	EXTERNAL FAN, PLASTIC, .637/.639 HUB W/	1.000 EA
34FH4002A01SP	IEC FH NO GREASER PRIMED	1.000 EA
51XW1032A06	10-32 X .38, TAPTITE II, HEX WSHR SLTD S	3.000 EA
35CB3500A01SP	CONDUIT BOX LID, MACH	1.000 EA
51XN2520A16	SCREW, HEX WS SLT, ZN, 1/4-20 X 1.00	4.000 EA
HW2501D13	KEY, 3/16 SQ X 1.375	1.000 EA
HA7000A04	KEY RETAINER 0.625 DIA SHAFTS	1.000 EA
NP0018W	ALUM UL XP CONDUIT BOX NAMEPLATE	1.000 EA
HW1025A10	#10 BALANCE WASHER (SPL)	2.000 EA

Parts List (continued)		
Part Number	Description	Quantity
MG1025G29	WILKOFAS, 789.229, DARK CHARCOAL GRAY	0.014 GA
NP0731	NAMEPLATE, CAUTION FOR DC EXPLOSION PROO	1.000 EA
85XU0407S04	4X1/4 U DRIVE PIN STAINLESS	6.000 EA
ML14A1B14	14 AWG,A1,BLACK	8.500 IN
ML14A2B14	14 AWG,A2,BLACK	8.500 IN
34RK5004	ROCKERARM ASSY 34PM W/TP1515A01 T'STAT	1.000 EA
HA3104A26	5/16-18 X 8.75 THRU BOLT OHIO	4.000 EA
MN416A01	TAG-INSTAL-MAINT no wire (1200/bx) 5/18	1.000 EA
LB1119N	WARNING LABEL	1.000 EA
LB1161	LABEL,THERMOSTAT (ROLL LABEL)	1.000 EA
LC0194	CONNECTION LABEL	1.000 EA
NP0727XPSL	SS XP DC UL CSA CC CL-I GP-D CL-II GP-F&	1.000 EA
35PA1007	PKG GRP, PRINT PK1034A06	1.000 EA

DC Motor Performance Data

Record # 1430 - Typical performance - not guaranteed values

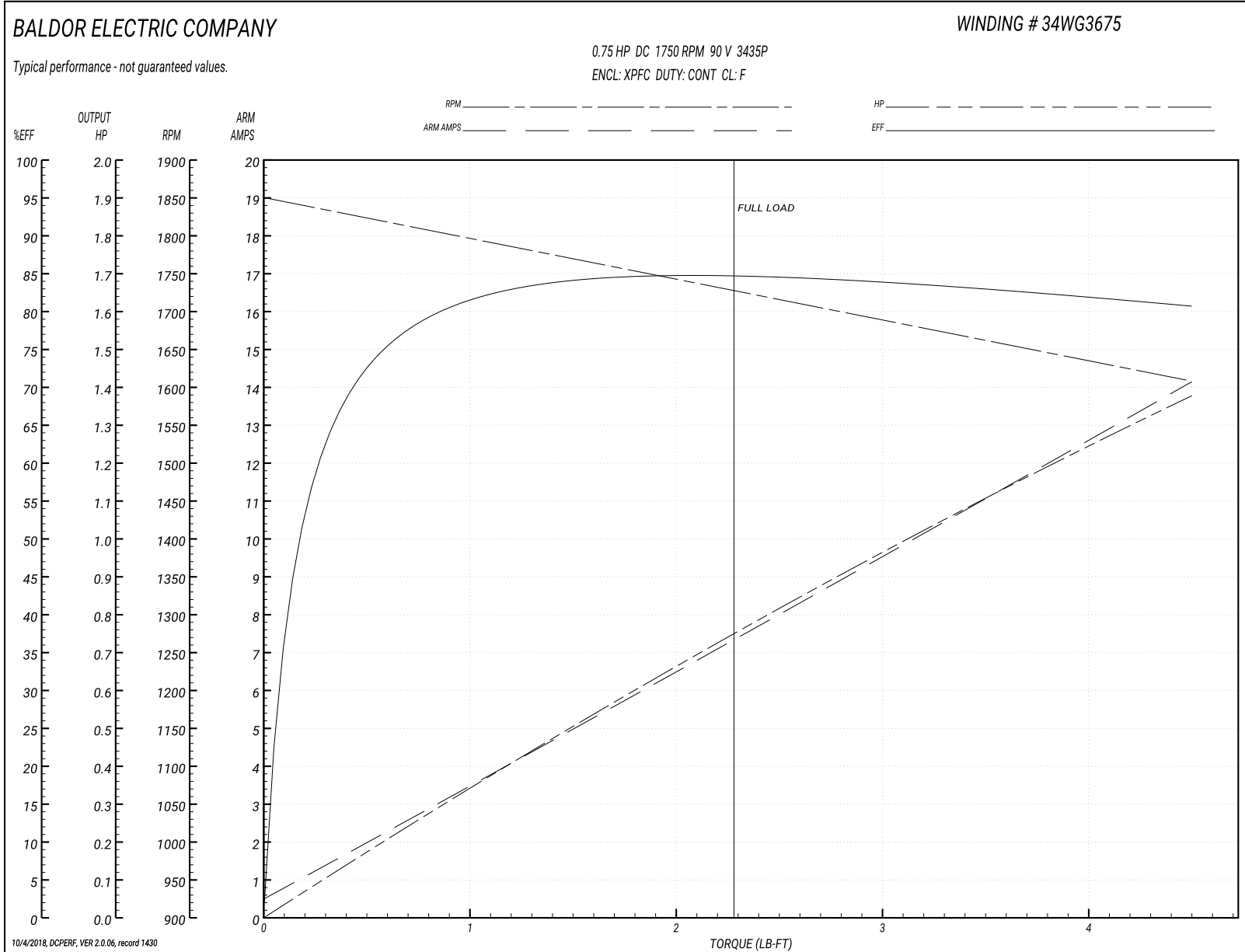
Winding: 34WG3675-R019	Type: 3435P	Enclosure: XPFC
-------------------------------	--------------------	------------------------

Nameplate Data		General Characteristics	
Rated Output (HP)	0.75	Armature Resistance @ 25°C	0.537 Ω
R.P.M.	1750		
Armature Volts	90		
Armature Amps	7		
Field Volts			
Field Amps			
Rating - Duty	40C AMB-CONT		
Form Factor	1.5		

Load Characteristics at 90 Armature Volts

Load Point	1	2	3	4	5	6
Armature Amps	0.5	5	7.2	9.65	11.7	14.2
R.P.M.	1853	1758	1727	1711	1642	1604
Torque (LB-FT)	0	1.5	2.25	3	3.75	4.5

Performance Graph at 90.0 Arm V, 0.75HP Typical performance - Not guaranteed values



DC Motor Performance Data

Record # 2007 - Typical performance - not guaranteed values

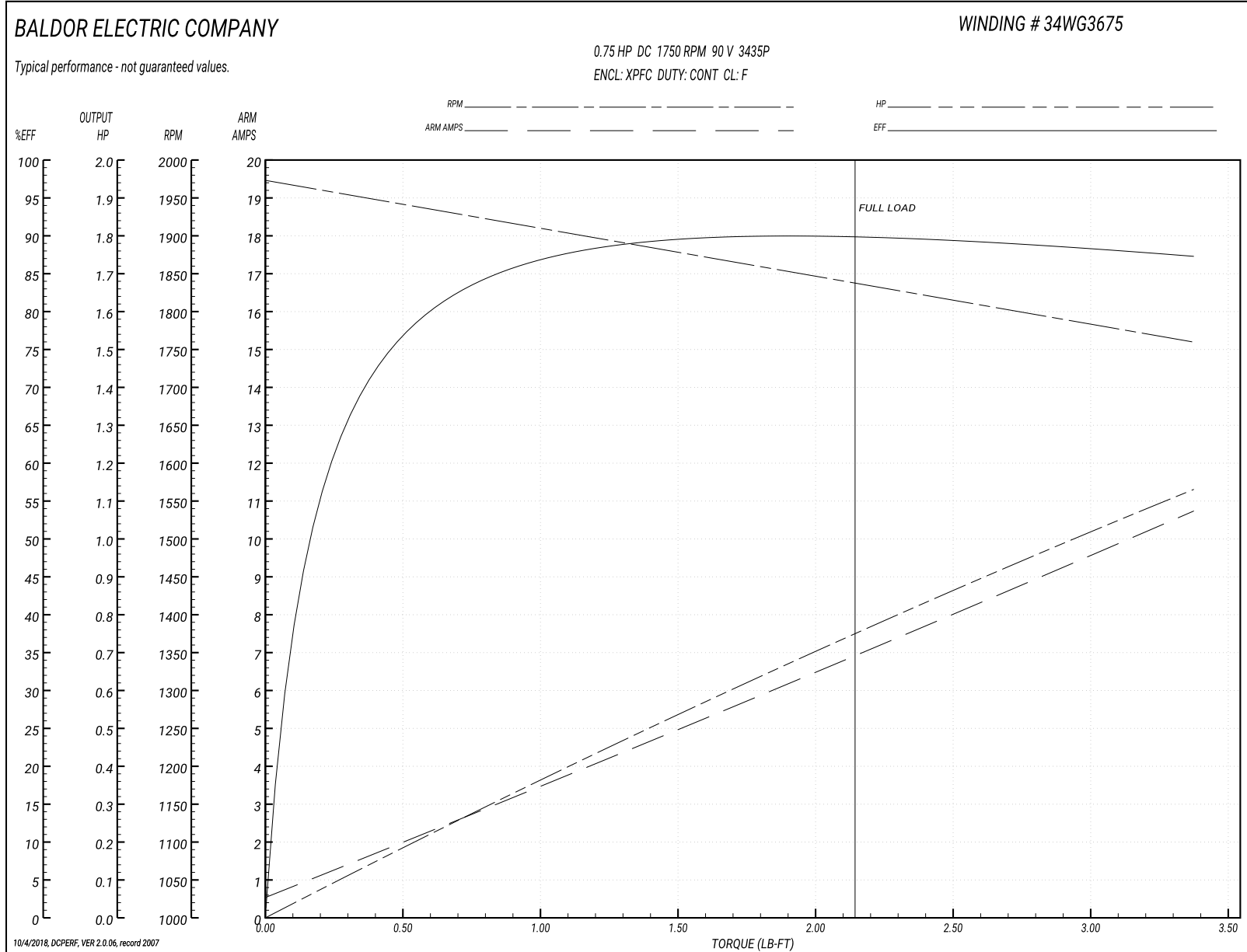
Winding: 34WG3675-R019	Type: 3435P	Enclosure: XPFC
-------------------------------	--------------------	------------------------

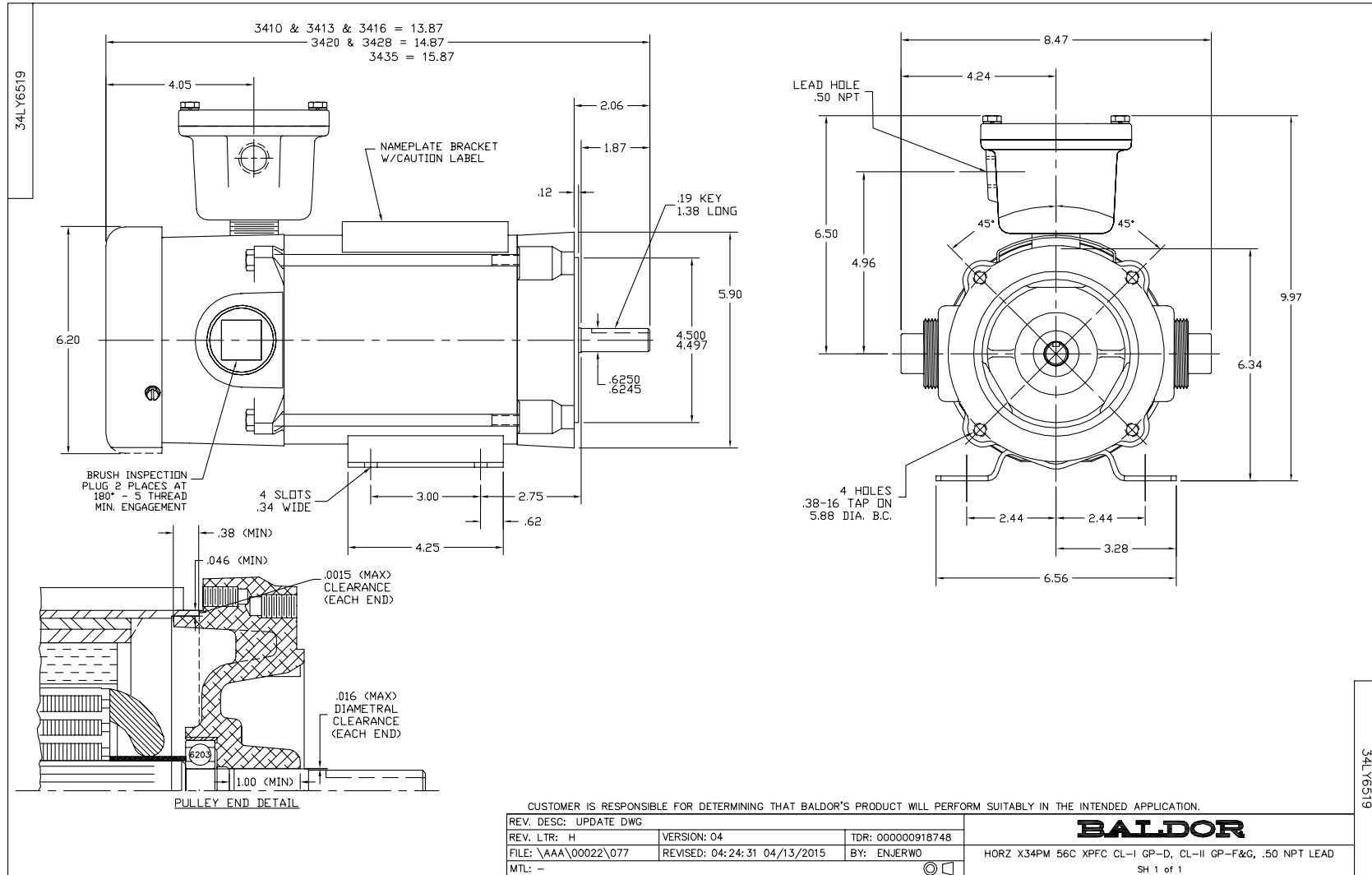
Nameplate Data		General Characteristics	
Rated Output (HP)	0.75	Armature Resistance @ 25°C	0.5743 Ω
R.P.M.	1750		
Armature Volts	90		
Armature Amps	7		
Field Volts		Armature Inductance	6.631536 mH
Field Amps			
Rating - Duty	40C AMB-CONT		
Form Factor	1.5		

Load Characteristics at 90 Armature Volts

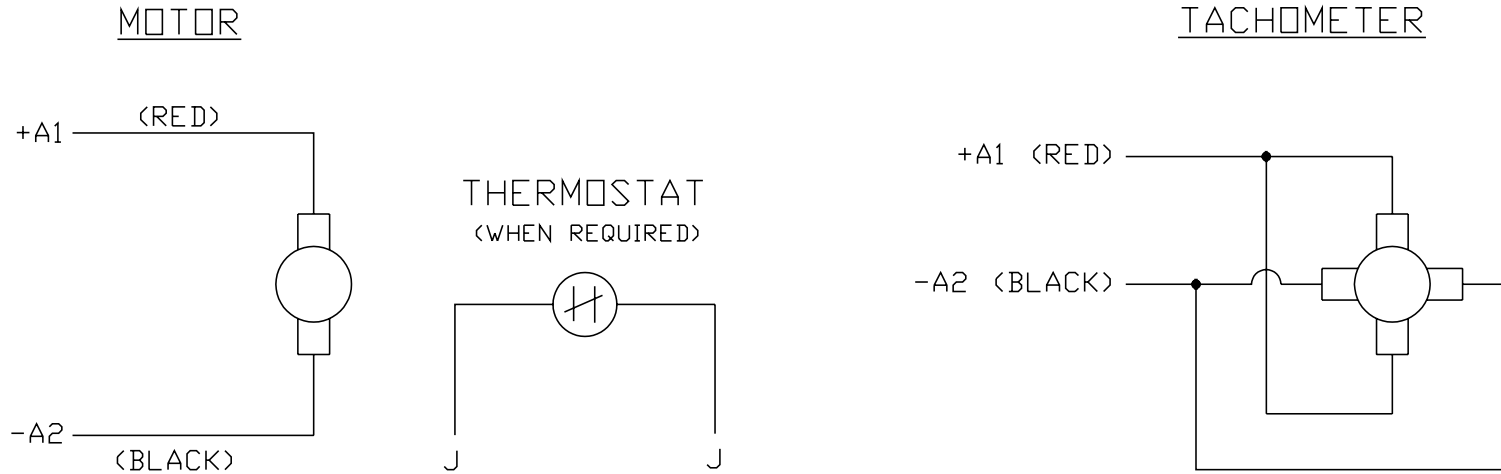
Load Point	1	2	3	4	5	6	7
Armature Amps	0.49	2.29	3.82	5.49	7.19	9.07	10.71
R.P.M.	1998	1927	1894	1844	1827	1806	1769
Torque (LB-FT)	0	0.563	1.125	1.688	2.25	2.813	3.375

Performance Graph at 90.0 Arm V, 0.75HP Typical performance - Not guaranteed values





CD0194



NOTES:

1. CCW ROTATION AS SHOWN FACING COMMUTATOR END. TO REVERSE MOTOR ROTATION OR TACHOMETER OUTPUT POLARITY INTERCHANGE LEADS A1(RED) & A2(BLACK)
2. LEAD COLORS FOR REFERENCE ONLY & NOT SPECIFIED BY THIS DRAWING. LEAD COLORS SPECIFIED BY LAYOUT DRAWING & BILL OF MATERIAL ONLY.

MATL: -			
REV: E	ADDED NOTE "LEAD COLORS FOR REFERENCE ONLY &..."		
761000	SCALE: -	BY: CK	REVISED: 07/28/95
	FILE: AAA00004503		TDR: 0078737

BALDOR ELECTRIC Co.

CD TYPE P DC PERMANENT MAGNET MOTORS AND TACHOMETERS

CD0194