

**BALDOR® • RELIANCE** 

**Product Information Packet**

**CECP4115T**

**50HP, 1775RPM, 3PH, 60HZ, 324TC, 1272M, TEFC, F**

Part Detail							
Revision:	L	Status:	PRD/A	Change #:		Proprietary:	No
Type:	AC	Elec. Spec:	12WGY141	CD Diagram:	CD0180	Mfg Plant:	
Mech. Spec:	12G214	Layout:	12LYG214	Poles:	04	Created Date:	01-10-2014
Base:	RG	Eff. Date:	08-25-2017	Leads:	9#6		

Specs			
Catalog Number:	CECP4115T	Insulation Class:	F
Enclosure:	TEFC	Inverter Code:	Inverter Duty
Frame:	324TC	KVA Code:	H
Frame Material:	Iron	Lifting Lugs:	Standard Lifting Lugs
Output @ Frequency:	50.000 HP @ 60 HZ	Locked Bearing Indicator:	Locked Bearing
Synchronous Speed @ Frequency:	1800 RPM @ 60 HZ	Motor Lead Quantity/Wire Size:	9 @ 6 AWG
Voltage @ Frequency:	460.0 V @ 60 HZ	Motor Lead Exit:	Ko Box
	230.0 V @ 60 HZ	Motor Lead Termination:	Flying Leads
XP Class and Group:	None	Motor Type:	1272M
XP Division:	Not Applicable	Mounting Arrangement:	F1
Agency Approvals:	UR	Power Factor:	85
	CSA EEV	Product Family:	Super-E Chemical Processing
	CSA	Pulley End Bearing Type:	Ball
Auxillary Box:	No Auxillary Box	Pulley Face Code:	C-Face
Auxillary Box Lead Termination:	None	Pulley Shaft Indicator:	Standard
Base Indicator:	Rigid	Rodent Screen:	None
Bearing Grease Type:	Polyrex EM (-20F +300F)	Shaft Extension Location:	Pulley End
Blower:	None	Shaft Ground Indicator:	No Shaft Grounding

<b>Constant Torque Speed Range:</b>	0.8	<b>Shaft Rotation:</b>	Reversible
<b>Current @ Voltage:</b>	116.000 A @ 230.0 V	<b>Shaft Slinger Indicator:</b>	Shaft Slinger
	58.000 A @ 460.0 V	<b>Speed Code:</b>	Single Speed
<b>Design Code:</b>	A	<b>Motor Standards:</b>	NEMA
<b>Drip Cover:</b>	No Drip Cover	<b>Starting Method:</b>	Direct on line
<b>Duty Rating:</b>	CONT	<b>Thermal Device - Bearing:</b>	NONE (OLD)
<b>Electrically Isolated Bearing:</b>	Not Electrically Isolated	<b>Thermal Device - Winding:</b>	None
<b>Feedback Device:</b>	NO FEEDBACK	<b>Vibration Sensor Indicator:</b>	No Vibration Sensor
<b>Front Face Code:</b>	Standard	<b>Winding Thermal 1:</b>	None
<b>Front Shaft Indicator:</b>	None	<b>Winding Thermal 2:</b>	None
<b>Heater Indicator:</b>	No Heater	<b>XP Temp Code:</b>	T3

Nameplate NP3241

CAT.NO.	CECP4115T	P/N		ENCLOSURE	TEFC
SPEC.	12G214Y141G1	CC	010A	FRAME	324TC
HP	50	CLASS	F	HZ	60
RPM	1775	RPM MAX	2700	PH	3
VOLT	230/460	MOTOR WEIGHT	700	KVA-CODE	H
AMP	116/58	SER.F.	1.15	PF	85
RATING	40C AMB-CONT	NEMA-NOM-EFF	94.5	ODE BRG	6312
				DE BRG	6312
				GREASE	POLYREX EM
				INV.TYPE	PWM
TEMP CODE	T3	INVERTER-TEMP-CODE	200		
TEMP =	200	C HP FR	60	C HP TO	90
CT HZ FROM	0.8	CT HZ TO	60		
HTR-VOLTS		HTR-AMPS		HTR-WATTS	
				MAX. SPACE HEATER TEMP.	
				VT HZ FROM	0
				VT HZ TO	60

Parts List		
Part Number	Description	Quantity
SA274991	SA 12G214Y141G1	1.000 EA
RA261573	RA 12G214Y141G1	1.000 EA
09FN3001C03	EXTERNAL FAN, PLASTIC	1.000 EA
10CB1000A203P	CONDUIT BOX, MACH W/EPOXY PRIMER	1.000 EA
09GS1010	GASKET, DWG, LEADWIRE SEPERATOR	1.000 EA
10XN3118K16	5/16-18 X 1' GRADE #5, STL, ZINC PLATE	4.000 EA
HW1001A31	LOCKWASHER 5/16, ZINC PLT.591 OD, .319 I	4.000 EA
WD1000B25	GND LUG, BURNDY L125HP OR T&B L125HP-BB	1.000 EA
19XW3118G08	.31-18X.50,HEX WSHR HD,TAPTITE 2,GREEN	1.000 EA
HW1001A31	LOCKWASHER 5/16, ZINC PLT.591 OD, .319 I	1.000 EA
HA4017A02	.125X2.50 GREASER EXTENS.F/S	1.000 EA
HW4019A01	PIPE COUPLING 1/8 NPT,STEEL,ZINC COATING	1.000 EA
HA4017A01	1/8 X 4 GREASE EXT (F/S)	1.000 EA
HW4500A20	1/8NPT SL PIPE PLUG	1.000 EA
HA3400A13	STUD, 1/2-13 X 7" WELKER	4.000 EA
HW1001A50	LOCKWASHER 1/2, ZINC PLT.,.879 OD, .509 I	4.000 EA
HW4600B41	V-RING SLINGER 2.125 X 2.880 X 0.280	1.000 EA
HW5100A15	W4997-050 WVY WSHR (WB)	1.000 EA
10XN3118K40	5/16-18 X 2.50" HEX HD, GRADE 5	2.000 EA
12EP1105A97P	PU EP, MACH, PLS W/EPOXY PRIMER	1.000 EA
10XN5013K28	1/2-13 X 1.75 HEX HEAD MACH SCREW,GRAD	4.000 EA
HW1001A50	LOCKWASHER 1/2, ZINC PLT.,.879 OD, .509 I	4.000 EA
HW4600B41	V-RING SLINGER 2.125 X 2.880 X 0.280	1.000 EA
HW4500A20	1/8NPT SL PIPE PLUG	1.000 EA

Parts List (continued)		
Part Number	Description	Quantity
10XN3118K44	5/16-18 X 2.75" HEX HD, GRADE 5	4.000 EA
12FH1002A59P	FAN COVER, MACH W/EPOXY PRIMER	1.000 EA
XY5013A12	NUT,1/2-13,HEX,STEEL,ZINCPLATED	4.000 EA
HW1001A50	LOCKWASHER 1/2, ZINC PLT.,.879 OD, .509 I	4.000 EA
10CB1503A01P	CONDUIT BOX LIPPED LID, MACH W/EPXY PRMR	1.000 EA
14GS1003	GASKET CONDUIT BOX LID, NEOP	1.000 EA
10XN2520K16	1/4-20 X 1" HX HD SCRW GRADE 5, ZINC P	4.000 EA
HW1001A25	LOCKWASHER 1/4, ZINC PLT .493 OD, .255 I	4.000 EA
HW2501H33	KEY, 1/2 SQ X 3.875	1.000 EA
MJ5001A27	32220KN GRAY SEALER *MIN BUY 4 QTS=1GAL	0.031 QT
MJ5001A14	DYNAPRO SEALANT, CP MTR VC#2508050 (603	0.030 EA
LB1115N	LABEL,LIFTING DEVICE (ON ROLLS)	1.000 EA
12EP1111A57GP6	FR ENDPLATE, MACH W/EPOXY PRIMER & RELIA	1.000 EA
MN416A01	TAG-INSTAL-MAINT no wire (1200/bx) 5/18	1.000 EA
LB1002N	LABEL,MARINE DUTY (ON ROLLS)	1.000 EA
HW4500A17	317400 ALEMITE GREASE RELIEF	1.000 EA
HW4500A21	1618BALEMITE FITTING 825 UNIVERSAL	1.000 EA
HA4051A00	PLASTIC CAP FOR GREASE FITTING	1.000 EA
HA4054	SHORT T-DRAIN FITTING, .125" N.P.T.	1.000 EA
HA4054	SHORT T-DRAIN FITTING, .125" N.P.T.	1.000 EA
MJ1000A02	GREASE, POLYREX EM EXXON (USe 4824-15A)	0.200 LB
HW4500A17	317400 ALEMITE GREASE RELIEF	1.000 EA
HW4500A03	GREASE FITTING, .125 NPT 1610(ALEMITE) 8	1.000 EA
HA4051A00	PLASTIC CAP FOR GREASE FITTING	1.000 EA

Product Information Packet: CECP4115T - 50HP,1775RPM,3PH,60HZ,324TC,1272M,TEFC,F

HW2500A25	WOODRUFF KEY USA #1008 #BLOW CARBON STEE	1.000 EA
51XB1214A20	12-14X1.25 HXWSSLD SERTYB	1.000 EA
MG1025N19	WILKOFAS, 778.50, RELIANCE BLUE-GREEN	0.080 GA
85XU0407S04	4X1/4 U DRIVE PIN STAINLESS	2.000 EA
LB1119N	WARNING LABEL	1.000 EA
LC0181	CONNECTION LABEL	1.000 EA
NP3241	SS SUPER-E INV UL CSA-EEV PREM CC	1.000 EA
12PA1000	PACKAGING GROUP PRINT PK1024A06	1.000 EA
LB1449	DIV-2/NEC WARNING LABEL	1.000 EA

**AC Induction Motor Performance Data**

Record # 47180 - Typical performance - not guaranteed values

<b>Winding:</b> 12WGY141-R031	<b>Type:</b> 1272M	<b>Enclosure:</b> TEFC
-------------------------------	--------------------	------------------------

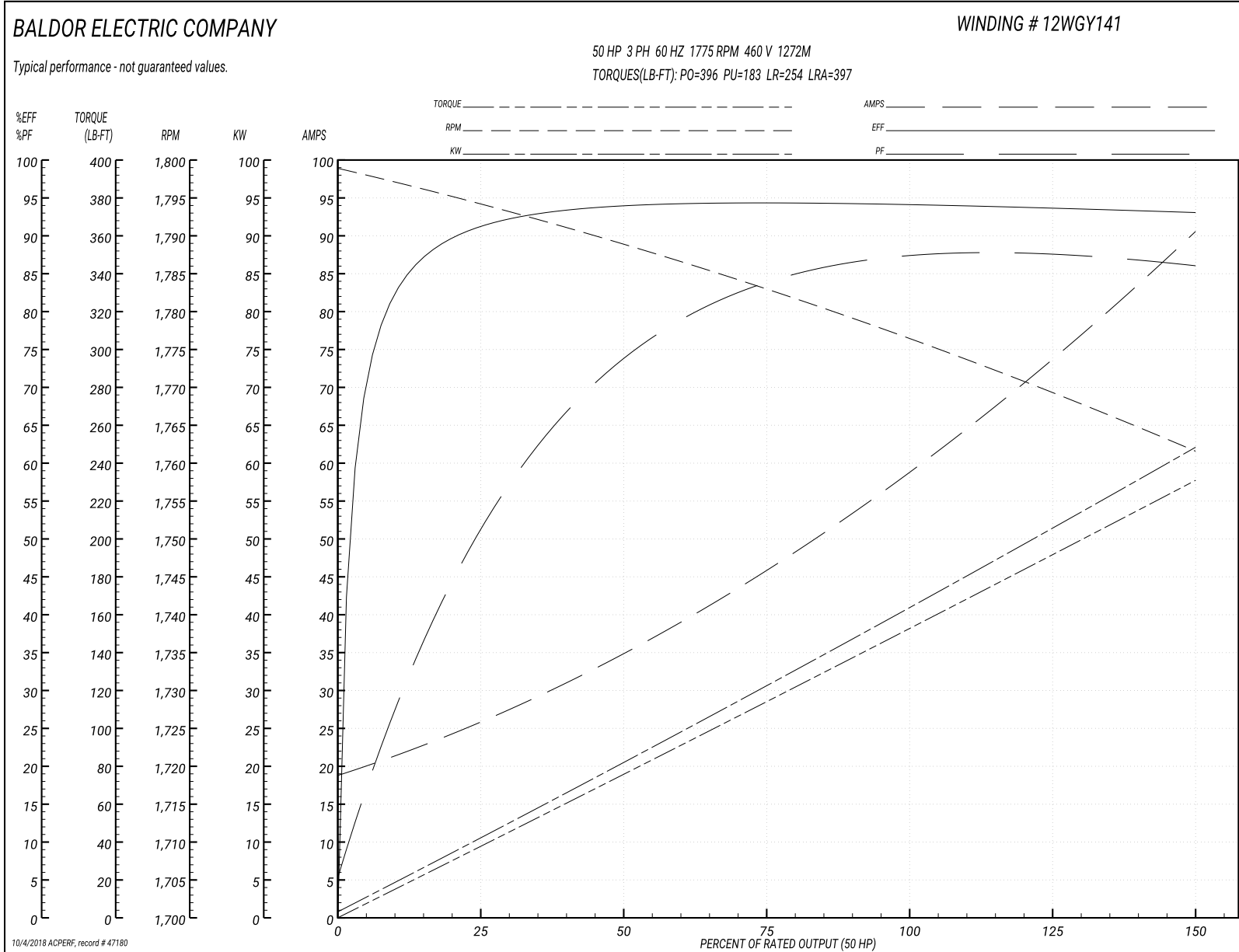
Nameplate Data				460 V, 60 Hz: High Voltage Connection	
Rated Output (HP)	50			Full Load Torque	147 LB-FT
Volts	230/460			Start Configuration	direct on line
Full Load Amps	116/58			Breakdown Torque	396 LB-FT
R.P.M.	1775			Pull-up Torque	183 LB-FT
Hz	60	Phase	3	Locked-rotor Torque	254 LB-FT
NEMA Design Code	A	KVA Code	H	Starting Current	397 A
Service Factor (S.F.)	1.15			No-load Current	19.8 A
NEMA Nom. Eff.	94.5	Power Factor	85	Line-line Res. @ 25°C	0.10889 Ω
Rating - Duty	40C AMB-CONT			Temp. Rise @ Rated Load	64°C
S.F. Amps				Temp. Rise @ S.F. Load	79°C

Load Characteristics 460 V, 60 Hz, 50 HP

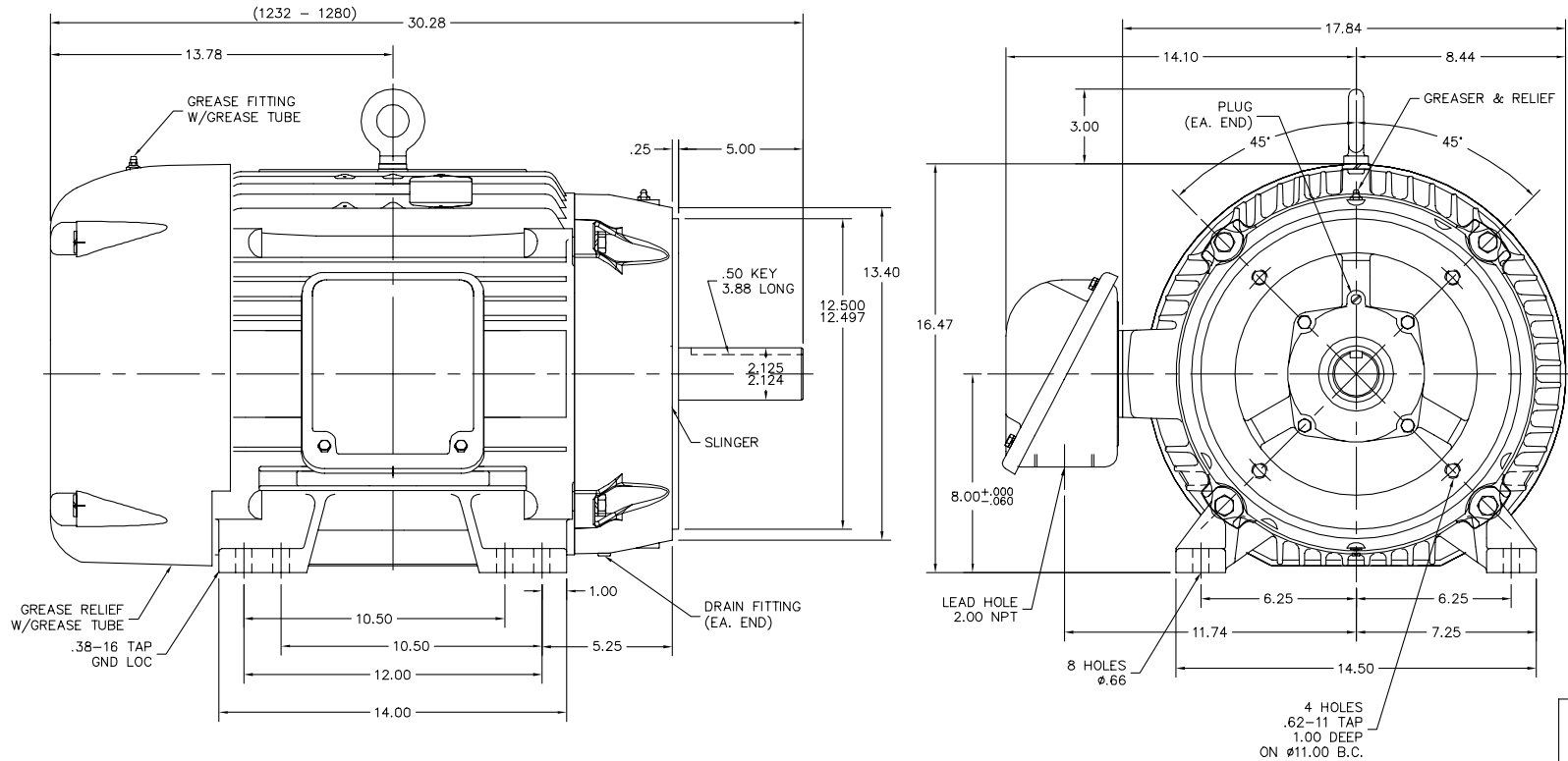
% of Rated Load	25	50	75	100	125	150	S.F.
Power Factor	53	74	83	86	87	87	87
Efficiency	91.3	94.3	94.8	94.6	94	93.1	94.2
Speed	1794.5	1789.3	1783.5	1777.5	1770.7	1761.5	1773
Line amperes	24.2	33.5	44.7	57.6	71.5	90	65.9



Performance Graph at 460V, 60Hz, 50.0HP Typical performance - Not guaranteed values



12LYG214



12LYG214

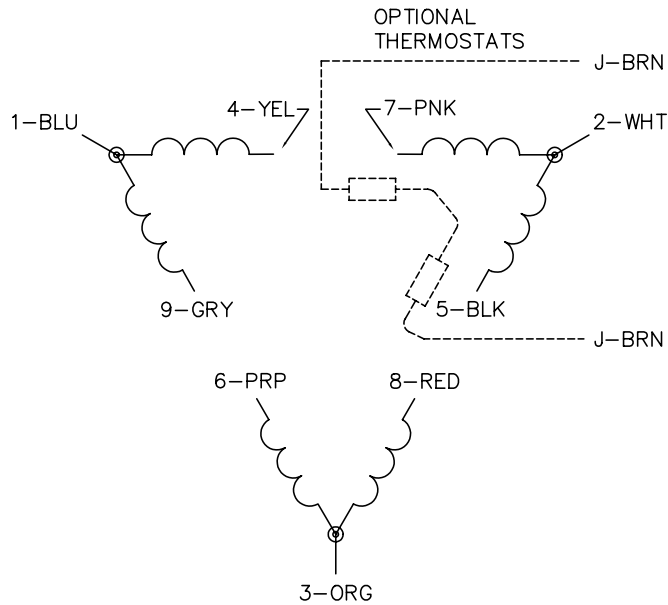
CUSTOMER IS RESPONSIBLE FOR DETERMINING THAT BALDOR'S PRODUCT WILL PERFORM SUITABLY IN THE INTENDED APPLICATION.

REV. DESC: ADDED GND HOLE TAP SIZE	VERSION: 03	TDR: 000000954909
REV. LTR: C	REVISED: 12:33:07 12/07/2015	BY: ENNINDO
FILE: \AAA\00181\610		
MTL: -		

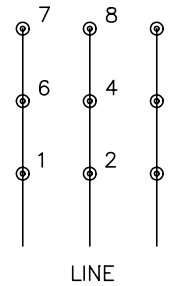
**BALDOR**

HORZ TEFC 324-6TC ECP W/312 BRGS & PLS  
SH 1 of 1

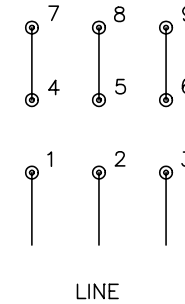
CD0180



LOW VOLTAGE  
(2D)



HIGH VOLTAGE  
(1D)



NOTES:

1. INTERCHANGE ANY TWO LINE LEADS TO REVERSE ROTATION.
2. OPTIONAL THERMOSTATS ARE PROVIDED WHEN SPECIFIED.
3. ACTUAL NUMBER OF INTERNAL PARALLEL CIRCUITS MAY BE A MULTIPLE OF THOSE SHOWN ABOVE.
4. LEAD COLORS ARE OPTIONAL. LEADS MUST ALWAYS BE NUMBERED AS SHOWN.

REV. DESC: REVISE TO SHOW OPTIONAL COLORS			
REV. LTR: C	BY: JLP	REVISED: 01/21/99 2:28	TDR: 0171435
0810D0		FILE: AAA00005148	MDL: -
		MTL: -	

**BALDOR ELECTRIC Co.**

3PH, DV, 9 LEADS, DELTA CONNECTION

CD0180

Marketing maintained PDF of MN416:

<http://www.baldor.com/support/Literature/Load.ashx/MN416?ManNumber=MN416>