

**BALDOR® • RELIANCE** 

**Product Information Packet**

**CECP83770T-4**

**7.5HP, 1765RPM, 3PH, 60HZ, 213TC, 0740M, TEFC**

Part Detail							
Revision:	V	Status:	PRD/A	Change #:		Proprietary:	No
Type:	AC	Elec. Spec:	07WGX814	CD Diagram:	CD0006	Mfg Plant:	
Mech. Spec:	07M320	Layout:	07LYM320	Poles:	04	Created Date:	08-21-2012
Base:	RG	Eff. Date:	10-31-2017	Leads:	3#14		

Specs			
Catalog Number:	CECP83770T-4	Inverter Code:	Inverter Duty
Enclosure:	TEFC	KVA Code:	H
Frame:	213TC	Lifting Lugs:	Standard Lifting Lugs
Frame Material:	Iron	Locked Bearing Indicator:	Locked Bearing
Output @ Frequency:	7.500 HP @ 60 HZ	Motor Lead Quantity/Wire Size:	3 @ 14 AWG
Synchronous Speed @ Frequency:	1800 RPM @ 60 HZ	Motor Lead Exit:	Ko Box
Voltage @ Frequency:	460.0 V @ 60 HZ	Motor Lead Termination:	Flying Leads
XP Class and Group:	None	Motor Type:	0740M
XP Division:	Not Applicable	Mounting Arrangement:	F1
Agency Approvals:	CSA	Power Factor:	81
	CSA EEV	Product Family:	Chem Process S/P 32-8 IEEE 841
	UR	Pulley End Bearing Type:	Ball
Auxillary Box:	No Auxillary Box	Pulley Face Code:	C-Face
Auxillary Box Lead Termination:	None	Pulley Shaft Indicator:	Standard
Base Indicator:	Rigid	Rodent Screen:	None
Bearing Grease Type:	Polyrex EM (-20F +300F)	RoHS Status:	ROHS COMPLIANT
Blower:	None	Shaft Extension Location:	Pulley End
Constant Torque Speed Range:	1.2	Shaft Ground Indicator:	No Shaft Grounding

<b>Current @ Voltage:</b>	9.500 A @ 460.0 V	<b>Shaft Rotation:</b>	Reversible
<b>Design Code:</b>	B	<b>Shaft Slinger Indicator:</b>	Shaft Slinger
<b>Drip Cover:</b>	No Drip Cover	<b>Speed Code:</b>	Single Speed
<b>Duty Rating:</b>	CONT	<b>Motor Standards:</b>	NEMA
<b>Electrically Isolated Bearing:</b>	Not Electrically Isolated	<b>Starting Method:</b>	Direct on line
<b>Feedback Device:</b>	NO FEEDBACK	<b>Thermal Device - Bearing:</b>	NONE (OLD)
<b>Front Face Code:</b>	Standard	<b>Thermal Device - Winding:</b>	None
<b>Front Shaft Indicator:</b>	None	<b>Vibration Sensor Indicator:</b>	No Vibration Sensor
<b>Heater Indicator:</b>	No Heater	<b>Winding Thermal 1:</b>	None
<b>Insulation Class:</b>	F	<b>Winding Thermal 2:</b>	None
		<b>XP Temp Code:</b>	T3C

<b>Nameplate NP3235E</b>											
<b>CAT.NO.</b>	CECP83770T-4										
<b>SPEC.</b>	07M320X814										
<b>HP</b>	7.5	TE						<b>IP</b>	56		
<b>VOLTS</b>	460										
<b>AMP</b>	9.5										
<b>RPM</b>	1765										
<b>FRAME</b>	213TC					<b>HZ</b>	60				
<b>SER.F.</b>	1.15			<b>CODE</b>	H	<b>DES</b>	B			<b>PH</b>	3
<b>RATING</b>	40C AMB-CONT									<b>CL</b>	F
<b>SN</b>											
<b>DE</b>	6307					<b>ODE</b>	6307				
<b>NEMA-NOM-EFF</b>	91.7			<b>PF</b>	81						
<b>G.MIN.EFF</b>	90.2			<b>CC</b>	010A						
<b>T. CODE</b>	T3C			<b>T=</b>	160						

<b>Nameplate NP3186E</b>			
<b>SPEC.</b>	07M320X814		
<b>D.E. BRG.</b>	35BC03X30X		
<b>O.D.E. BRG.</b>	35BC03X30X		
<b>GREASE</b>	POLYREX EM		
<b>WEIGHT</b>	211	<b># OF ROTOR BARS</b>	28
<b>RPM MAX</b>	2700	<b>MAX. KVAR</b>	1.5
<b>BLANK</b>			<b># OF STATOR SLOTS</b> 36
<b>INV.TYPE</b>	PWM		
<b>T=</b>	160		
<b>C HP FR</b>	60	<b>C HP TO</b>	90
<b>CT HZ FROM</b>	1.2	<b>CT HZ TO</b>	60
<b>VT HZ FROM</b>	0-	<b>VT HZ TO</b>	60
<b>HTR-VOLTS</b>	N/A	<b>HTR-AMPS</b>	N/A
<b>HTR-WATTS</b>			<b>MAX. SPACE HEATER TEMP.</b> N/A

Parts List		
Part Number	Description	Quantity
SA250197	SA 07M320X814	1.000 EA
RA237053	RA 07M320X814	1.000 EA
37FN3002C01	EXFN, PLASTIC, 6.00 OD, 1.155 ID	1.000 EA
HW3201A05	3/8-16 EYEBOLT	1.000 EA
09CB1002A05G	CONDUIT BOX, 1.00 N.P.T. (GRAY)	1.000 EA
RM1017	LEAD SEPERATOR GASKET MODEL 307 1/8" THK	1.000 EA
19XW2520A16	SCREW,1/4-20X1 TAPTITE-II OR ROLOC 91	2.000 EA
11XW1032G06	10-32 X .38, TAPTITE II, HEX WSHR SLTD U	1.000 EA
HW3001B01	BRASS CUP WASHER, FOR #10 SCREW	1.000 EA
10XN2520S06	1/4 20X3/8 HX HD CAP S.S.	1.000 EA
WD1000B16	T&B CX70TN TERMINAL	1.000 EA
07EP1119A02G	206 BRG,C.I.FH,GRSR,RLF,DRAIN FITTING,IN	1.000 EA
HW4601B25	INPRO SEAL, 307 BRG, MINI66	1.000 EA
10XN2520A26	1/4-20X 1 5/8 HEX HD	4.000 EA
HW4500A32	FIT./EXT 1698-B (ALEMITE)GREASE FITTING	1.000 EA
HA4051A00	PLASTIC CAP FOR GREASE FITTING	1.000 EA
HW4500A17	317400 ALEMITE GREASE RELIEF	1.000 EA
HA4010A01	T-DRAIN PLUG,416 S.S.,W/ 1/4-28 THD & .0	1.000 EA
HW5100A08	W3118-035 WVY WSHR (WB)	1.000 EA
37EP1314A01G	PU ENDPLATE, MACH GRAY	1.000 EA
HW4601B25	INPRO SEAL, 307 BRG, MINI66	1.000 EA
HW4500A01	1641B(ALEMITE)400 UNIV, GREASE FITT	1.000 EA
HA4051A00	PLASTIC CAP FOR GREASE FITTING	1.000 EA
HW4500A17	317400 ALEMITE GREASE RELIEF	1.000 EA

Parts List (continued)		
Part Number	Description	Quantity
HA4002A03	#304 S.S. DRAIN FITTING, .125 NPT (.44 H	1.000 EA
10XN2520A30	HEX HD CAP SCREW-STD THD-.25 X 20 THD PE	2.000 EA
XY3118A12	5/16-18 HEX NUT DIRECTIONAL SERRATION	4.000 EA
07FH1001A01G	SPL FAN HOUSING, 307, W/GREASER, GRAY EP	1.000 EA
10XN2520A28	1/4-20X 1 3/4 HEX HD	3.000 EA
WD4100A02	DP-1000 HEYCO PLUG OR 62MP1000 MICRO PL	1.000 EA
12CB1503G	CONDUIT BOX CAST. (GRAY)	1.000 EA
09GS1013A01	09 GS FOR 09CB3501 LID - BLACK NEOPRENE	1.000 EA
10XN2520A12	O1/4-20X 3/4 HEX HEAD CAP	2.000 EA
MJ5004A59	ADHESIVE LOCTITE #401 SURFACE INSENSITIV	0.010 EA
HW1001A25	LOCKWASHER 1/4, ZINC PLT .493 OD, .255 I	2.000 EA
HW2501F21	KEY, 5/16 SQ X 2.375	1.000 EA
HA7000A02	KEY RETAINER RING, 1 1/8 DIA, 1 3/8 DIA	1.000 EA
MJ5001A27	32220KN GRAY SEALER *MIN BUY 4 QTS=1GAL	0.001 QT
MJ1000A73	INPRO P-80 ASSEMBLY LUB./ 1 QT. CONTAIN	0.001 QT
85XU0407S04	4X1/4 U DRIVE PIN STAINLESS	4.000 EA
LB1115N	LABEL,LIFTING DEVICE (ON ROLLS)	1.000 EA
LT0019A00	MOTOR NO-LOAD PERFORMANCE DATA SHEET	1.000 EA
WD1000D21	TRM,T&B #B71M,RING,18-14,.25,NON-INSL	3.000 EA
MJ1000A02	GREASE, POLYREX EM EXXON (USe 4824-15A)	0.050 LB
HA3104A32	THRUBOLT- 5/16-18 X12.750	4.000 EA
51XB1214A20	12-14X1.25 HXWSSLD SERTYB	1.000 EA
MG1025N19	WILKOFASST, 778.50, RELIANCE BLUE-GREEN	0.036 GA
LB1119N	WARNING LABEL	1.000 EA

Product Information Packet: CECP83770T-4 - 7.5HP,1765RPM,3PH,60HZ,213TC,0740M,TEFC

LC0006	CONNECTION LABEL	1.000 EA
LB1449	DIV-2/NEC WARNING LABEL	1.000 EA
NP3235E	SS IEEE841 DIV-2 UL CSA-C US EEV PREM	1.000 EA
NP3186E	SS IEEE841 INV AUX DATA INFORMATION	1.000 EA
07PA1011	PKG GRP, 07 CAST IRON PK1181	1.000 EA
10XL3808A28	3/8 X 1 3/4" LAG SCREW	2.000 EA
MN416A01	TAG-INSTAL-MAINT no wire (1200/bx) 5/18	1.000 EA



**AC Induction Motor Performance Data**

Record # 51816 - Typical performance - not guaranteed values

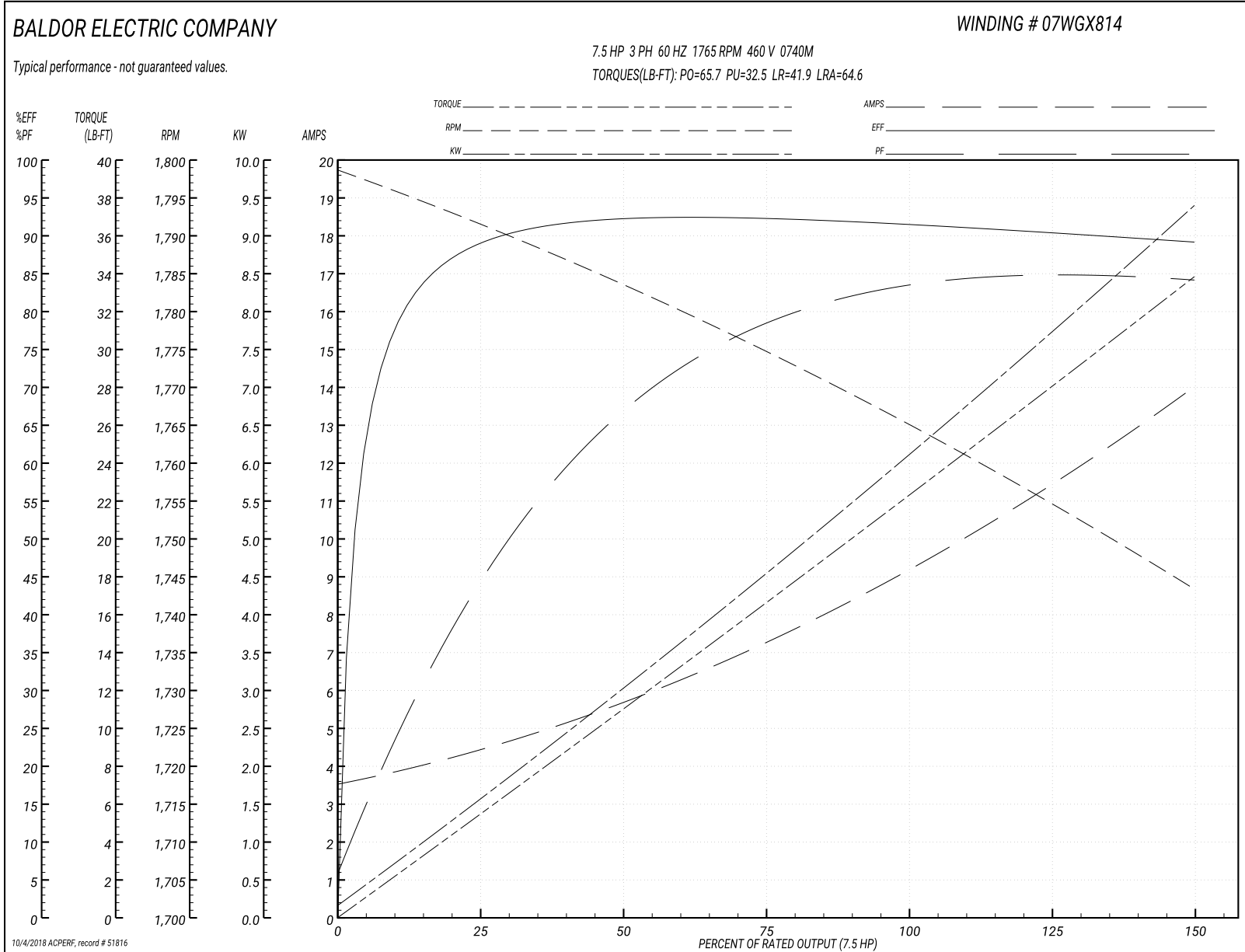
<b>Winding:</b> 07WGX814-R056	<b>Type:</b> 0740M	<b>Enclosure:</b> TEFC
-------------------------------	--------------------	------------------------

Nameplate Data				460 V, 60 Hz: Single Voltage Motor	
Rated Output (HP)	7.5			Full Load Torque	22.37 LB-FT
Volts	460			Start Configuration	direct on line
Full Load Amps	9.5			Breakdown Torque	65.7 LB-FT
R.P.M.	1765			Pull-up Torque	32.5 LB-FT
Hz	60	Phase	3	Locked-rotor Torque	41.9 LB-FT
NEMA Design Code	B	KVA Code	H	Starting Current	64.6 A
Service Factor (S.F.)	1.15			No-load Current	3.67 A
NEMA Nom. Eff.	91.7	Power Factor	81	Line-line Res. @ 25°C	1.47 Ω
Rating - Duty	40C AMB-CONT			Temp. Rise @ Rated Load	57°C
S.F. Amps				Temp. Rise @ S.F. Load	71°C
				Locked-rotor Power Factor	36.2
				Rotor inertia	0.984 LB-FT <sup>2</sup>

Load Characteristics 460 V, 60 Hz, 7.5 HP

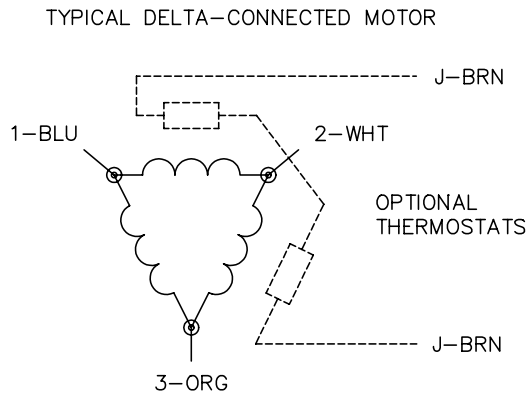
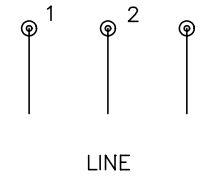
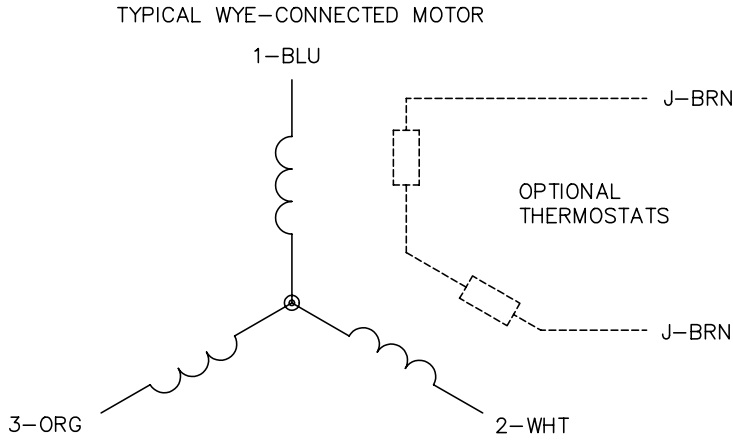
% of Rated Load	25	50	75	100	125	150	S.F.
Power Factor	47	69	78	83	84	85	81
Efficiency	88.8	92.1	92.2	91.7	90.5	89.1	91.3
Speed	1791	1783	1775	1765	1755	1743	1758
Line amperes	4.29	5.61	7.32	9.29	11.6	13.9	10.9

Performance Graph at 460V, 60Hz, 7.5HP Typical performance - Not guaranteed values





CD0006



NOTES:

1. THREE LEAD MOTOR MAY BE EITHER WYE CONNECTED OR DELTA CONNECTED.
2. INTERCHANGE ANY TWO LINE LEADS TO REVERSE ROTATION.
3. OPTIONAL THERMOSTATS ARE PROVIDED WHEN SPECIFIED.
4. ACTUAL NUMBER OF INTERNAL PARALLEL CIRCUITS MAY VARY.
5. LEAD COLORS ARE OPTIONAL. LEADS MUST BE NUMBERED AS SHOWN.

REV. DESC: REVISE TO SHOW OPTIONAL COLORS			
REV. LTR: D	BY: JLP	REVISED: 01/21/99 4:02	TDR: 0171435
9000D		FILE: AAA00005141	MDL: -
		MTL: -	

**BALDOR ELECTRIC Co.**

3PH, SV, 3 LEADS, WYE OR DELTA CONNECTED

CD0006