

BALDOR® • RELIANCE 

Product Information Packet

CEL11303

.5HP,3450RPM,1PH,60HZ,56C,3413LC,OPEN,F1

Part Detail							
Revision:	D	Status:	PRD/A	Change #:		Proprietary:	No
Type:	AC	Elec. Spec:	34WGR142	CD Diagram:	CD0055	Mfg Plant:	
Mech. Spec:	34F867	Layout:	34LYF867	Poles:	02	Created Date:	09-25-2014
Base:	RG	Eff. Date:	08-24-2018	Leads:	6#18		

Specs			
Catalog Number:	CEL11303	Inverter Code:	Not Inverter
Enclosure:	OPEN	KVA Code:	L
Frame:	56C	Lifting Lugs:	No Lifting Lugs
Frame Material:	Steel	Locked Bearing Indicator:	Locked Bearing
Output @ Frequency:	.500 HP @ 60 HZ	Motor Lead Quantity/Wire Size:	6 @ 18 AWG
Synchronous Speed @ Frequency:	3600 RPM @ 60 HZ	Motor Lead Exit:	Ko Box
Voltage @ Frequency:	115.0 V @ 60 HZ	Motor Lead Termination:	Flying Leads
	230.0 V @ 60 HZ	Motor Type:	3413LC
XP Class and Group:	None	Mounting Arrangement:	F1
XP Division:	Not Applicable	Power Factor:	91
Agency Approvals:	UR	Product Family:	General Purpose
	CSA	Pulley End Bearing Type:	Ball
Auxillary Box:	No Auxillary Box	Pulley Face Code:	C-Face
Auxillary Box Lead Termination:	None	Pulley Shaft Indicator:	Standard
Base Indicator:	Rigid	Rodent Screen:	None
Bearing Grease Type:	Polyrex EM (-20F +300F)	RoHS Status:	ROHS COMPLIANT
Blower:	None	Shaft Extension Location:	Pulley End
Current @ Voltage:	2.500 A @ 230.0 V	Shaft Ground Indicator:	No Shaft Grounding

	4.900 A @ 115.0 V	Shaft Rotation:	Reversible
Design Code:	N	Shaft Slinger Indicator:	No Slinger
Drip Cover:	No Drip Cover	Speed Code:	Single Speed
Duty Rating:	CONT	Motor Standards:	NEMA
Electrically Isolated Bearing:	Not Electrically Isolated	Starting Method:	Direct on line
Feedback Device:	NO FEEDBACK	Thermal Device - Bearing:	NONE (OLD)
Front Face Code:	Standard	Thermal Device - Winding:	None
Front Shaft Indicator:	None	Vibration Sensor Indicator:	No Vibration Sensor
Heater Indicator:	No Heater	Winding Thermal 1:	None
Insulation Class:	B	Winding Thermal 2:	None

Nameplate NP3155L	
CAT.NO.	CEL11303
SPEC.	34F867R142G1
HP	.5
VOLTS	115/230
AMP	4.9/2.5
RPM	3450
FRAME	56C
	HZ 60
	PH 1
SER.F.	1.25
	CODE L
	DES N
	CL B
F.L. AVG. EFF.	72.4
	PF 91
RATING	40C AMB-CONT
CC	USABLE AT 208V
DE	6203
	ODE 6203
ENCL	OPEN
	SN
	SFA 5.8/2.9

Parts List		
Part Number	Description	Quantity
SA287675	SA 34F867R142G1	1.000 EA
RA273883	RA 34F867R142G1	1.000 EA
OC3025F11	CYL OIL CAP 25MFD/370V	1.000 EA
EC1400A03SP	ELEC CAP, 400-480 MFD, 125V, 1.81D X 3.	1.000 EA
NS2512A01	INSULATOR, CONDUIT BOX X	1.000 EA
34CB3002A	CB CAST W/.88 DIA HOLE	1.000 EA
51XB1016A07	10-16 X 7/16 HXWSSLD SERTYB	2.000 EA
11XW1032G06	10-32 X .38, TAPTITE II, HEX WSHR SLTD U	1.000 EA
51XW0832A07	8-32 X .44, TAPTITE II, HEX WSHR SLTD SE	2.000 EA
SP1006A01	TERM. BOARD, MODE 35 SW X H-23655	1.000 EA
34EP3210A01SP	FR ENDPLATE, MACH	1.000 EA
HW5100A03	WAVY WASHER (W1543-017)	1.000 EA
34CB3801	CAPACITOR BOX, DIE CAST	1.000 EA
51XB1214A08	12-14 X 1/2HX WS SL SR TYBX	2.000 EA
34GS5003A01	FOAM SLEEVE, ID = 2 1/16" X 4 3/8"	1.000 EA
51XN1032A20	10-32 X 1 1/4 HX WS SL SR	2.000 EA
34EP3401A01SP	PU ENDPLATE, MACH	1.000 EA
34AD2000	BAFFLE PLATE, STAMPED	1.000 EA
60XW0632A06	6-32 X 3/8 TORX HEAD SCREW TAPTITE II	4.000 EA
34CB4517	CB LID 4 MTG HOLES .22 DIA STAMPED, FOR	1.000 EA
51XW0832A07	8-32 X .44, TAPTITE II, HEX WSHR SLTD SE	4.000 EA
HW2501D13	KEY, 3/16 SQ X 1.375	1.000 EA
HA7000A04	KEY RETAINER 0.625 DIA SHAFTS	1.000 EA
85XU0407S04	4X1/4 U DRIVE PIN STAINLESS	2.000 EA

Parts List (continued)		
Part Number	Description	Quantity
MG1000Y03	MUNSELL 2.53Y 6.70/ 4.60, GLOSS 20,	0.014 GA
HA3100A28	THRUBOLT 10-32 X 8.187	4.000 EA
SP5051B11	MODEL 34/35 TYPE LC STATIONARY SWITCH	1.000 EA
LC0001A01	CONN LABEL / WARNING LABEL (LC0001 / LB1	1.000 EA
MN416A01	TAG-INSTAL-MAINT no wire (1200/bx) 5/18	1.000 EA
NP3155L	ALUM SUPER-E UL CSA CC "SEMS"	1.000 EA
35PA1000	PKG GRP, PRINT PK1008A06	1.000 EA

AC Induction Motor Performance Data

Record # 47426 - Typical performance - not guaranteed values

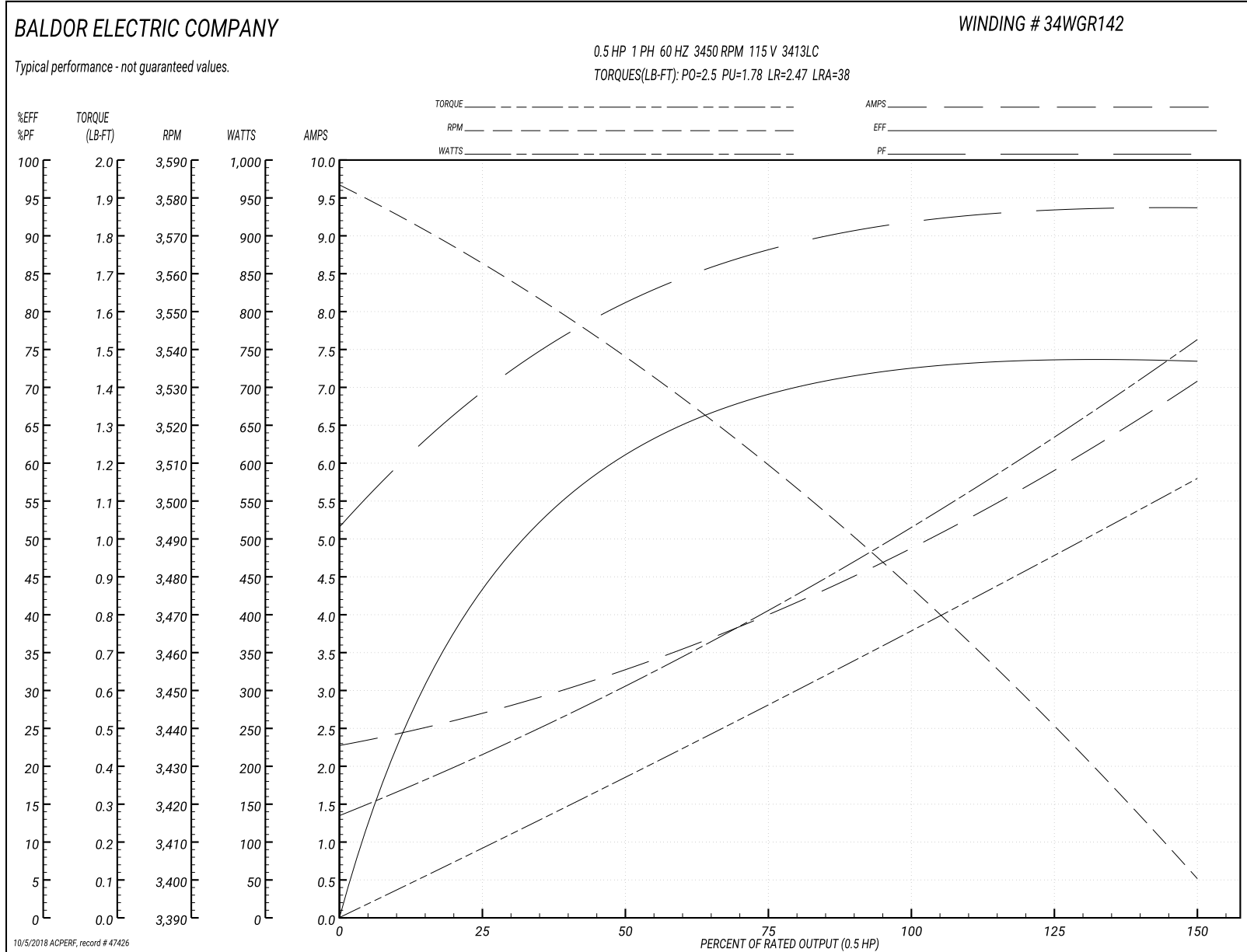
Winding: 34WGR142-R002	Type: 3413LC	Enclosure: OPEN
-------------------------------	---------------------	------------------------

Nameplate Data				115 V, 60 Hz: Low Voltage Connection	
Rated Output (HP)	.5			Full Load Torque	0.755 LB-FT
Volts	115/230			Start Configuration	direct on line
Full Load Amps	4.9/2.5			Breakdown Torque	2.5 LB-FT
R.P.M.	3450			Pull-up Torque	1.78 LB-FT
Hz	60	Phase	1	Locked-rotor Torque	2.47 LB-FT
NEMA Design Code	N	KVA Code	L	Starting Current	38 A
Service Factor (S.F.)	1.25			No-load Current	2.28 A
NEMA Nom. Eff.	72.4	Power Factor	91	Line-line Res. @ 25°C	1.1337 Ω A Ph 4.8491 Ω B Ph
Rating - Duty	40C AMB-CONT			Temp. Rise @ Rated Load	21°C
S.F. Amps	5.8/2.9			Temp. Rise @ S.F. Load	27°C

Load Characteristics 115 V, 60 Hz, 0.5 HP

% of Rated Load	25	50	75	100	125	150	S.F.
Power Factor	70	82	88	91	93	94	93
Efficiency	42.8	59.4	69.9	73.5	73	73.2	73
Speed	3561.5	3535	3512.3	3480.9	3435.5	3401.6	3436
Line amperes	2.67	3.33	3.96	4.83	6	7.05	6

Performance Graph at 115V, 60Hz, 0.5HP Typical performance - Not guaranteed values



AC Induction Motor Performance Data

Record # 49399 - Typical performance - not guaranteed values

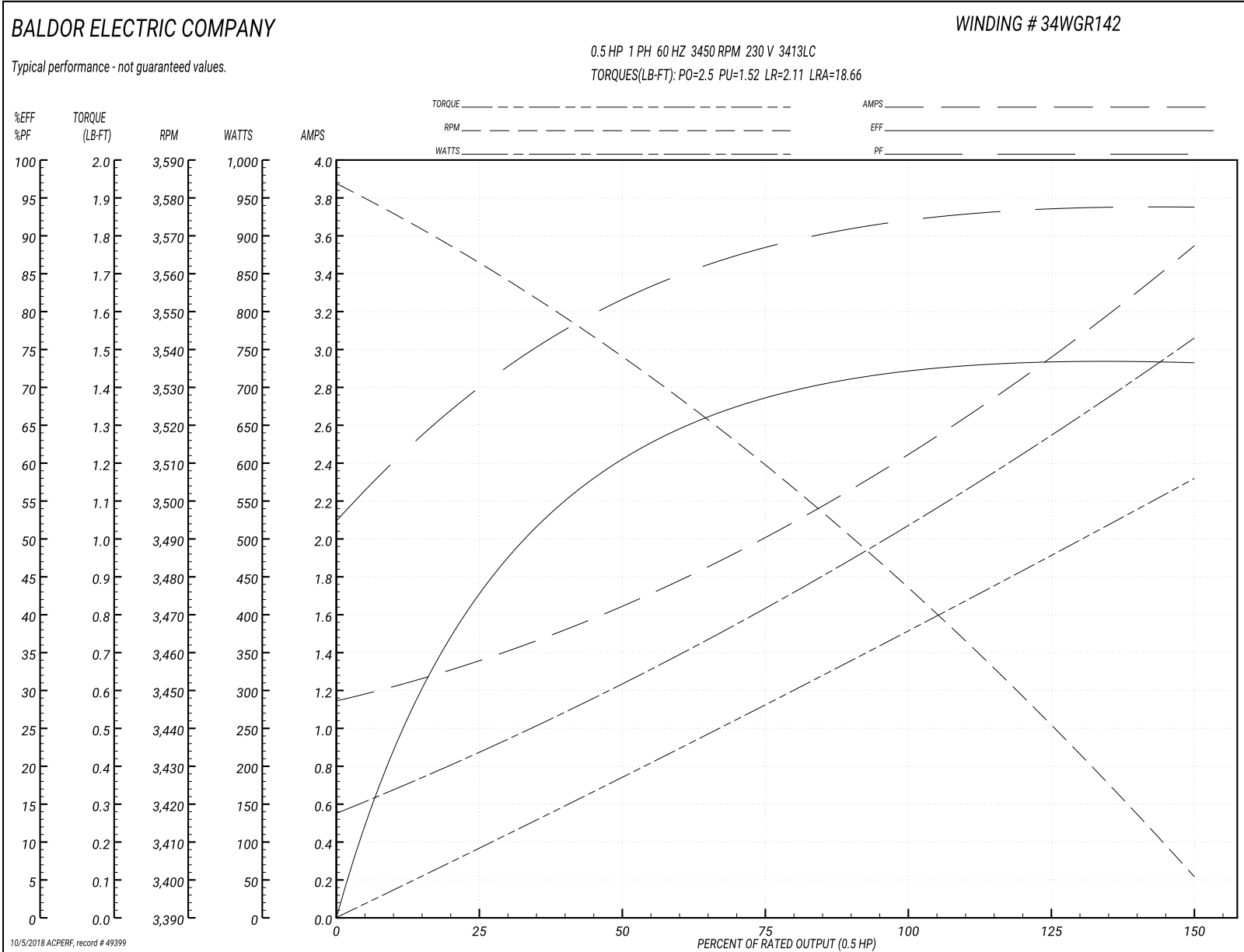
Winding: 34WGR142-R002	Type: 3413LC	Enclosure: OPEN
-------------------------------	---------------------	------------------------

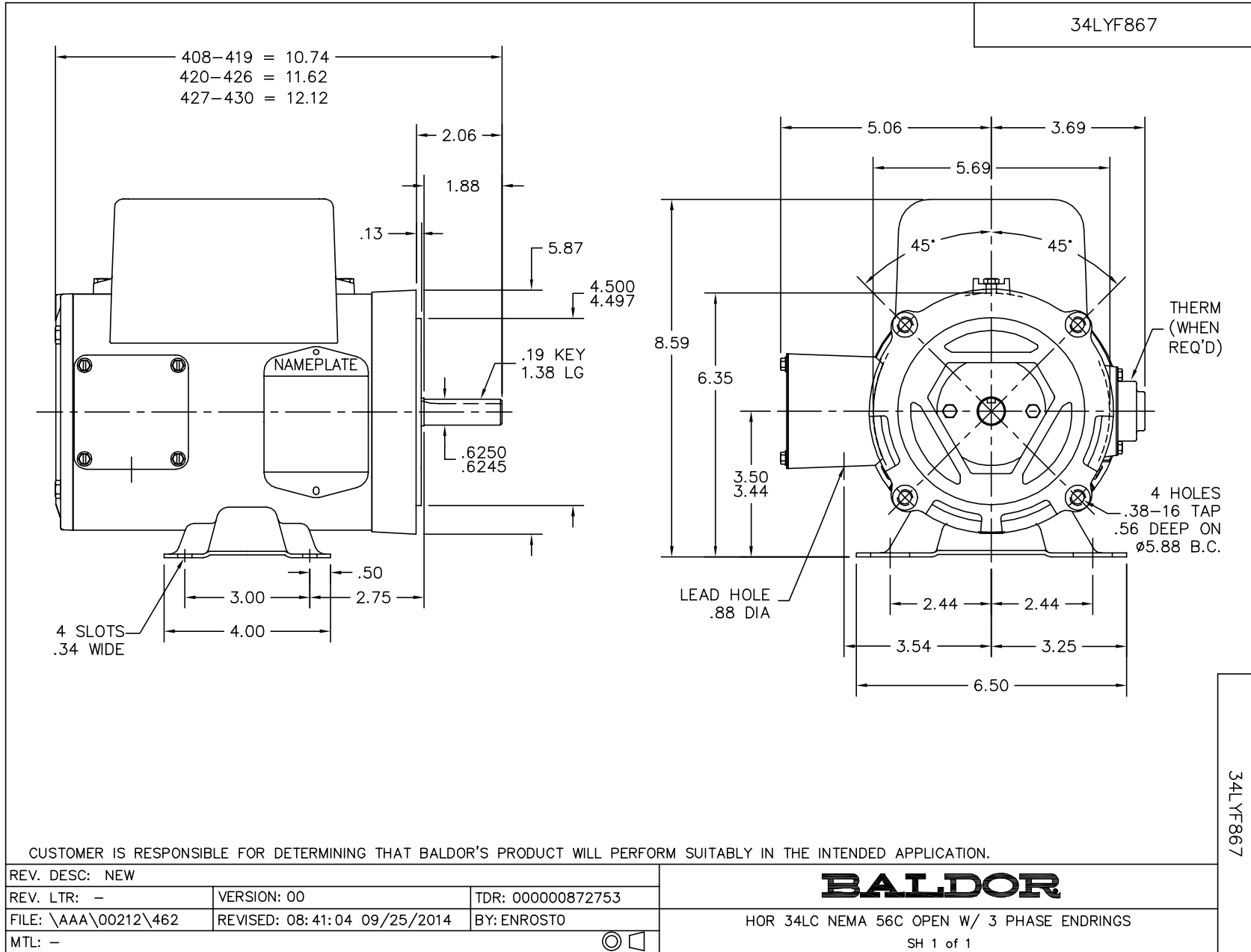
Nameplate Data				230 V, 60 Hz: High Voltage Connection	
Rated Output (HP)	.5			Full Load Torque	0.755 LB-FT
Volts	115/230			Start Configuration	direct on line
Full Load Amps	4.9/2.5			Breakdown Torque	2.5 LB-FT
R.P.M.	3450			Pull-up Torque	1.52 LB-FT
Hz	60	Phase	1	Locked-rotor Torque	2.11 LB-FT
NEMA Design Code	N	KVA Code	L	Starting Current	18.66 A
Service Factor (S.F.)	1.25			No-load Current	1.15 A
NEMA Nom. Eff.	72.4	Power Factor	91	Line-line Res. @ 25°C	4.36 Ω A Ph 4.65 Ω B Ph
Rating - Duty	40C AMB-CONT			Temp. Rise @ Rated Load	21°C
S.F. Amps	5.8/2.9			Temp. Rise @ S.F. Load	25°C
				Rotor inertia	0.0121 LB-FT ²

Load Characteristics 230 V, 60 Hz, 0.5 HP

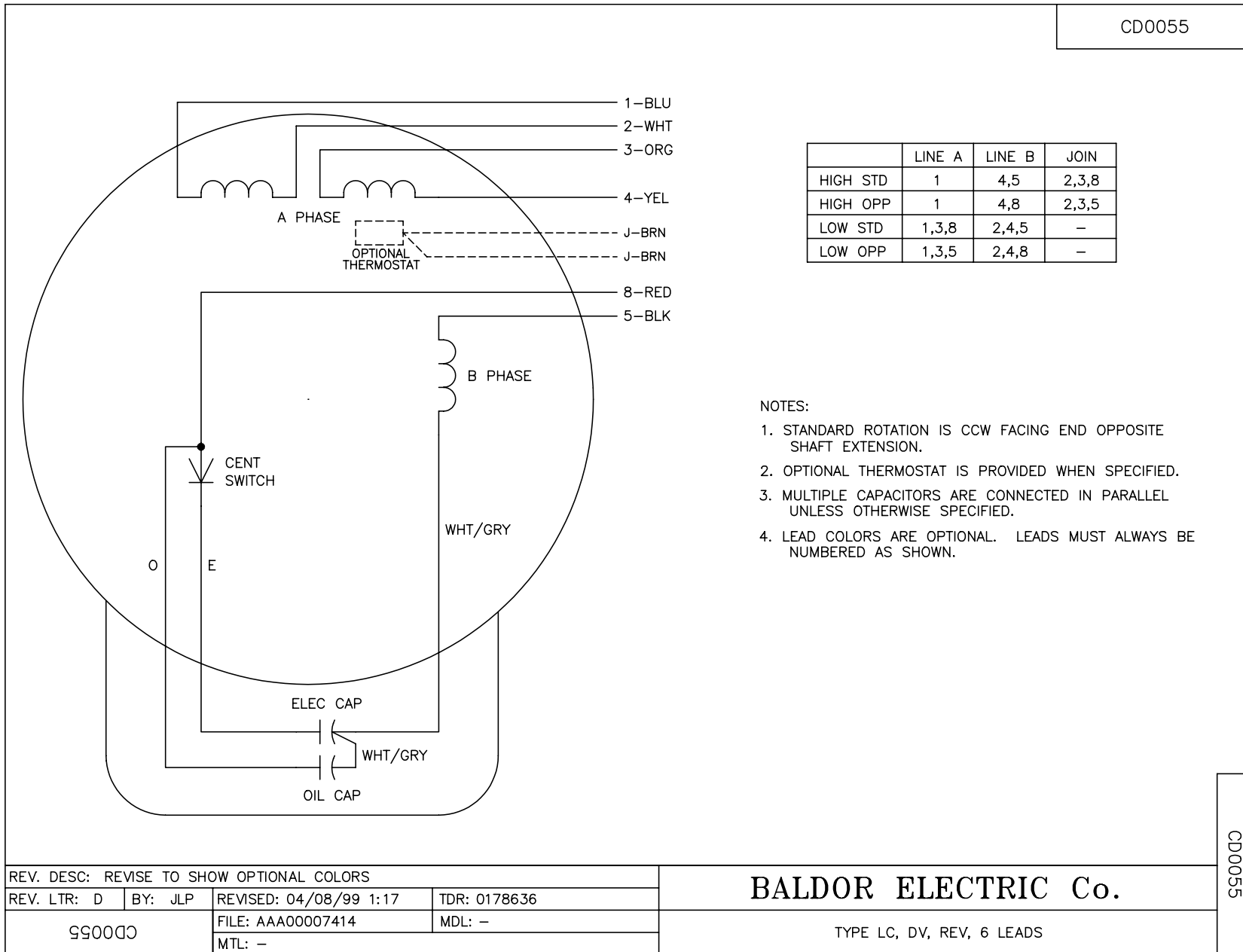
% of Rated Load	25	50	75	100	125	150	S.F.
Power Factor	71	83	88	92	93	94	93
Efficiency	42.3	58.9	69.5	73.2	72.8	73.3	72.8
Speed	3562	3535	3512	3481	3436	3402	3436
Line amperes	1.34	1.67	1.99	2.42	3.01	3.53	3.01

Performance Graph at 230V, 60Hz, 0.5HP Typical performance - Not guaranteed values





CD0055



	LINE A	LINE B	JOIN
HIGH STD	1	4,5	2,3,8
HIGH OPP	1	4,8	2,3,5
LOW STD	1,3,8	2,4,5	-
LOW OPP	1,3,5	2,4,8	-

NOTES:

1. STANDARD ROTATION IS CCW FACING END OPPOSITE SHAFT EXTENSION.
2. OPTIONAL THERMOSTAT IS PROVIDED WHEN SPECIFIED.
3. MULTIPLE CAPACITORS ARE CONNECTED IN PARALLEL UNLESS OTHERWISE SPECIFIED.
4. LEAD COLORS ARE OPTIONAL. LEADS MUST ALWAYS BE NUMBERED AS SHOWN.

REV. DESC: REVISE TO SHOW OPTIONAL COLORS			
REV. LTR: D	BY: JLP	REVISED: 04/08/99 1:17	TDR: 0178636
99000		FILE: AAA00007414	MDL: -
		MTL: -	

BALDOR ELECTRIC Co.

TYPE LC, DV, REV, 6 LEADS

CD0055