

M-12357

1

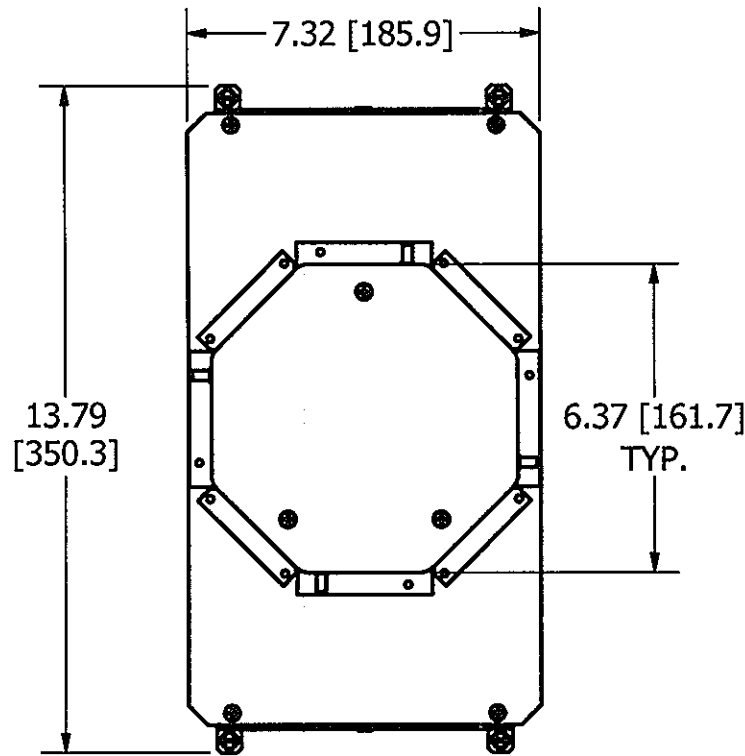
CONCENTRIC KNOCKOUTS

| LOCATION | QUANTITY | TRADE SIZE |
|----------|----------|----------------|
| ENDS | 1/END | 1/2", 3/4", 1" |
| SIDES | 2/SIDE | 1/2", 3/4", 1" |
| BOTTOM | 4 | 1/2", 3/4", 1" |

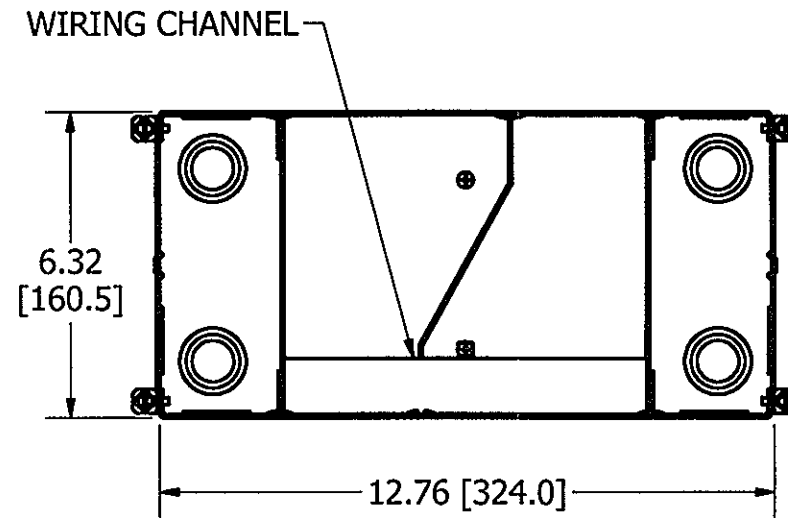
LIST OF PARTS

| DESCRIPTION | MATERIAL | FINISH |
|-------------------|--------------|---------|
| BOX ASSEMBLY | 16 GA. STEEL | ZINC ** |
| TOP MOUNTING ASSY | 14 GA. STEEL | ZINC |
| TRANSITION ASSY | 14 GA. STEEL | ZINC |
| GROUND WIRES | COPPER | |
| WIRING CHANNEL | 16 GA. STEEL | ZINC |
| FASTENERS | STEEL | ZINC |
| TEMPORARY COVER | 14 GA. STEEL | ZINC |

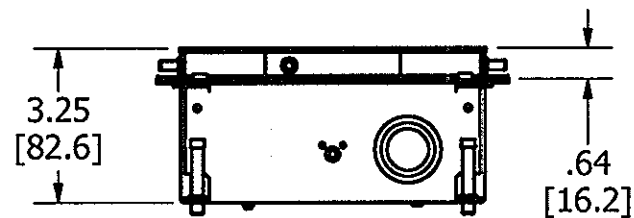
** CATALOG NO. CFB2G25RCR BOX ASSEMBLY IS GALVANIZED AND EPOXY COATED ON EXTERIOR SURFACE.



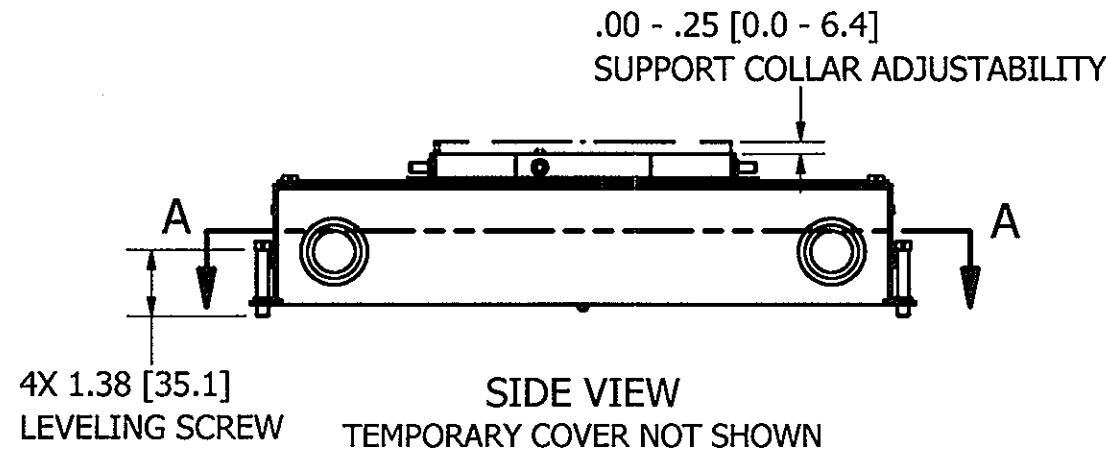
TOP VIEW



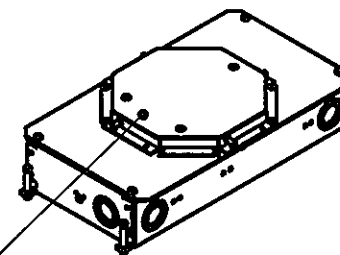
SECTION A-A
VIEW THROUGH BOX BELOW TRANSITION



END VIEW



SIDE VIEW
TEMPORARY COVER NOT SHOWN



TEMPORARY COVER
ISOMETRIC

NOTES:

1. ALL DIMENSIONS ARE IN INCHES AND [MILLIMETERS].
2. PRODUCT IS cULus LISTED. COMPLIES WITH UL 514A.
3. EACH GANG SUPPLIED WITH 6" [152.4] 12 GA. AWG GROUND PIGTAIL.
4. MINIMUM CONCRETE POUR: 3.25" [82.6].
5. WIRING CHAMBER VOLUMES : (2) 30 IN³ [491.7 CM³].
6. WIRING CHANNEL AREA: .39 IN² [251 MM²].

CODE 74545

DIMENSION SHEET FOR CAT. NO.

CFB2G25R, CFB2G25RCR

REPAIRABLE

NON-REPAIRABLE

B

M-12357

1

| | | | |
|-----|------------------------------|-----|----------|
| 1 | INITIAL RELEASE PER DCN19233 | SBW | 11/15/13 |
| SYM | DESCRIPTION | APP | DATE |

THE DESIGN AND DIMENSIONS OF THE PRODUCT SHOWN ON THIS DRAWING ARE SUBJECT TO CHANGE WITHOUT NOTICE

TITLE
CONCRETE FLOOR BOX, 2 GANG FOR 6" ROUND COVER, SHALLOW

TOLERANCES UNLESS OTHERWISE SPECIFIED

.XX = ± .01
.XXX = ± .005
ANGLES = ± 2°

WIRING DEVICE-KELLEMS
HUBBELL INCORPORATED
SHELTON, CT.

| | | | |
|----------|-----|---------|-----------|
| DR. BY | SBW | APP. BY | |
| TR. BY | | SCALE | 1/4 |
| CHK'D BY | SM | DATE | 9/19/2013 |