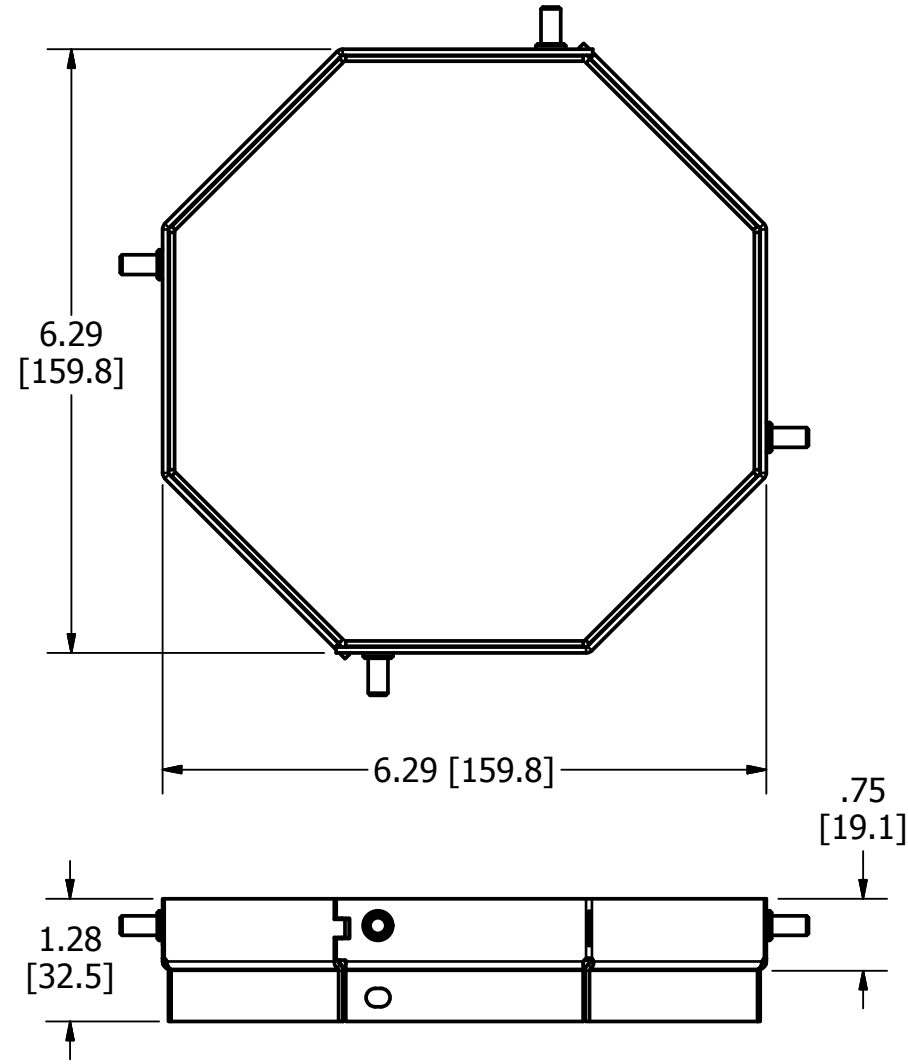
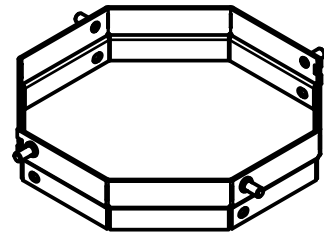
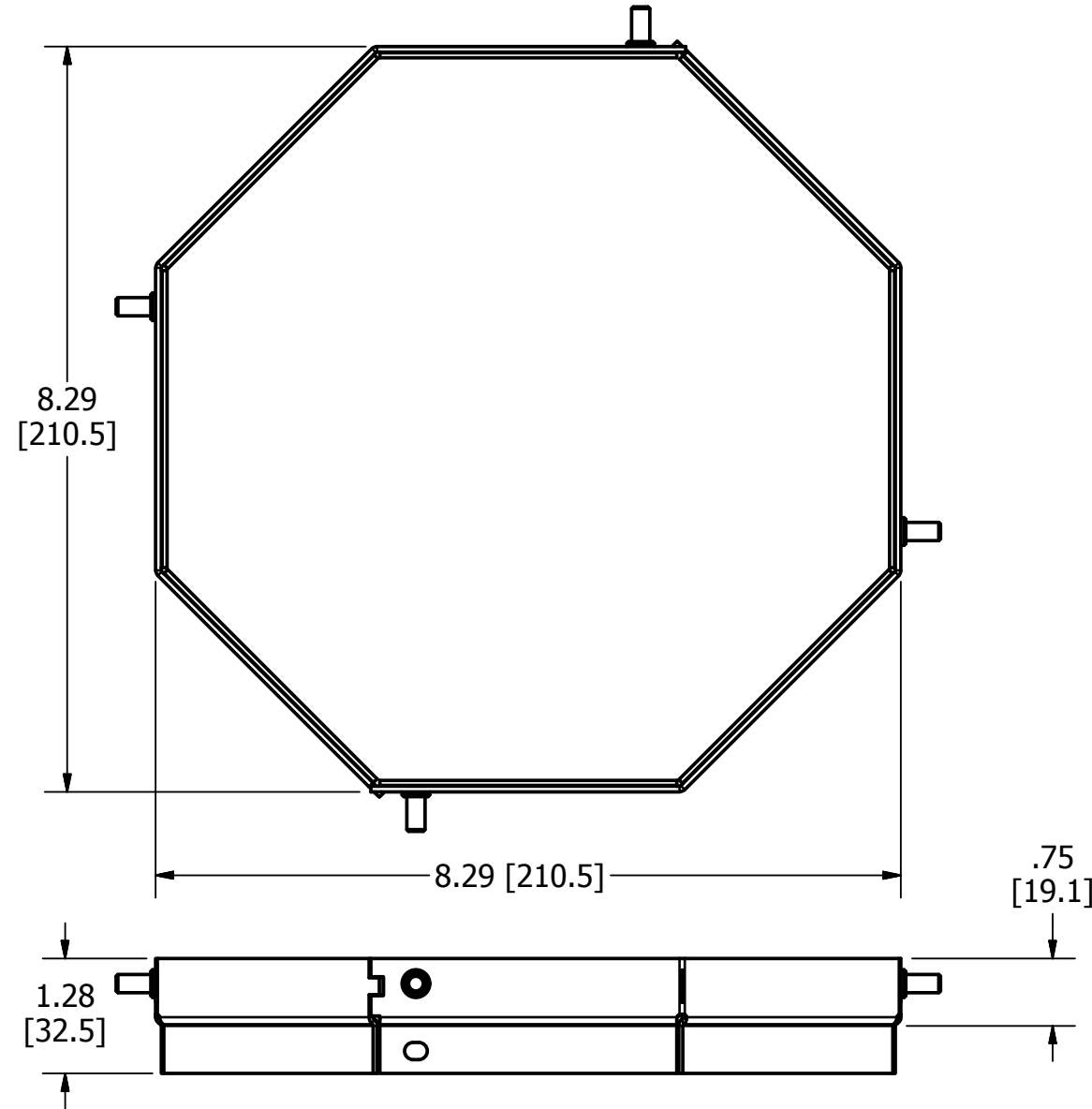
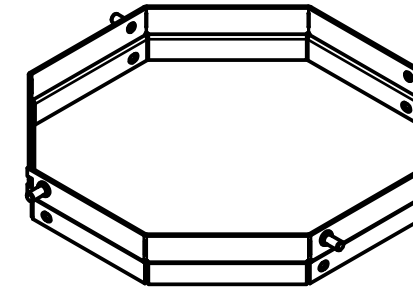


M-13404

1



CFB6RCVRR075



CFB8RCVRR075

LIST OF PARTS

DESCRIPTION	MATERIAL	FINISH
SPACERS	STEEL	PRE-GALVANIZED
FASTENERS	STEEL	ZINC

DIMENSION SHEET FOR CAT. NO. CFB6RCVRR075, CFB8RCVRR075
 REPAIRABLE NON-REPAIRABLE
 B
 M-13404
 1

1	ORIGINAL RELEASE PER DCN 22262	SBW	7/8/2016
SYM	DESCRIPTION	APP	DATE

THE DESIGN AND DIMENSIONS OF THE PRODUCT SHOWN ON THIS DRAWING ARE SUBJECT TO CHANGE WITHOUT NOTICE

TITLE
 STACKABLE SPACER RINGS FOR ROUND COVER CONCRETE FLOOR BOXES

TOLERANCES UNLESS OTHERWISE SPECIFIED .XX = ± .01 .XXX = ± .005 ANGLES = ± 2°	WIRING DEVICE-KELLEMS HUBBELL INCORPORATED SHELTON, CT.	
	DR. BY SBW	APP. BY
	TR. BY	SCALE 1:2
	CHK'D BY	DATE 5/19/2016

- NOTES:
1. ALL DIMENSIONS ARE IN INCHES AND [MILLIMETERS].
 2. PRODUCT IS cULus LISTED.
 3. MOUNTING HARDWARE INCLUDED.
 4. EACH SET OF SPACERS ADDS .75 INCHES [19.1 MM] OF CONCRETE OVER THE TOP OF THE FLOOR BOX.
 5. EACH SET OF SPACERS ADDS .75 INCHES [19.1 MM] TO THE MINIMUM POUR DEPTH OF THE FLOOR BOX.