

BALDOR® • RELIANCE 

Product Information Packet

CHC3413A

.25HP, 1700RPM, 1PH, 60HZ, 48Z, 3414C, TEAO, F1

Part Detail							
Revision:	AA	Status:	PRD/A	Change #:		Proprietary:	No
Type:	AC	Elec. Spec:	34WG5632	CD Diagram:	CD0381	Mfg Plant:	
Mech. Spec:	34K052	Layout:	34LYK052	Poles:	04	Created Date:	
Base:	RS	Eff. Date:	07-16-2018	Leads:	7#18		

Specs			
Catalog Number:	CHC3413A	Inverter Code:	Not Inverter
Enclosure:	TEAO	KVA Code:	H
Frame:	48Z	Lifting Lugs:	No Lifting Lugs
Frame Material:	Steel	Locked Bearing Indicator:	No Locked Bearing
Output @ Frequency:	.250 HP @ 60 HZ	Motor Lead Quantity/Wire Size:	7 @ 18 AWG
Synchronous Speed @ Frequency:	1800 RPM @ 60 HZ	Motor Lead Exit:	Terminal Panel
Voltage @ Frequency:	115.0 V @ 60 HZ	Motor Lead Termination:	Flying Leads
	230.0 V @ 60 HZ	Motor Type:	3414C
XP Class and Group:	None	Mounting Arrangement:	F1
XP Division:	Not Applicable	Power Factor:	62
Agency Approvals:	UR	Product Family:	General Purpose
	CSA	Pulley End Bearing Type:	Ball
Auxillary Box:	No Auxillary Box	Pulley Face Code:	Resilient Mount
Auxillary Box Lead Termination:	None	Pulley Shaft Indicator:	Standard
Base Indicator:	Resilient	Rodent Screen:	None
Bearing Grease Type:	Polyrex EM (-20F +300F)	RoHS Status:	ROHS COMPLIANT
Blower:	None	Shaft Extension Location:	Pulley End
Current @ Voltage:	2.400 A @ 230.0 V	Shaft Ground Indicator:	No Shaft Grounding

	4.800 A @ 115.0 V	Shaft Rotation:	Reversible
Design Code:	N	Shaft Slinger Indicator:	No Slinger
Drip Cover:	No Drip Cover	Speed Code:	Single Speed
Duty Rating:	CONT	Motor Standards:	NEMA
Electrically Isolated Bearing:	Not Electrically Isolated	Starting Method:	Direct on line
Feedback Device:	NO FEEDBACK	Thermal Device - Bearing:	NONE (OLD)
Front Face Code:	Resilient Mount	Thermal Device - Winding:	None
Front Shaft Indicator:	None	Vibration Sensor Indicator:	No Vibration Sensor
Heater Indicator:	No Heater	Winding Thermal 1:	Automatic Thermal Overload
Insulation Class:	B	Winding Thermal 1 Location:	SB
		Winding Thermal 2:	None

Nameplate NP1280L										
CAT.NO.	CHC3413A									
SPEC.	34K52-5632									
HP	.25									
VOLTS	115/230									
AMP	4.8/2.4									
RPM	1700									
FRAME	48Z			HZ	60			PH	1	
SER.F.	1.00			CODE	H		DES	N	CL	B
NEMA-NOM-EFF	54			PF	62					
RATING	40C AMB-CONT									
CC							USABLE AT 208V			
DE	6203			ODE	6203					
ENCL	TEAO			SN						

Parts List		
Part Number	Description	Quantity
SA008198	SA 34K52-5632	1.000 EA
RA004645	RA 34K52-5632	1.000 EA
OC2005F01	OVL OIL CAP 5MFD/370V	1.000 EA
34EP3204A01SP	FR ENDPLATE, MACH	1.000 EA
51XW0832A07	8-32 X .44, TAPTITE II, HEX WSHR SLTD SE	3.000 EA
11XT0832G06	8-32 X 3/8 TY 23 TAPPING	1.000 EA
RM1000A03	CUSHION RING, MDL 17-33-34	1.000 EA
RM1000A03	CUSHION RING, MDL 17-33-34	1.000 EA
HA6004A01A	CLAMP CUSHION RING ASSY	2.000 EA
WD4100A01	DP-875 HEYCO PLUG OR 62MP0875 MICRO PLAS	1.000 EA
RM1001A01	GROMMET "MIDSTATES"	1.000 EA
51XB1016A05	10-16X5/16HX WA SL SR TYB (F/S)	2.000 EA
HW5100A03	WAVY WASHER (W1543-017)	1.000 EA
34EP3205A01	PU ENDPLATE, MACH	1.000 EA
XY1032A02	10-32 HEX NUT DIRECTIONAL SERRATION	4.000 EA
HW1000A10	#10 FLAT WASHER (SAE)	4.000 EA
LD5000A52	LEAD ASSY W/INTERNAL STAR RING TERMINALS	1.000 EA
11XT1032A06	10-32 X 3/8 HX WSHR HD SLTD TYPE 23	2.000 EA
34CB4501SP	TERMINAL BOX LID, STAMPED X (PLATED)	1.000 EA
34GS1005	GASKET, TERM PLATE LID	1.000 EA
51XW0832A07	8-32 X .44, TAPTITE II, HEX WSHR SLTD SE	2.000 EA
34GS5003A01	FOAM SLEEVE, ID = 2 1/16" X 4 3/8"	1.000 EA
WD1000A16	2-520128-2 AMP FLAG TERMINAL(4M/RL)	9.000 EA
MG1025C02	WILKOFASST SG, 787.105, TAN	0.014 GA

Parts List (continued)		
Part Number	Description	Quantity
85XU0407S04	4X1/4 U DRIVE PIN STAINLESS	2.000 EA
34BA4001A01SP	RESILIENT BASE, 408-416	1.000 EA
SP5076SP	MODEL 34 TERMINAL PANEL WITH QUICK CONNE	1.000 EA
33CB4800A01	CAPACITOR COVER, STAMPED	1.000 EA
35GS3001A01	GASKET, CAPACITOR COVER	1.000 EA
HA3100A15	THRUBOLT 10-32 X 8.375	4.000 EA
LB1118	LABEL,WARNING (ROLL LABEL)	1.000 EA
LC0052	CONNECTION LABEL	1.000 EA
NP1280L	ALUM FARM DUTY UL CSA CC THERMAL	1.000 EA
34PA1002	PKG GRP, PRINT PK1001A01	1.000 EA
MN416A01	TAG-INSTAL-MAINT no wire (1200/bx) 5/18	1.000 EA

AC Induction Motor Performance Data

Record # 50786 - Typical performance - not guaranteed values

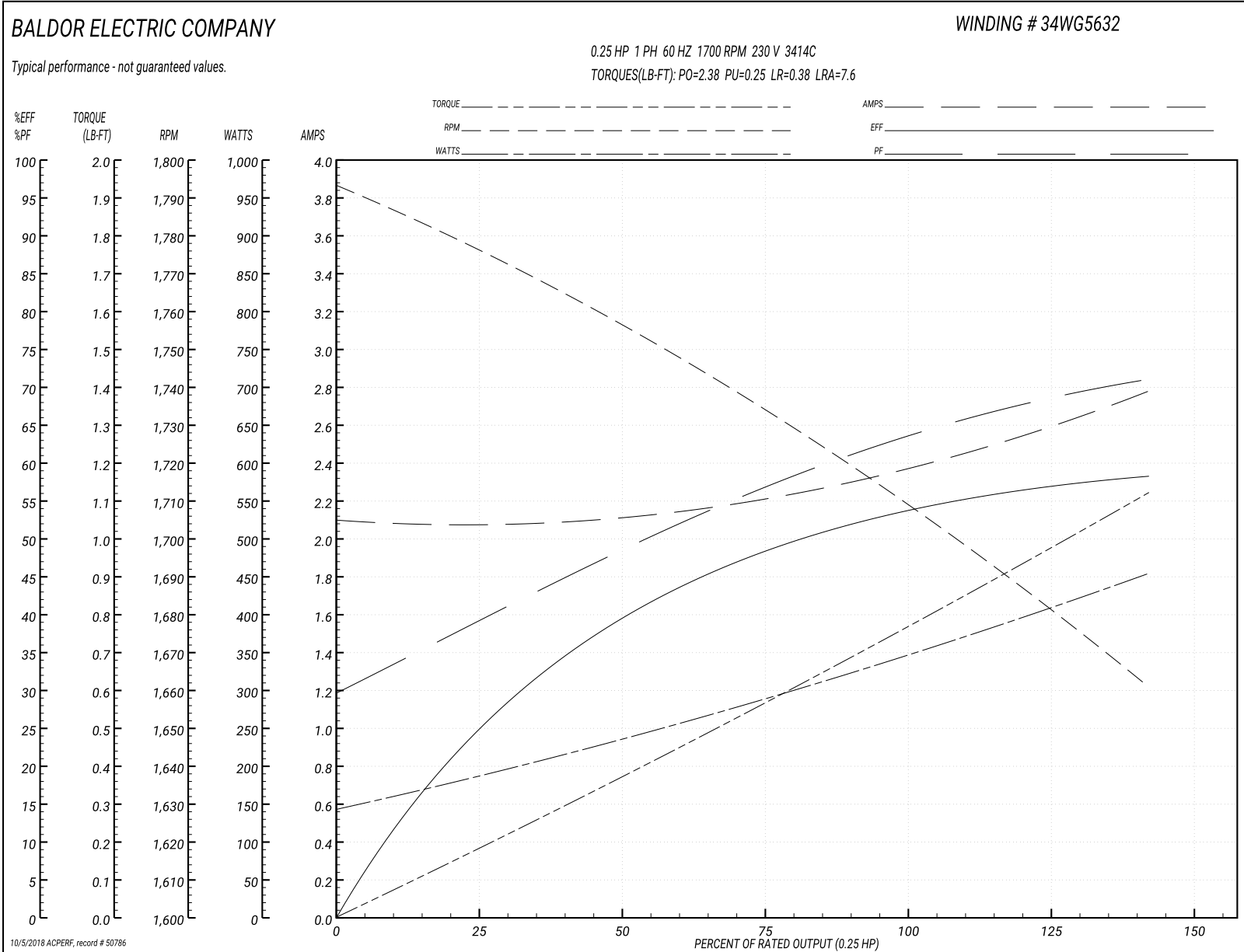
Winding: 34WG5632-R001	Type: 3414C	Enclosure: TEAO
-------------------------------	--------------------	------------------------

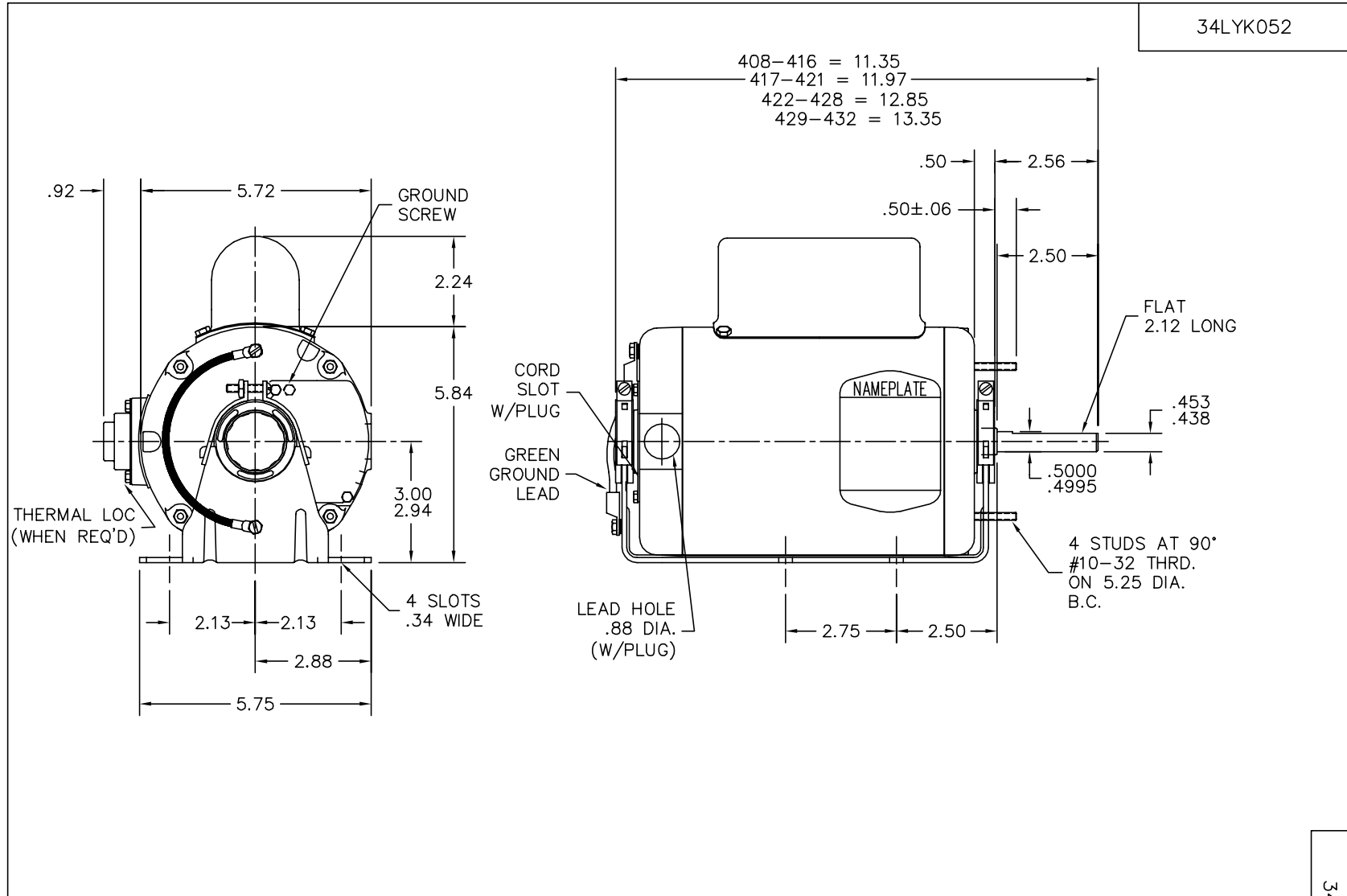
Nameplate Data				230 V, 60 Hz: High Voltage Connection	
Rated Output (HP)	.25			Full Load Torque	0.75 LB-FT
Volts	115/230			Start Configuration	direct on line
Full Load Amps	4.8/2.4			Breakdown Torque	2.38 LB-FT
R.P.M.	1700			Pull-up Torque	0.25 LB-FT
Hz	60	Phase	1	Locked-rotor Torque	0.38 LB-FT
NEMA Design Code	N	KVA Code	H	Starting Current	7.6 A
Service Factor (S.F.)	1			No-load Current	2.1 A
NEMA Nom. Eff.	54	Power Factor	62	Line-line Res. @ 25°C	8.24 Ω A Ph 34.8 Ω B Ph
Rating - Duty	40C AMB-CONT			Temp. Rise @ Rated Load	

Load Characteristics 230 V, 60 Hz, 0.25 HP

% of Rated Load	25	50	75	100	125	150
Power Factor	38	48	56	61	68	73
Efficiency	23	41	49	53	57	58
Speed	1775	1754	1733	1715	1689	1658
Line amperes	2.06	2.13	2.23	2.32	2.55	2.79

Performance Graph at 230V, 60Hz, 0.25HP Typical performance - Not guaranteed values





CUSTOMER IS RESPONSIBLE FOR DETERMINING THAT MOTOR PERFORMANCE IS SUITABLE IN THE APPLICATION.

REV. DESC: REPLACED 34SH2671 TO 34SH2891			
REV. LTR: G	BY: YTD	REVISED: 11:10:26 02/09/2004	TDR: 322935
34LYK052		FILE: AAA00027369	REF: 34LYK052
		MTL: -	

BALDOR ELECTRIC Co.
RESIL MTD MODEL 34C NEMA 48Z TENV W/EXTEND T-BOLTS

34LYK052

CD0381

