

BALDOR® • RELIANCE 

Product Information Packet

CHM545A

1HP,1725RPM,3PH,60HZ,56YZ,3428M,TEAO,F1

Part Detail							
Revision:	E	Status:	PRD/A	Change #:		Proprietary:	No
Type:	AC	Elec. Spec:	34WGR237	CD Diagram:	CD0007	Mfg Plant:	
Mech. Spec:	34M249	Layout:	34LYM249	Poles:	04	Created Date:	10-21-2014
Base:	RS	Eff. Date:	07-20-2018	Leads:	12#18		

Specs			
Catalog Number:	CHM545A	Insulation Class:	B
Enclosure:	TEAO	Inverter Code:	Not Inverter
Frame:	56YZ	KVA Code:	L
Frame Material:	Steel	Lifting Lugs:	No Lifting Lugs
Output @ Frequency:	1.000 HP @ 60 HZ	Locked Bearing Indicator:	No Locked Bearing
Synchronous Speed @ Frequency:	1800 RPM @ 60 HZ	Motor Lead Quantity/Wire Size:	12 @ 18 AWG
Voltage @ Frequency:	208.0 V @ 60 HZ	Motor Lead Exit:	Terminal Panel Or Lead Hole
	230.0 V @ 60 HZ	Motor Lead Termination:	Flying Leads
	460.0 V @ 60 HZ	Motor Type:	3428M
XP Class and Group:	None	Mounting Arrangement:	F1
XP Division:	Not Applicable	Product Family:	General Purpose
Agency Approvals:	UR	Pulley End Bearing Type:	Ball
	CSA	Pulley Face Code:	Resilient Mount
Auxillary Box:	No Auxillary Box	Pulley Shaft Indicator:	Standard
Auxillary Box Lead Termination:	None	Rodent Screen:	None
Base Indicator:	Resilient	RoHS Status:	ROHS COMPLIANT
Bearing Grease Type:	Polyrex EM (-20F +300F)	Shaft Extension Location:	Pulley End
Blower:	None	Shaft Ground Indicator:	No Shaft Grounding

Current @ Voltage:	1.700 A @ 460.0 V	Shaft Rotation:	Reversible
	3.400 A @ 208.0 V	Shaft Slinger Indicator:	No Slinger
	3.400 A @ 230.0 V	Speed Code:	Single Speed
Design Code:	B	Motor Standards:	NEMA
Drip Cover:	No Drip Cover	Starting Method:	Direct on line
Duty Rating:	CONT	Thermal Device - Bearing:	NONE (OLD)
Electrically Isolated Bearing:	Not Electrically Isolated	Thermal Device - Winding:	None
Feedback Device:	NO FEEDBACK	Vibration Sensor Indicator:	No Vibration Sensor
Front Face Code:	Resilient Mount	Winding Thermal 1:	Automatic Thermal Overload
Front Shaft Indicator:	None	Winding Thermal 1 Location:	EP
Heater Indicator:	No Heater	Winding Thermal 2:	None

Nameplate NP1257L										
CAT.NO.	CHM545A									
SPEC.	34M249R237G1									
HP	1									
VOLTS	208-230/460									
AMP	3.4/1.7									
RPM	1725									
FRAME	56YZ				HZ	60			PH	3
SER.F.	1.15		CODE	L		DES	B		CL	B
NEMA-NOM-EFF			PF							
RATING	40C AMB-CONT									
CC						USABLE AT 208V				
DE	6203		ODE	6203						
ENCL	TEAO		SN							

Parts List		
Part Number	Description	Quantity
SA288594	SA 34M249R237G1	1.000 EA
RA274783	RA 34M249R237G1	1.000 EA
11XT0832G06	8-32 X 3/8 TY 23 TAPPING	1.000 EA
LD5000A52	LEAD ASSY W/INTERNAL STAR RING TERMINALS	1.000 EA
11XT1032A06	10-32 X 3/8 HX WSHR HD SLTD TYPE 23	2.000 EA
34EP3204A01SP	FR ENDPLATE, MACH	1.000 EA
WD4100A01	DP-875 HEYCO PLUG OR 62MP0875 MICRO PLAS	1.000 EA
RM1001A01	GROMMET "MIDSTATES"	1.000 EA
SP1000A09	TERM BOARD, MODEL 34 SW, (RPL SP1000A01)	1.000 EA
RM1000A03	CUSHION RING, MDL 17-33-34	1.000 EA
HA6004A01A	CLAMP CUSHION RING ASSY	1.000 EA
HW5100A03	WAVY WASHER (W1543-017)	1.000 EA
34EP3205B01	PU ENDPLATE, MACH	1.000 EA
RM1000A03	CUSHION RING, MDL 17-33-34	1.000 EA
HA6004A01A	CLAMP CUSHION RING ASSY	1.000 EA
XY0832A02	8-32 HEX NUT	4.000 EA
34CB4501SP	TERMINAL BOX LID, STAMPED X (PLATED)	1.000 EA
34GS1005	GASKET, TERM PLATE LID	1.000 EA
51XW0832A07	8-32 X .44, TAPTITE II, HEX WSHR SLTD SE	2.000 EA
51XW0832A07	8-32 X .44, TAPTITE II, HEX WSHR SLTD SE	2.000 EA
HW2501D13	KEY, 3/16 SQ X 1.375	1.000 EA
HA7000A04	KEY RETAINER 0.625 DIA SHAFTS	1.000 EA
MJ1000A02	GREASE, POLYREX EM EXXON (USe 4824-15A)	0.050 LB
HW1000A08	#8 SAE FLAT WASHER	8.000 EA

Parts List (continued)		
Part Number	Description	Quantity
MG1000G27	MED CHARCOAL METALLIC GREY 400-0096	0.014 GA
85XU0407S04	4X1/4 U DRIVE PIN STAINLESS	2.000 EA
34BA4003G01	RESILIENT BASE	1.000 EA
HA3169A16	THRUBOLT #8-32 THDS X 9.937"LG TDR#1	4.000 EA
MN416A01	TAG-INSTAL-MAINT no wire (1200/bx) 5/18	1.000 EA
LB1118	LABEL,WARNING (ROLL LABEL)	1.000 EA
LC0007	CONNECTION LABEL	1.000 EA
NP1257L	ALUM UL CSA CC THERMAL REV MTG	1.000 EA
36PA1000	PKG GRP, PRINT PK1016A06	1.000 EA

AC Induction Motor Performance Data

Record # 51607 - Typical performance - not guaranteed values

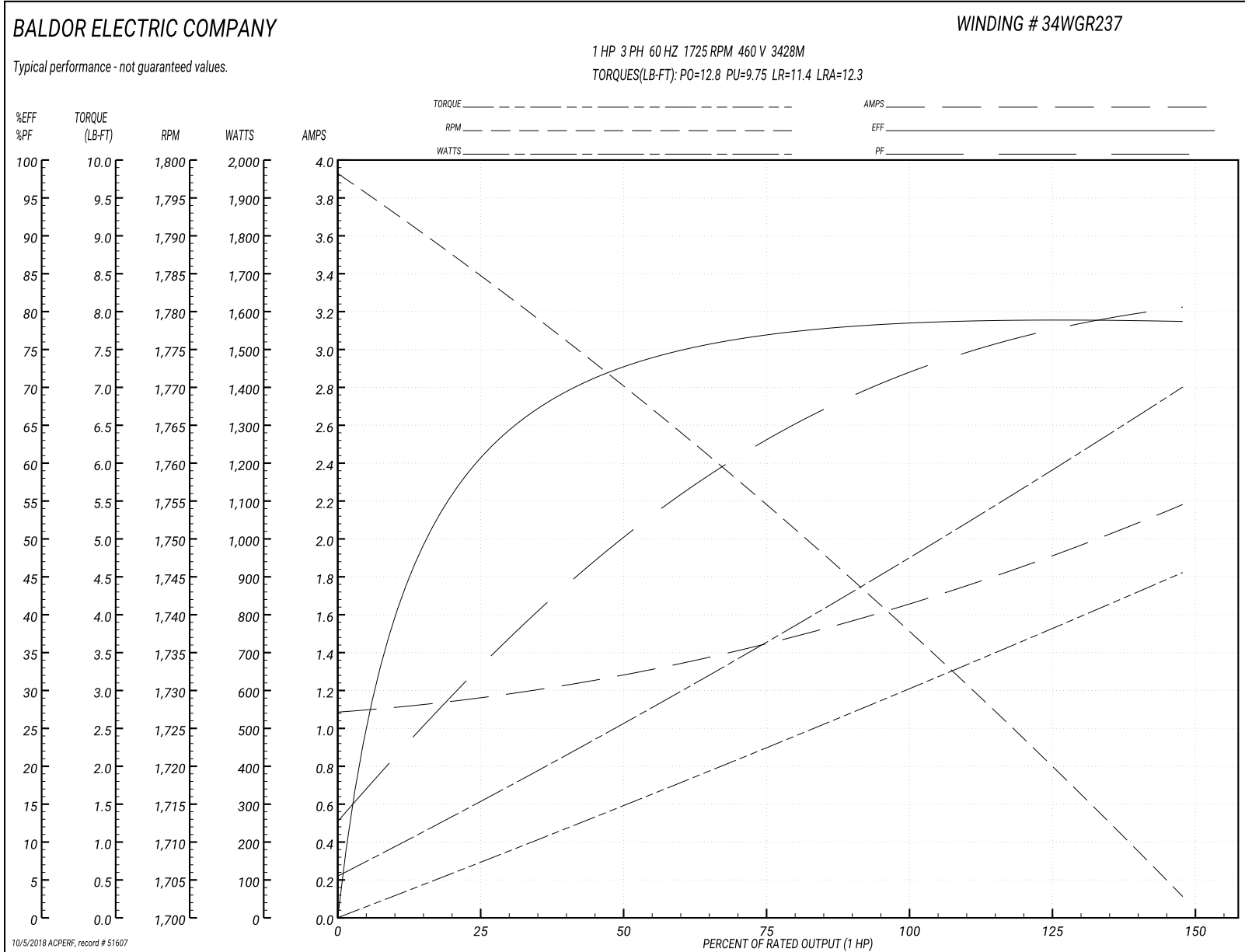
Winding: 34WGR237-R001	Type: 3428M	Enclosure: TEAO
-------------------------------	--------------------	------------------------

Nameplate Data				460 V, 60 Hz: High Voltage Connection	
Rated Output (HP)	1			Full Load Torque	3.04 LB-FT
Volts	208-230/460			Start Configuration	direct on line
Full Load Amps	3.4/1.7			Breakdown Torque	12.8 LB-FT
R.P.M.	1725			Pull-up Torque	9.75 LB-FT
Hz	60	Phase	3	Locked-rotor Torque	11.4 LB-FT
NEMA Design Code	B	KVA Code	L	Starting Current	12.3 A
Service Factor (S.F.)	1.15			No-load Current	1.09 A
NEMA Nom. Eff.	0	Power Factor	0	Line-line Res. @ 25°C	15.373 Ω
Rating - Duty	40C AMB-CONT			Temp. Rise @ Rated Load	
				Locked-rotor Power Factor	66

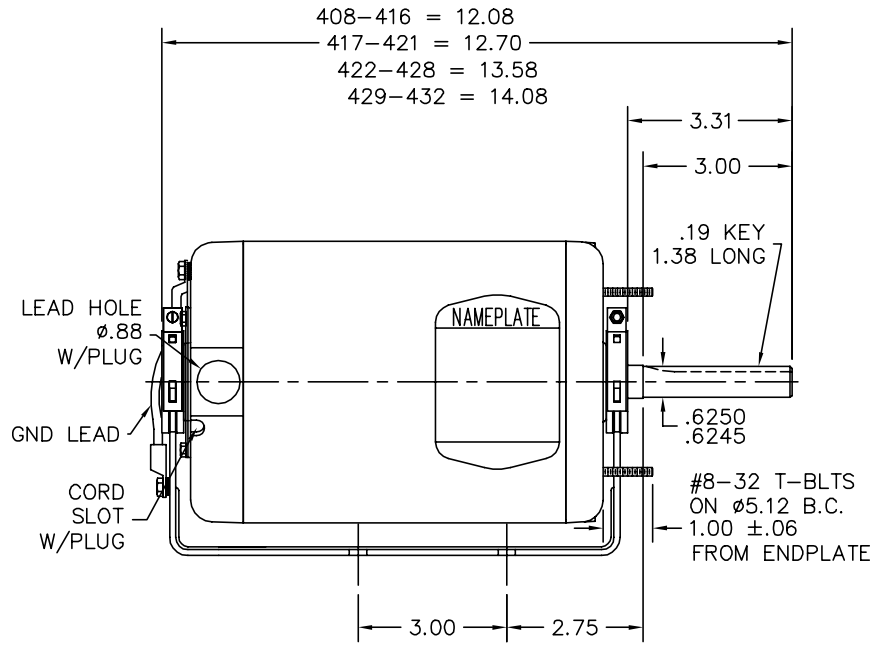
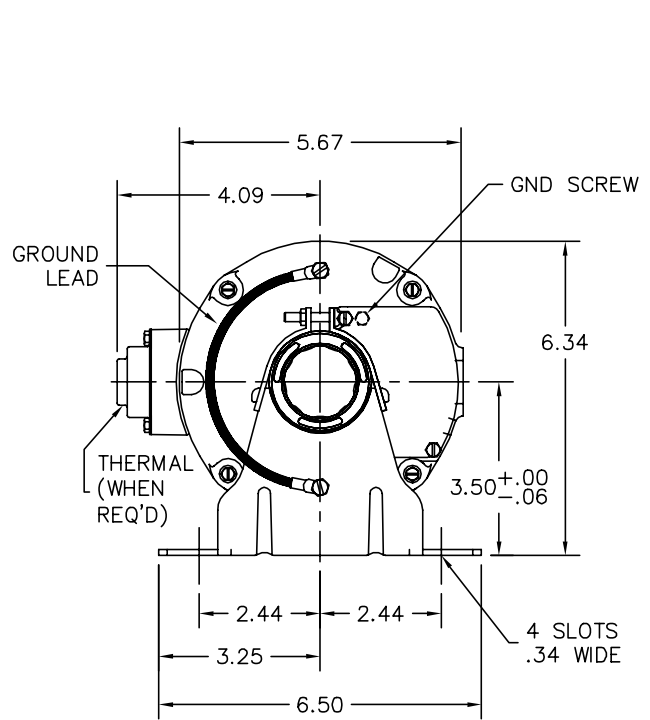
Load Characteristics 460 V, 60 Hz, 1 HP

% of Rated Load	25	50	75	100	125	150	S.F.
Power Factor	34	52	63	72	77	81	75
Efficiency	60.2	72.6	77	78.6	79.2	78.5	79
Speed	1783.6	1768.9	1753.9	1738.1	1720.5	1702.1	1728
Line amperes	1.16	1.28	1.46	1.67	1.91	2.18	1.81

Performance Graph at 460V, 60Hz, 1.0HP Typical performance - Not guaranteed values



34LYM249



CUSTOMER IS RESPONSIBLE FOR DETERMINING THAT BALDOR'S PRODUCT WILL PERFORM SUITABLY IN THE INTENDED APPLICATION.

REV. DESC: NEW		
REV. LTR: -	VERSION: 00	TDR: 000000797702
FILE: \AAA\00200\709		REVISED: 02:40:01 05/24/2013
MTL: -	BY: ENBENBO	

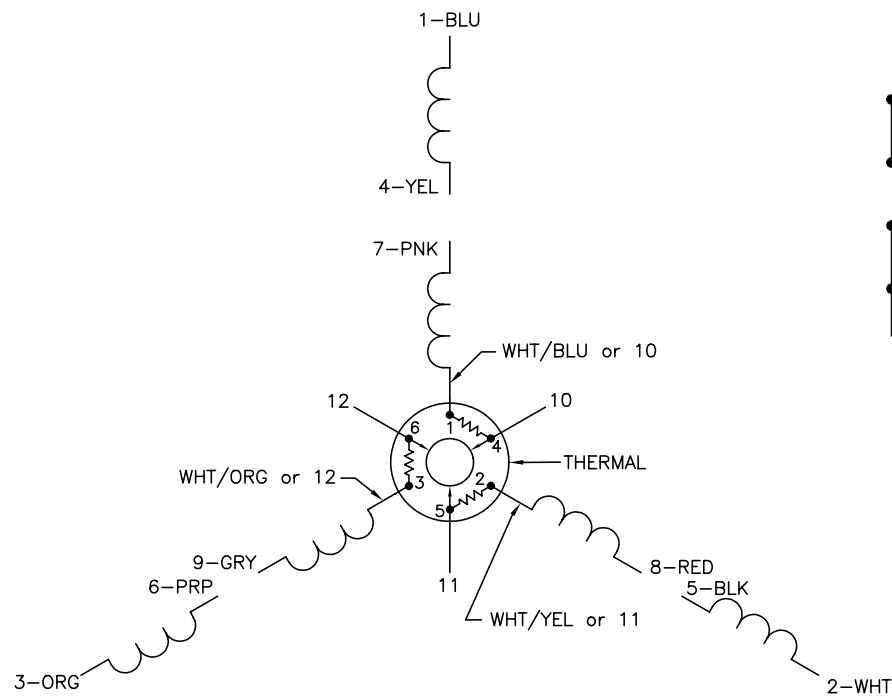
BALDOR

RESIL 34M NEMA 56YZ TEAO W/EXTENDED T-BOLTS ON 5.12 B.C.

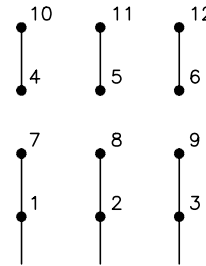
SH 1 of 1

34LYM249

CD0007

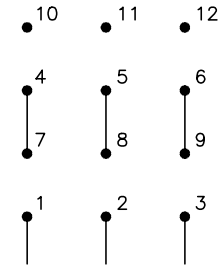


LOW VOLTAGE
(2Y)



LINE

HIGH VOLTAGE
(1Y)



LINE

NOTES:

1. INTERCHANGE ANY TWO LINE LEADS TO REVERSE ROTATION.
2. ACTUAL NUMBER OF INTERNAL PARALLEL CIRCUITS MAY VARY.
3. LEAD COLORS ARE OPTIONAL. LEADS MUST ALWAYS BE NUMBERED AS SHOWN.

REV. DESC: ADDED "CK" PLANT CODE			
REV. LTR: E	BY: EAH	REVISED: 05/06/99 17:1	TDR: 0181040
L00000		FILE: AAA00008370	MDL: -
		MTL: -	

BALDOR ELECTRIC Co.

3PH, DV, THERMAL, 12 LEADS

CD0007