

BALDOR® • RELIANCE 

Product Information Packet

CJL1205A

.33HP,3450RPM,1PH,60HZ,56J,3416L,OPEN,F1

Part Detail							
Revision:	U	Status:	PRD/A	Change #:		Proprietary:	No
Type:	AC	Elec. Spec:	34WG2534	CD Diagram:	CD0307	Mfg Plant:	
Mech. Spec:	34F040	Layout:	34LYF040	Poles:	02	Created Date:	
Base:	RG	Eff. Date:	08-23-2018	Leads:	5#18,1#16 #1TH		

Specs			
Catalog Number:	CJL1205A	Inverter Code:	Not Inverter
Enclosure:	OPEN	KVA Code:	L
Frame:	56J	Lifting Lugs:	No Lifting Lugs
Frame Material:	Steel	Locked Bearing Indicator:	Locked Bearing
Output @ Frequency:	.330 HP @ 60 HZ	Motor Lead Quantity/Wire Size:	5 @ 18 AWG
Synchronous Speed @ Frequency:	3600 RPM @ 60 HZ	Motor Lead Exit:	Terminal Panel Or Lead Hole
Voltage @ Frequency:	115.0 V @ 60 HZ	Motor Lead Termination:	Flying Leads
	230.0 V @ 60 HZ	Motor Type:	3416L
XP Class and Group:	None	Mounting Arrangement:	F1
XP Division:	Not Applicable	Power Factor:	61
Agency Approvals:	UR	Product Family:	General Purpose
	CSA	Pulley End Bearing Type:	Ball
Auxillary Box:	No Auxillary Box	Pulley Face Code:	C-Face
Auxillary Box Lead Termination:	None	Pulley Shaft Indicator:	Ext Thread
Base Indicator:	Rigid	Rodent Screen:	None
Bearing Grease Type:	Polyrex EM (-20F +300F)	Shaft Extension Location:	Pulley End
Blower:	None	Shaft Ground Indicator:	No Shaft Grounding
Current @ Voltage:	3.100 A @ 230.0 V	Shaft Rotation:	Fixed Opposite Standard

	6.200 A @ 115.0 V	Shaft Slinger Indicator:	No Slinger
Design Code:	N	Speed Code:	Single Speed
Drip Cover:	No Drip Cover	Motor Standards:	NEMA
Duty Rating:	CONT	Starting Method:	Direct on line
Electrically Isolated Bearing:	Not Electrically Isolated	Thermal Device - Bearing:	NONE (OLD)
Feedback Device:	NO FEEDBACK	Thermal Device - Winding:	None
Front Face Code:	Terminal Panel	Vibration Sensor Indicator:	No Vibration Sensor
Front Shaft Indicator:	None	Winding Thermal 1:	Automatic Thermal Overload
Heater Indicator:	No Heater	Winding Thermal 1 Location:	SB
Insulation Class:	B	Winding Thermal 2:	None

Nameplate NP1257L	
CAT.NO.	CJL1205A
SPEC.	34F40-2534
HP	.33
VOLTS	115/230
AMP	6.2/3.1
RPM	3450
FRAME	56J
SER.F.	1.75
NEMA-NOM-EFF	58
RATING	40C AMB-CONT
CC	
DE	6203
ENCL	OPEN
SFA	7.6/3.8
CODE	L
PF	61
ODE	6203
HZ	60
DES	N
CL	B
PH	1
	USABLE AT 208V
SN	

Parts List		
Part Number	Description	Quantity
SA005865	SA 34F40-2534	1.000 EA
RA002611	RA 34F40-2534	1.000 EA
EC1130A02SP	ELEC CAP, 130-156 MFD, 125V, 1.48D X 3.3	1.000 EA
WD4100A01	DP-875 HEYCO PLUG OR 62MP0875 MICRO PLAS	1.000 EA
34CB4501SP	TERMINAL BOX LID, STAMPED X (PLATED)	1.000 EA
51XW0832A07	8-32 X .44, TAPTITE II, HEX WSHR SLTD SE	2.000 EA
11XT0832G06	8-32 X 3/8 TY 23 TAPPING	1.000 EA
51XW0832A07	8-32 X .44, TAPTITE II, HEX WSHR SLTD SE	3.000 EA
34EP3202A20	FR ENDPLATE, 34 OPEN SMALL HUB RESIL LES	1.000 EA
WD4100A04	62MP0687 HOLE PLUG OR DP-687 HEYCO	1.000 EA
NS2500A01	INSULATOR, AUTO THER PROT	1.000 EA
34CB4800SP	CAPACITOR COVER, STAMPED PRIMED	1.000 EA
51XB1016A05	10-16X5/16HX WA SL SR TYB (F/S)	2.000 EA
HW5100A03	WAVY WASHER (W1543-017)	1.000 EA
34EP3401A01SP	PU ENDPLATE, MACH	1.000 EA
34AD2000	BAFFLE PLATE, STAMPED	1.000 EA
60XW0632A06	6-32 X 3/8 TORX HEAD SCREW TAPTITE II	4.000 EA
51XN1032A20	10-32 X 1 1/4 HX WS SL SR	2.000 EA
RM1010A01	35-968-1 VINYL CLS	1.000 EA
MG1000G27	MED CHARCOAL METALLIC GREY 400-0096	0.014 GA
LB1009N	LABEL,ROTATION DIRECTION (ON ROLLS)	1.000 EA
85XU0407S04	4X1/4 U DRIVE PIN STAINLESS	2.000 EA
SP5068A01	34L TERM PANEL STAT SWITCH #E-6"	1.000 EA
HA3100A14	THRUBOLT 10-32 X 7.875	4.000 EA

Parts List (continued)		
Part Number	Description	Quantity
LB1118	LABEL,WARNING (ROLL LABEL)	1.000 EA
LC0307	1PH, DV, FIX, W & W/O THERM, TERM PLATE,	1.000 EA
NP1257L	ALUM UL CSA CC THERMAL REV MTG	1.000 EA
35PA1000	PKG GRP, PRINT PK1008A06	1.000 EA

AC Induction Motor Performance Data
Record # 6650 - Typical performance - not guaranteed values

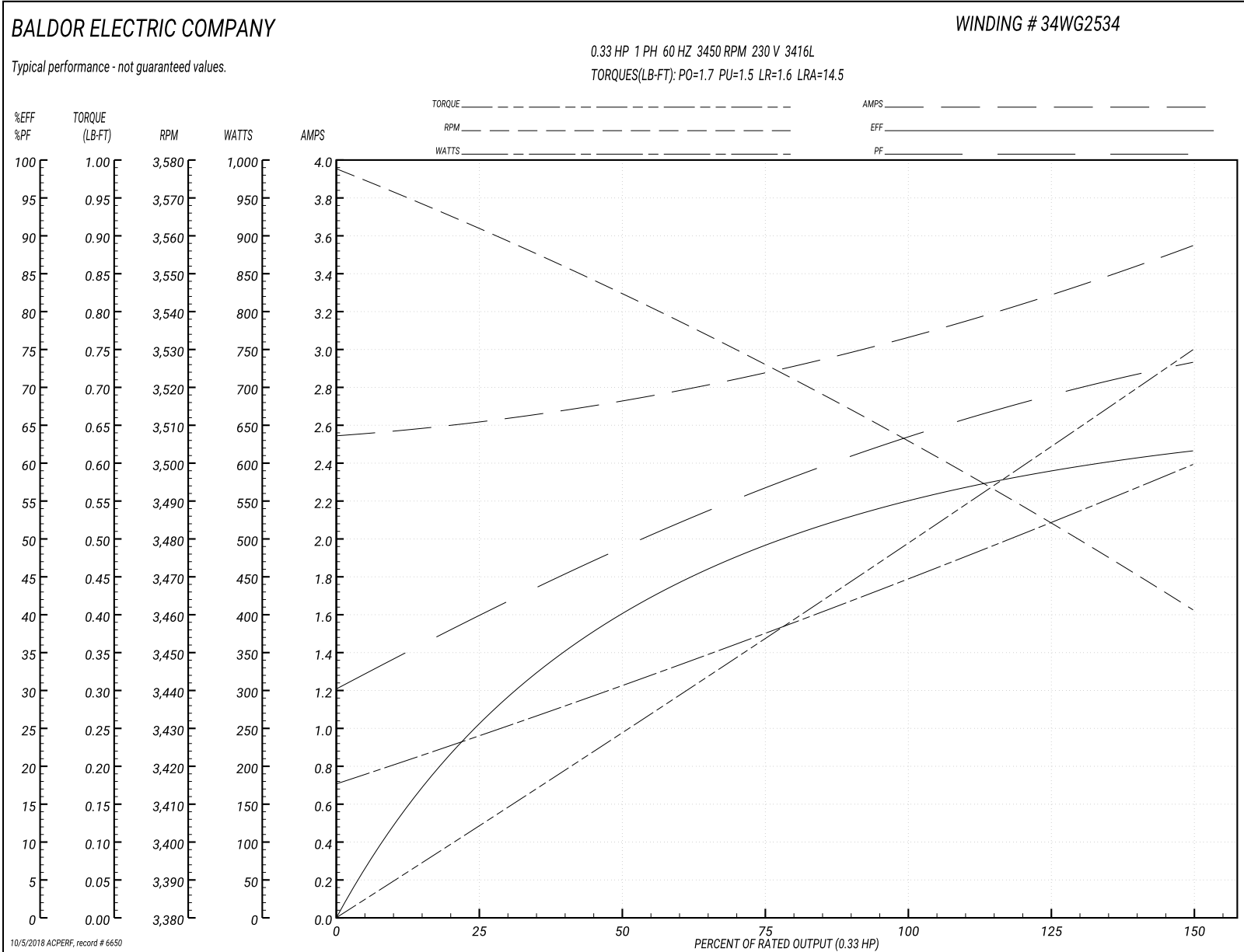
Winding: 34WG2534-R001	Type: 3416L	Enclosure: OPEN
-------------------------------	--------------------	------------------------

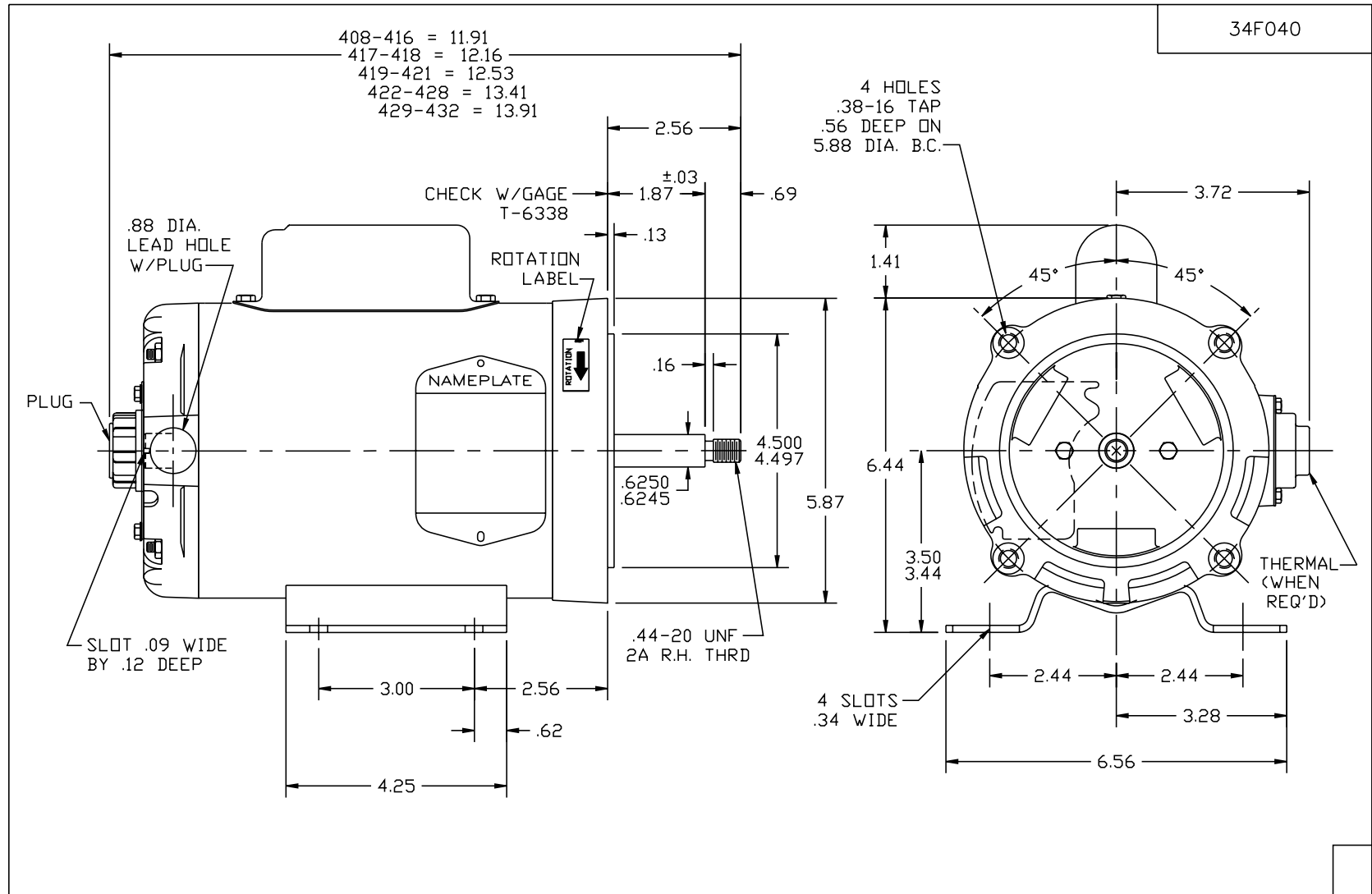
Nameplate Data				230 V, 60 Hz: High Voltage Connection	
Rated Output (HP)	.33			Full Load Torque	0.5 LB-FT
Volts	115/230			Start Configuration	direct on line
Full Load Amps	6.2/3.1			Breakdown Torque	1.7 LB-FT
R.P.M.	3450			Pull-up Torque	1.5 LB-FT
Hz	60	Phase	1	Locked-rotor Torque	1.6 LB-FT
NEMA Design Code	N	KVA Code	L	Starting Current	14.5 A
Service Factor (S.F.)	1.75			No-load Current	2.55 A
NEMA Nom. Eff.	58	Power Factor	61	Line-line Res. @ 25°C	4.92 Ω A Ph 3.95 Ω B Ph
Rating - Duty	40C AMB-CONT			Temp. Rise @ Rated Load	31°C
S.F. Amps	7.6/3.8			Temp. Rise @ S.F. Load	43°C

Load Characteristics 230 V, 60 Hz, 0.33 HP

% of Rated Load	25	50	75	100	125	150	S.F.
Power Factor	39	48	56	63	69	73	81
Efficiency	26	40.6	49.5	55.3	59.1	61.6	66.7
Speed	3561	3544	3525	3505	3484	3461	3442
Line amperes	2.6	2.75	2.9	3.05	3.3	3.55	3.8

Performance Graph at 230V, 60Hz, 0.33HP Typical performance - Not guaranteed values



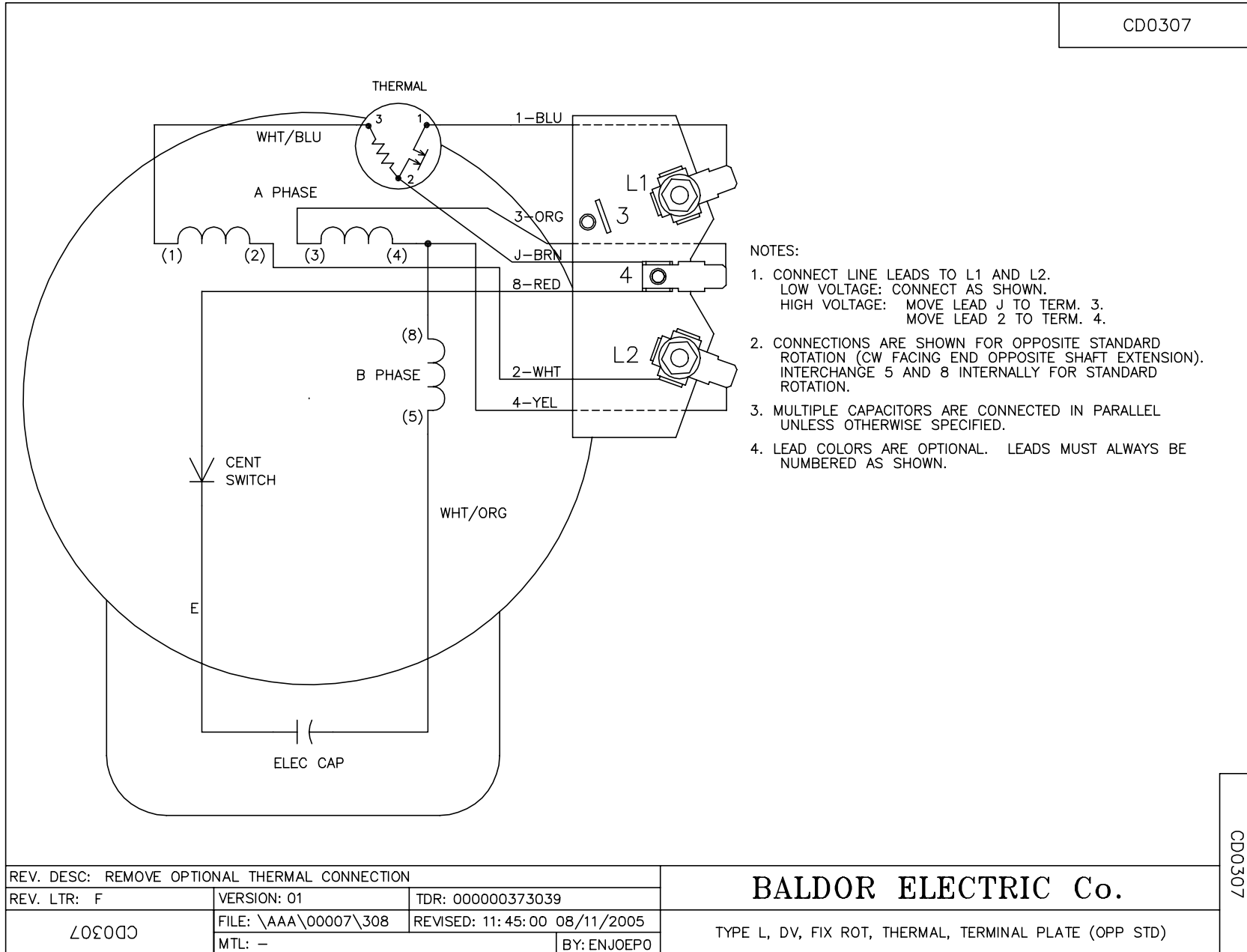


34F040

CUST. NAME		CUST. P.O.		CERTIFIED BY		MODEL		INSUL		AMB	
H.P.		MTG		TYPE		R.P.M.		VOLTS		ENCL	
PHASE		FREQ		FRAME		REMARKS:					
REV:	C	MOVED TO ACAD									
34F040		RER: 34F009	BY: MW	REVISED: 01/09/96		BALDOR ELECTRIC Co. STD HORZ MODEL 34L NEMA 56J OPEN W/TERM PANEL					
		FILE: AAA00026550	TDR: 0086069								

34F040

CD0307



CD0307

REV. DESC: REMOVE OPTIONAL THERMAL CONNECTION		
REV. LTR: F	VERSION: 01	TDR: 000000373039
CD0307	FILE: \AAA\00007\308	REVISED: 11: 45: 00 08/11/2005
	MTL: -	BY: ENJOEPO

BALDOR ELECTRIC Co.

TYPE L, DV, FIX ROT, THERMAL, TERMINAL PLATE (OPP STD)