

**BALDOR® • RELIANCE** 

**Product Information Packet**

**CJL1301A**

**.33HP, 1725RPM, 1PH, 60HZ, 56J, 3414L, OPEN, F1**

Part Detail							
Revision:	X	Status:	PRD/A	Change #:		Proprietary:	No
Type:	AC	Elec. Spec:	34WG5599	CD Diagram:	CD0307	Mfg Plant:	
Mech. Spec:	34F492	Layout:	34LYF492	Poles:	04	Created Date:	
Base:	RG	Eff. Date:	08-27-2018	Leads:	6#18		Y

Specs			
Catalog Number:	CJL1301A	Insulation Class:	B
Enclosure:	OPEN	Inverter Code:	Not Inverter
Frame:	56J	KVA Code:	L
Frame Material:	Steel	Lifting Lugs:	No Lifting Lugs
Output @ Frequency:	.330 HP @ 60 HZ	Locked Bearing Indicator:	Locked Bearing
Synchronous Speed @ Frequency:	1800 RPM @ 60 HZ	Motor Lead Quantity/Wire Size:	6 @ 18 AWG
Voltage @ Frequency:	115.0 V @ 60 HZ	Motor Lead Exit:	Terminal Panel Or Lead Hole
	230.0 V @ 60 HZ	Motor Lead Termination:	Flying Leads
	208.0 V @ 60 HZ	Motor Type:	3414L
XP Class and Group:	None	Mounting Arrangement:	F1
XP Division:	Not Applicable	Power Factor:	60
Agency Approvals:	CSA	Product Family:	General Purpose
	UR	Pulley End Bearing Type:	Ball
Auxillary Box:	No Auxillary Box	Pulley Face Code:	C-Face
Auxillary Box Lead Termination:	None	Pulley Shaft Indicator:	Ext Thread
Base Indicator:	Rigid	Rodent Screen:	None
Bearing Grease Type:	Polyrex EM (-20F +300F)	RoHS Status:	ROHS COMPLIANT
Blower:	None	Shaft Extension Location:	Pulley End

<b>Current @ Voltage:</b>	6.000 A @ 115.0 V	<b>Shaft Ground Indicator:</b>	No Shaft Grounding
	3.600 A @ 208.0 V	<b>Shaft Rotation:</b>	Fixed Opposite Standard
	3.200 A @ 208.0 V	<b>Shaft Slinger Indicator:</b>	No Slinger
	3.000 A @ 230.0 V	<b>Speed Code:</b>	Single Speed
<b>Design Code:</b>	N	<b>Motor Standards:</b>	NEMA
<b>Drip Cover:</b>	Drip Cover	<b>Starting Method:</b>	Direct on line
<b>Duty Rating:</b>	CONT	<b>Thermal Device - Bearing:</b>	NONE (OLD)
<b>Electrically Isolated Bearing:</b>	Not Electrically Isolated	<b>Thermal Device - Winding:</b>	None
<b>Feedback Device:</b>	NO FEEDBACK	<b>Vibration Sensor Indicator:</b>	No Vibration Sensor
<b>Front Face Code:</b>	Drip Cover Mounting	<b>Winding Thermal 1:</b>	Automatic Thermal Overload
<b>Front Shaft Indicator:</b>	None	<b>Winding Thermal 1 Location:</b>	SB
<b>Heater Indicator:</b>	No Heater	<b>Winding Thermal 2:</b>	None

<b>Nameplate NP1257L</b>	
<b>CAT.NO.</b>	CJL1301A
<b>SPEC.</b>	34F492-5599G1
<b>HP</b>	.33
<b>VOLTS</b>	115/208-230
<b>AMP</b>	6/3.2-3
<b>RPM</b>	1725
<b>FRAME</b>	56J
<b>SER.F.</b>	1.35
<b>NEMA-NOM-EFF</b>	60
<b>RATING</b>	40C AMB-CONT
<b>CC</b>	USABLE AT 208V 3.6
<b>DE</b>	6203
<b>ENCL</b>	OPEN
	SFA 6.8/3.6-3.4

<b>CODE</b>	L	<b>DES</b>	N	<b>CL</b>	B	<b>PH</b>	1
<b>PF</b>	60	<b>HZ</b>	60	<b>ODE</b>	6203	<b>SN</b>	

Parts List		
Part Number	Description	Quantity
SA010316	SA 34F492-5599G1	1.000 EA
RA006707	RA 34F492-5599G1	1.000 EA
TPMRG55BV	THERMAL 1PH 0.75 AUT 105C	1.000 EA
EC1189A02SP	61B2D120189NNBA ELEC CAP, 189-227MFD, 12	1.000 EA
51XW0832A07	8-32 X .44, TAPTITE II, HEX WSHR SLTD SE	3.000 EA
11XT0832G06	8-32 X 3/8 TY 23 TAPPING	1.000 EA
WD4100A01	DP-875 HEYCO PLUG OR 62MP0875 MICRO PLAS	1.000 EA
NS2500A01	INSULATOR, AUTO THER PROT	1.000 EA
51XT0632A06	6-32X3/8 TY23 HXWS SLDSR	2.000 EA
34CB4800SP	CAPACITOR COVER, STAMPED PRIMED	1.000 EA
51XB1016A05	10-16X5/16HX WA SL SR TYB (F/S)	2.000 EA
HW5100A03	WAVY WASHER (W1543-017)	1.000 EA
34EP3401A01SP	PU ENDPLATE, MACH	1.000 EA
34AD2000	BAFFLE PLATE, STAMPED	1.000 EA
60XW0632A06	6-32 X 3/8 TORX HEAD SCREW TAPTITE II	4.000 EA
51XN1032A20	10-32 X 1 1/4 HX WS SL SR	2.000 EA
34FH4500A02P	DRIPCOVER, MODEL 34	1.000 EA
51XW0832A07	8-32 X .44, TAPTITE II, HEX WSHR SLTD SE	2.000 EA
34CB4501SP	TERMINAL BOX LID, STAMPED X (PLATED)	1.000 EA
51XW0832A07	8-32 X .44, TAPTITE II, HEX WSHR SLTD SE	2.000 EA
RM1010A01	35-968-1 VINYL CLS	1.000 EA
34EP3202A02	FR ENDPLATE, MACH	1.000 EA
HA6001A03	THERMAL RETAINER (PLATED)	1.000 EA
NS2500A01	INSULATOR, AUTO THER PROT	1.000 EA

<b>Parts List (continued)</b>		
<b>Part Number</b>	<b>Description</b>	<b>Quantity</b>
MG1000G27	MED CHARCOAL METALLIC GREY 400-0096	0.014 GA
85XU0407S04	4X1/4 U DRIVE PIN STAINLESS	2.000 EA
LB1009N	LABEL,ROTATION DIRECTION (ON ROLLS)	1.000 EA
SP5086A01	34 TERM PANEL SWITCH W/E-BLK & 8-RED	1.000 EA
HA3100A14	THRUBOLT 10-32 X 7.875	4.000 EA
MN416A01	TAG-INSTAL-MAINT no wire (1200/bx) 5/18	1.000 EA
LB1118	LABEL,WARNING (ROLL LABEL)	1.000 EA
LC0307	1PH, DV, FIX, W & W/O THERM, TERM PLATE,	1.000 EA
NP1257L	ALUM UL CSA CC THERMAL REV MTG	1.000 EA
35PA1000	PKG GRP, PRINT PK1008A06	1.000 EA

**AC Induction Motor Performance Data**

Record # 50768 - Typical performance - not guaranteed values

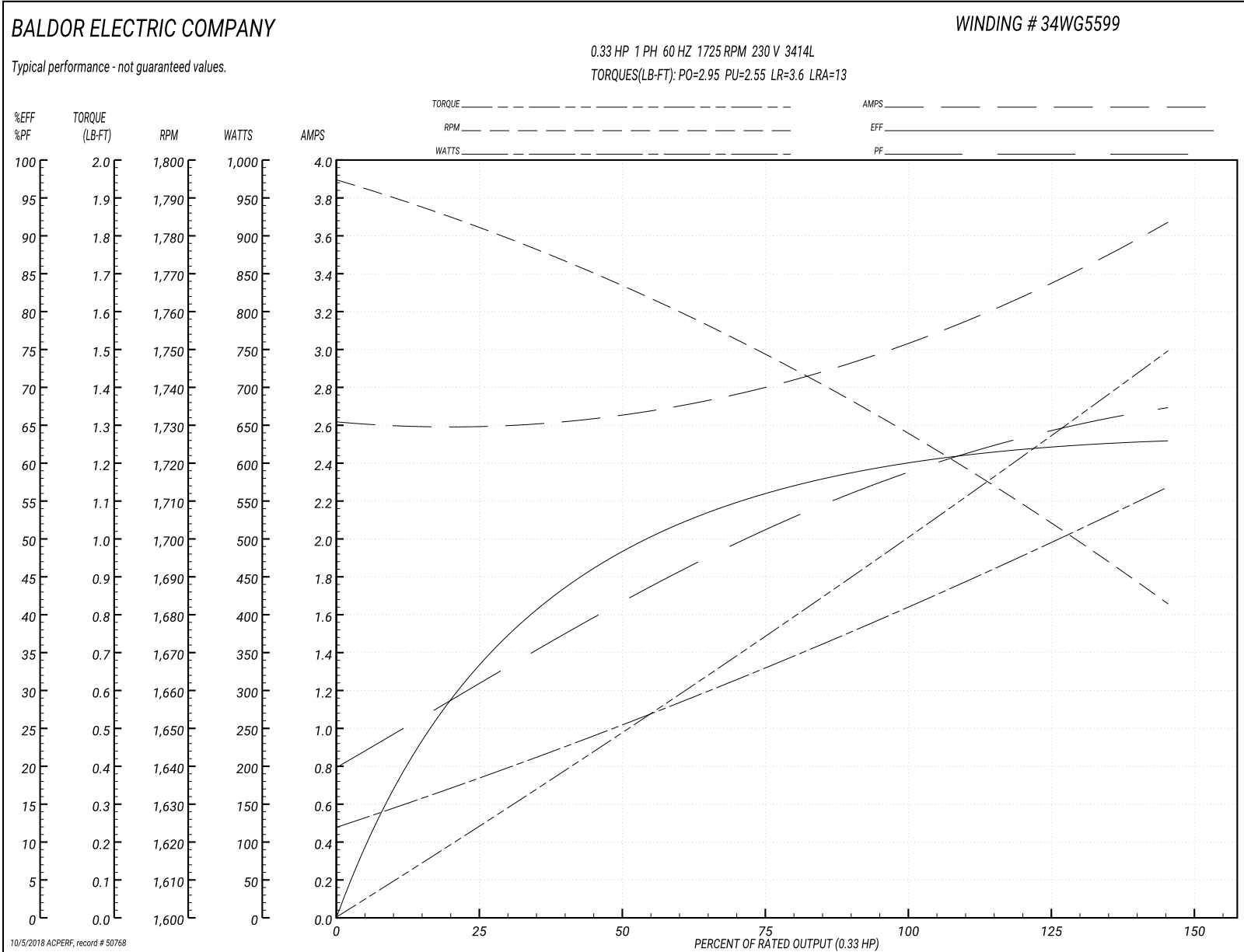
<b>Winding:</b> 34WG5599-R003	<b>Type:</b> 3414L	<b>Enclosure:</b> OPEN
-------------------------------	--------------------	------------------------

Nameplate Data				230 V, 60 Hz: High Voltage Connection	
Rated Output (HP)	.33			Full Load Torque	1 LB-FT
Volts	115/208-230			Start Configuration	direct on line
Full Load Amps	6/3.2-3			Breakdown Torque	2.95 LB-FT
R.P.M.	1725			Pull-up Torque	2.55 LB-FT
Hz	60	Phase	1	Locked-rotor Torque	3.6 LB-FT
NEMA Design Code	N	KVA Code	L	Starting Current	13 A
Service Factor (S.F.)	1.35			No-load Current	2.6 A
NEMA Nom. Eff.	60	Power Factor	60	Line-line Res. @ 25°C	6.32 Ω A Ph 4.93 Ω B Ph
Rating - Duty	40C AMB-CONT			Temp. Rise @ Rated Load	43°C
S.F. Amps	6.8/3.6-3.4			Temp. Rise @ S.F. Load	53°C

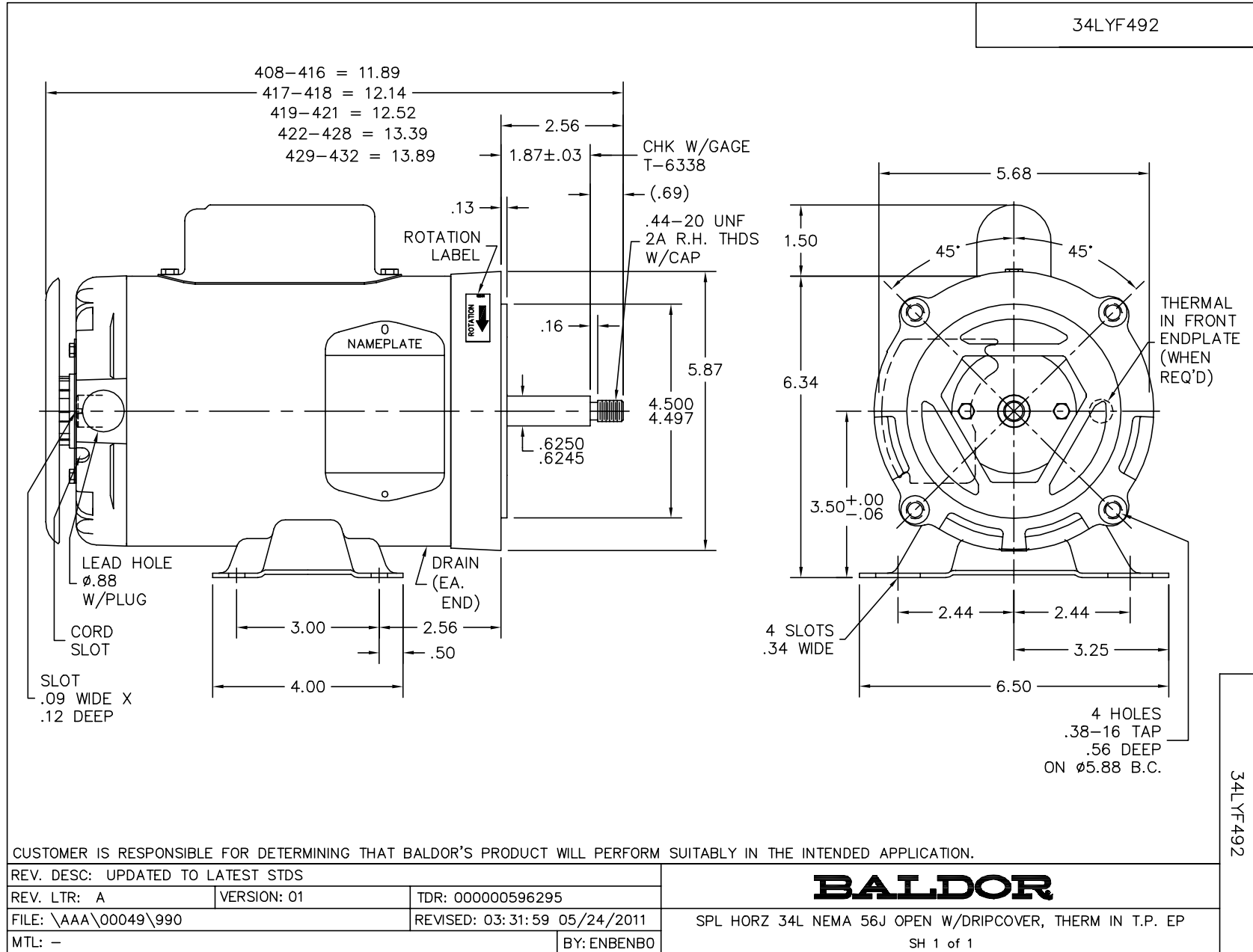
Load Characteristics 230 V, 60 Hz, 0.33 HP

% of Rated Load	25	50	75	100	125	150	S.F.
Power Factor	31	41	51	60	66	72	70
Efficiency	34	49	56	60	62	63	63
Speed	1783	1765	1745	1730	1710	1680	1695
Line amperes	2.6	2.7	2.8	3	3.3	3.7	3.4

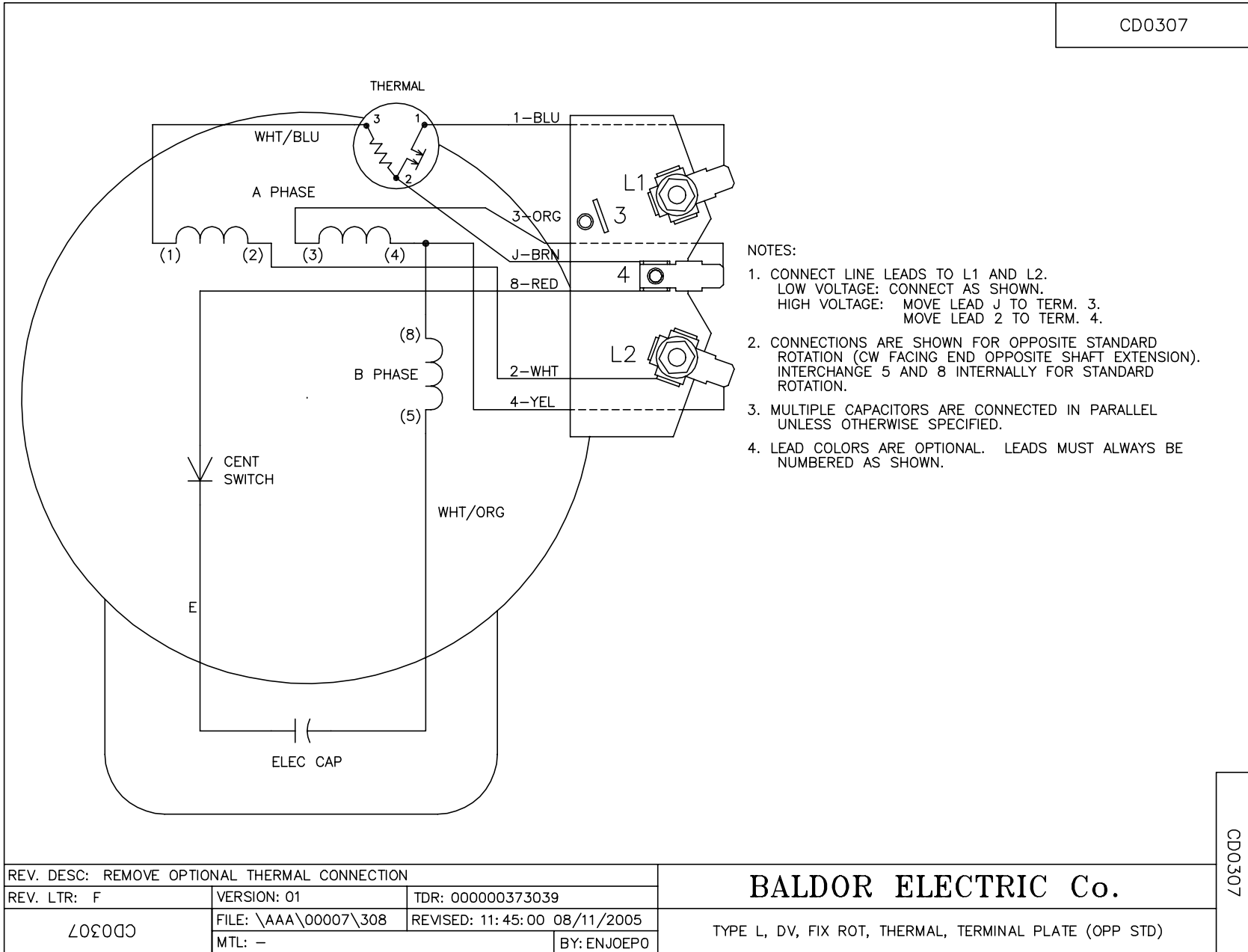
Performance Graph at 230V, 60Hz, 0.33HP Typical performance - Not guaranteed values







CD0307



CD0307

REV. DESC: REMOVE OPTIONAL THERMAL CONNECTION		
REV. LTR: F	VERSION: 01	TDR: 000000373039
CD0307	FILE: \AAA\00007\308	REVISED: 11: 45:00 08/11/2005
	MTL: -	BY: ENJOEPO

**BALDOR ELECTRIC Co.**

TYPE L, DV, FIX ROT, THERMAL, TERMINAL PLATE (OPP STD)