

**BALDOR® • RELIANCE** 

**Product Information Packet**

**CJL1303A**

**.5HP,3450RPM,1PH,60HZ,56J,3420L,OPEN,F1**

Part Detail							
Revision:	AA	Status:	PRD/A	Change #:		Proprietary:	No
Type:	AC	Elec. Spec:	34WG2413	CD Diagram:	CD0307	Mfg Plant:	
Mech. Spec:	34F492	Layout:	34LYF492	Poles:	02	Created Date:	
Base:	RG	Eff. Date:	08-27-2018	Leads:	5#18,1#16 #1TH		

Specs			
Catalog Number:	CJL1303A	Inverter Code:	Not Inverter
Enclosure:	OPEN	KVA Code:	L
Frame:	56J	Lifting Lugs:	No Lifting Lugs
Frame Material:	Steel	Locked Bearing Indicator:	Locked Bearing
Output @ Frequency:	.500 HP @ 60 HZ	Motor Lead Quantity/Wire Size:	5 @ 18 AWG
Synchronous Speed @ Frequency:	3600 RPM @ 60 HZ	Motor Lead Exit:	Terminal Panel Or Lead Hole
Voltage @ Frequency:	115.0 V @ 60 HZ	Motor Lead Termination:	Flying Leads
	230.0 V @ 60 HZ	Motor Type:	3420L
XP Class and Group:	None	Mounting Arrangement:	F1
XP Division:	Not Applicable	Power Factor:	67
Agency Approvals:	UR	Product Family:	General Purpose
	CSA	Pulley End Bearing Type:	Ball
Auxillary Box:	No Auxillary Box	Pulley Face Code:	C-Face
Auxillary Box Lead Termination:	None	Pulley Shaft Indicator:	Ext Thread
Base Indicator:	Rigid	Rodent Screen:	None
Bearing Grease Type:	Polyrex EM (-20F +300F)	RoHS Status:	ROHS COMPLIANT
Blower:	None	Shaft Extension Location:	Pulley End
Current @ Voltage:	3.700 A @ 230.0 V	Shaft Ground Indicator:	No Shaft Grounding

	7.400 A @ 115.0 V	<b>Shaft Rotation:</b>	Fixed Opposite Standard
<b>Design Code:</b>	N	<b>Shaft Slinger Indicator:</b>	No Slinger
<b>Drip Cover:</b>	Drip Cover	<b>Speed Code:</b>	Single Speed
<b>Duty Rating:</b>	CONT	<b>Motor Standards:</b>	NEMA
<b>Electrically Isolated Bearing:</b>	Not Electrically Isolated	<b>Starting Method:</b>	Direct on line
<b>Feedback Device:</b>	NO FEEDBACK	<b>Thermal Device - Bearing:</b>	NONE (OLD)
<b>Front Face Code:</b>	Drip Cover Mounting	<b>Thermal Device - Winding:</b>	None
<b>Front Shaft Indicator:</b>	None	<b>Vibration Sensor Indicator:</b>	No Vibration Sensor
<b>Heater Indicator:</b>	No Heater	<b>Winding Thermal 1:</b>	Automatic Thermal Overload
<b>Insulation Class:</b>	B	<b>Winding Thermal 1 Location:</b>	SB
		<b>Winding Thermal 2:</b>	None

<b>Nameplate NP1257L</b>												
<b>CAT.NO.</b>	CJL1303A											
<b>SPEC.</b>	34F492-2413G1											
<b>HP</b>	.5											
<b>VOLTS</b>	115/230											
<b>AMP</b>	7.4/3.7											
<b>RPM</b>	3450											
<b>FRAME</b>	56J					<b>HZ</b>	60			<b>PH</b>	1	
<b>SER.F.</b>	1.60			<b>CODE</b>	L			<b>DES</b>	N		<b>CL</b>	B
<b>NEMA-NOM-EFF</b>	66			<b>PF</b>	67							
<b>RATING</b>	40C AMB-CONT											
<b>CC</b>										<b>USABLE AT 208V</b>		
<b>DE</b>	6203			<b>ODE</b>	6203							
<b>ENCL</b>	OPEN			<b>SN</b>								
	SFA 9.4/4.7											

Parts List		
Part Number	Description	Quantity
SA010331	SA 34F492-2413G1	1.000 EA
RA006719	RA 34F492-2413G1	1.000 EA
TPMRJ30RX	THERMAL 1PH 0.75 AUT 120C	1.000 EA
EC1189A02SP	61B2D120189NNBA ELEC CAP, 189-227MFD, 12	1.000 EA
51XW0832A07	8-32 X .44, TAPTITE II, HEX WSHR SLTD SE	3.000 EA
11XT0832G06	8-32 X 3/8 TY 23 TAPPING	1.000 EA
WD4100A01	DP-875 HEYCO PLUG OR 62MP0875 MICRO PLAS	1.000 EA
NS2500A01	INSULATOR, AUTO THER PROT	1.000 EA
34CB4800SP	CAPACITOR COVER, STAMPED PRIMED	1.000 EA
51XB1016A05	10-16X5/16HX WA SL SR TYB (F/S)	2.000 EA
HW5100A03	WAVY WASHER (W1543-017)	1.000 EA
34EP3401A01SP	PU ENDPLATE, MACH	1.000 EA
34AD2000	BAFFLE PLATE, STAMPED	1.000 EA
60XW0632A06	6-32 X 3/8 TORX HEAD SCREW TAPTITE II	4.000 EA
51XN1032A20	10-32 X 1 1/4 HX WS SL SR	2.000 EA
34FH4500A02P	DRIPCOVER, MODEL 34	1.000 EA
51XW0832A07	8-32 X .44, TAPTITE II, HEX WSHR SLTD SE	2.000 EA
34CB4501SP	TERMINAL BOX LID, STAMPED X (PLATED)	1.000 EA
51XW0832A07	8-32 X .44, TAPTITE II, HEX WSHR SLTD SE	2.000 EA
RM1010A01	35-968-1 VINYL CLS	1.000 EA
WD1000A16	2-520128-2 AMP FLAG TERMINAL(4M/RL)	7.000 EA
34EP3202A02	FR ENDPLATE, MACH	1.000 EA
HA6001A03	THERMAL RETAINER (PLATED)	1.000 EA
NS2500A01	INSULATOR, AUTO THER PROT	1.000 EA

<b>Parts List (continued)</b>		
<b>Part Number</b>	<b>Description</b>	<b>Quantity</b>
51XT0632A06	6-32X3/8 TY23 HXWS SLDSR	2.000 EA
MG1000G27	MED CHARCOAL METALLIC GREY 400-0096	0.014 GA
85XU0407S04	4X1/4 U DRIVE PIN STAINLESS	2.000 EA
LB1009N	LABEL,ROTATION DIRECTION (ON ROLLS)	1.000 EA
SP5086A01	34 TERM PANEL SWITCH W/E-BLK & 8-RED	1.000 EA
HA3100A37	THRUBOLT 10-32 X 8.500	4.000 EA
MN416A01	TAG-INSTAL-MAINT no wire (1200/bx) 5/18	1.000 EA
LB1118	LABEL,WARNING (ROLL LABEL)	1.000 EA
LC0307	1PH, DV, FIX, W & W/O THERM, TERM PLATE,	1.000 EA
NP1257L	ALUM UL CSA CC THERMAL REV MTG	1.000 EA
35PA1000	PKG GRP, PRINT PK1008A06	1.000 EA

**AC Induction Motor Performance Data**

Record # 6647 - Typical performance - not guaranteed values

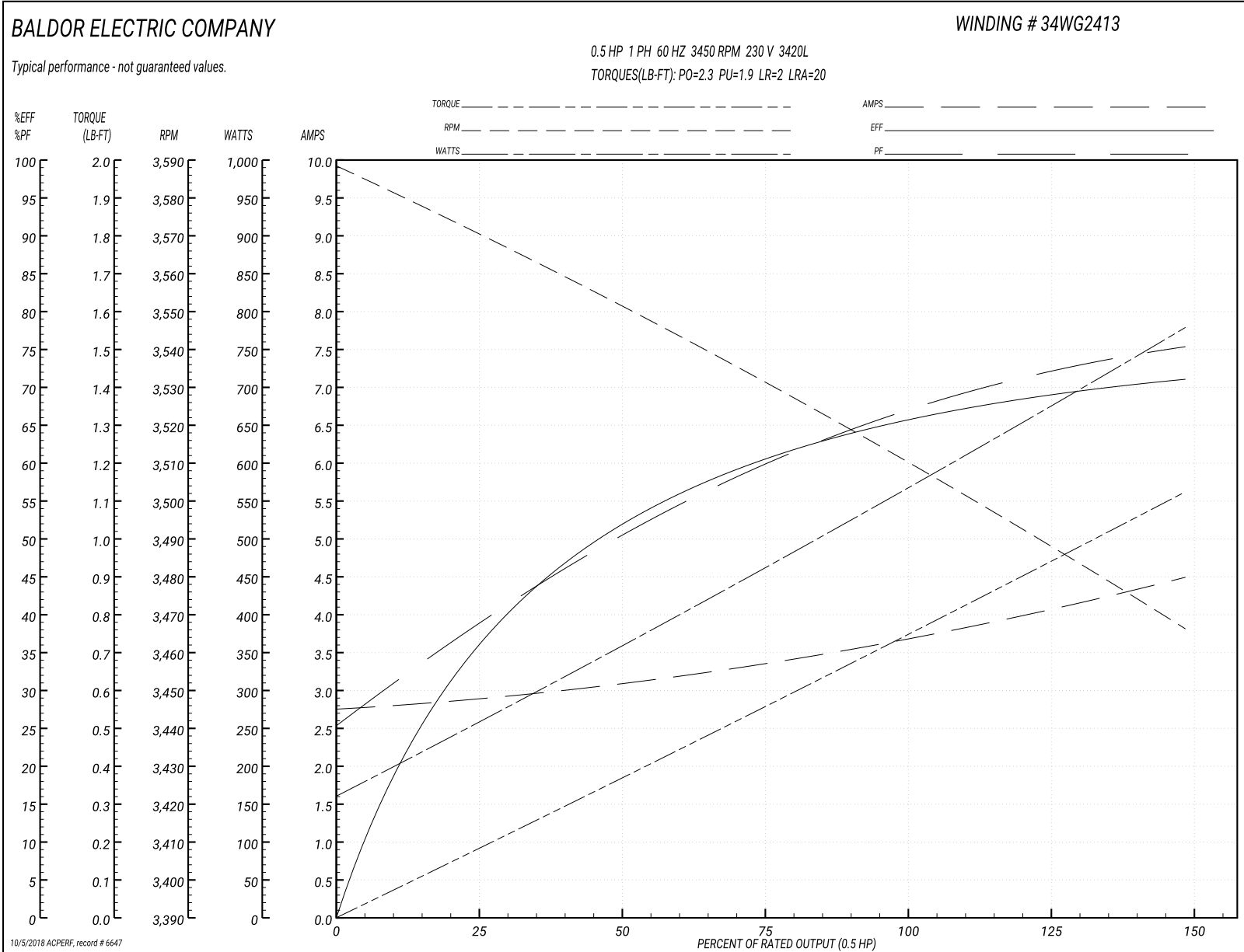
<b>Winding:</b> 34WG2413-R001	<b>Type:</b> 3420L	<b>Enclosure:</b> OPEN
-------------------------------	--------------------	------------------------

Nameplate Data				230 V, 60 Hz: High Voltage Connection	
Rated Output (HP)	.5			Full Load Torque	0.75 LB-FT
Volts	115/230			Start Configuration	direct on line
Full Load Amps	7.4/3.7			Breakdown Torque	2.3 LB-FT
R.P.M.	3450			Pull-up Torque	1.9 LB-FT
Hz	60	Phase	1	Locked-rotor Torque	2 LB-FT
NEMA Design Code	N	KVA Code	L	Starting Current	20 A
Service Factor (S.F.)	1.6			No-load Current	2.75 A
NEMA Nom. Eff.	66	Power Factor	67	Line-line Res. @ 25°C	3.55 Ω A Ph 2.56 Ω B Ph
Rating - Duty	40C AMB-CONT			Temp. Rise @ Rated Load	33°C
S.F. Amps	9.4/4.7			Temp. Rise @ S.F. Load	53°C

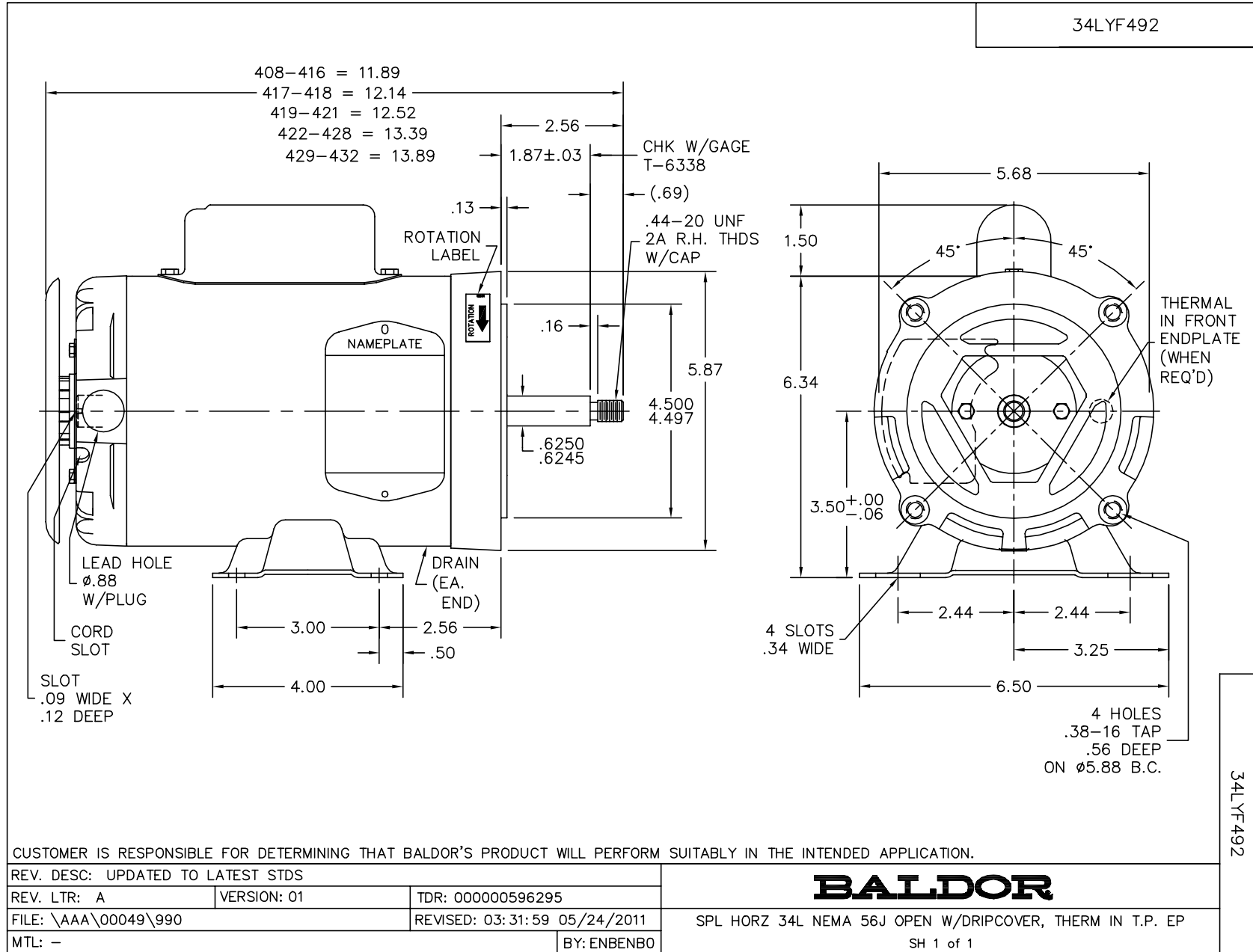
Load Characteristics 230 V, 60 Hz, 0.5 HP

% of Rated Load	25	50	75	100	125	150	S.F.
Power Factor	38	50	60	67	73	77	78
Efficiency	36	52	61	66	69	71	71
Speed	3570	3550	3530	3511	3490	3465	3460
Line amperes	2.9	3.1	3.35	3.7	4.05	4.5	4.7

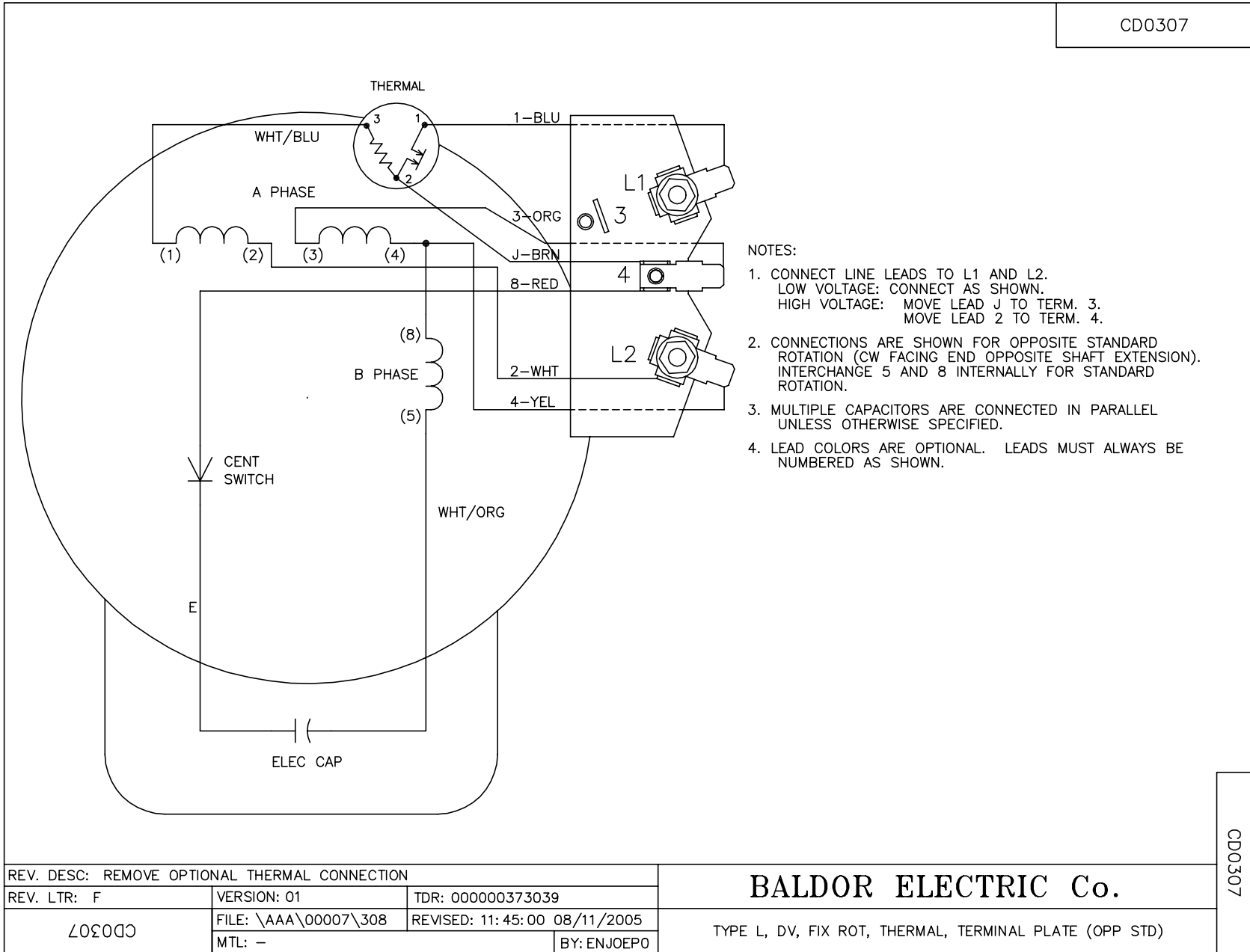
Performance Graph at 230V, 60Hz, 0.5HP Typical performance - Not guaranteed values







CD0307



CD0307

REV. DESC: REMOVE OPTIONAL THERMAL CONNECTION		
REV. LTR: F	VERSION: 01	TDR: 000000373039
CD0307	FILE: \AAA\00007\308	REVISED: 11: 45: 00 08/11/2005
	MTL: -	BY: ENJOEPO

**BALDOR ELECTRIC Co.**

TYPE L, DV, FIX ROT, THERMAL, TERMINAL PLATE (OPP STD)