

**BALDOR® • RELIANCE** 

**Product Information Packet**

**CL3514**

**1.5HP, 1725RPM, 1PH, 60HZ, 56C, 3532LC, TEFC, F**

Part Detail							
Revision:	F	Status:	PRD/A	Change #:		Proprietary:	No
Type:	AC	Elec. Spec:	35WGN568	CD Diagram:	CD0055	Mfg Plant:	
Mech. Spec:	35E024	Layout:	35LYE024	Poles:	04	Created Date:	08-30-2012
Base:	RG	Eff. Date:	03-02-2018	Leads:	4#16 A&J,2#18 B PH		

Specs			
Catalog Number:	CL3514	Insulation Class:	F
Enclosure:	TEFC	Inverter Code:	Not Inverter
Frame:	56C	KVA Code:	J
Frame Material:	Steel	Lifting Lugs:	No Lifting Lugs
Output @ Frequency:	1.500 HP @ 60 HZ	Locked Bearing Indicator:	Locked Bearing
Synchronous Speed @ Frequency:	1800 RPM @ 60 HZ	Motor Lead Quantity/Wire Size:	4 @ 16 AWG, A&J
Voltage @ Frequency:	230.0 V @ 60 HZ	Motor Lead Exit:	Ko Box
	115.0 V @ 60 HZ	Motor Lead Termination:	Flying Leads
XP Class and Group:	None	Motor Type:	3532LC
XP Division:	Not Applicable	Mounting Arrangement:	F1
Agency Approvals:	CSA	Power Factor:	96
	UR	Product Family:	General Purpose
Auxillary Box:	No Auxillary Box	Pulley End Bearing Type:	Ball
Auxillary Box Lead Termination:	None	Pulley Face Code:	C-Face
Base Indicator:	Rigid	Pulley Shaft Indicator:	Standard
Bearing Grease Type:	Polyrex EM (-20F +300F)	Rodent Screen:	None
Blower:	None	Shaft Extension Location:	Pulley End
Current @ Voltage:	12.400 A @ 115.0 V	Shaft Ground Indicator:	No Shaft Grounding

	6.200 A @ 230.0 V	<b>Shaft Rotation:</b>	Reversible
	6.800 A @ 208.0 V	<b>Shaft Slinger Indicator:</b>	No Slinger
<b>Design Code:</b>	L	<b>Speed Code:</b>	Single Speed
<b>Drip Cover:</b>	No Drip Cover	<b>Motor Standards:</b>	NEMA
<b>Duty Rating:</b>	CONT	<b>Starting Method:</b>	Direct on line
<b>Electrically Isolated Bearing:</b>	Not Electrically Isolated	<b>Thermal Device - Bearing:</b>	NONE (OLD)
<b>Feedback Device:</b>	NO FEEDBACK	<b>Thermal Device - Winding:</b>	None
<b>Front Face Code:</b>	Standard	<b>Vibration Sensor Indicator:</b>	No Vibration Sensor
<b>Front Shaft Indicator:</b>	None	<b>Winding Thermal 1:</b>	None
<b>Heater Indicator:</b>	No Heater	<b>Winding Thermal 2:</b>	None

Nameplate NP1256L										
CAT.NO.	CL3514									
SPEC.	35E024N568G1									
HP	1.5									
VOLTS	115/230									
AMP	12.4/6.2									
RPM	1725									
FRAME	56C				HZ	60			PH	1
SER.F.	1.15		CODE	J	DES	L		CLASS	F	
NEMA-NOM-EFF	80		PF	96						
RATING	40C AMB-CONT									
CC								USABLE AT 208V	6.8	
DE	6205				ODE	6203				
ENCL	TEFC		SN							

Parts List		
Part Number	Description	Quantity
SA250420	SA 35E024N568G1	1.000 EA
RA237275	RA 35E024N568G1	1.000 EA
OC3060C09SP	CAPACITOR 60 MFD 240 VAC	1.000 EA
EC1540A04	ELEC CAP, 540-648 MFD, 125V, 1.81D X 4.	1.000 EA
WD3006A01	RSS-2-103JT 2W 10K RES. METAL OXIDE 5%	1.000 EA
NS2512A01	INSULATOR, CONDUIT BOX X	1.000 EA
35CB3007	35 CB CASTING W/.88 DIA. LEAD HOLE	1.000 EA
36GS1000SP	GASKET-CONDUIT BOX, .06 THICK #SV-330 LE	1.000 EA
51XB1016A07	10-16 X 7/16 HXWSSLD SERTYB	2.000 EA
11XW1032G06	10-32 X .38, TAPTITE II, HEX WSHR SLTD U	1.000 EA
35EP3122K00	MASTER ODE,203 BRG,.683SH,#26 DRN,FH MTG	1.000 EA
51XW0832A07	8-32 X .44, TAPTITE II, HEX WSHR SLTD SE	2.000 EA
35CB3801	CAPACITOR COVER, CAST	1.000 EA
34GS3002	GASKET, CAPACITOR BOX	1.000 EA
HA7010	CAPACITOR RETENTION CLAMP	1.000 EA
NS2501A02	INSULATOR, CAPACITOR BOX	1.000 EA
51XB1016A08	10-16X 1/2HXWSSLD SERTYB	2.000 EA
HW5100A03	WAVY WASHER (W1543-017)	1.000 EA
35EP3307F00	MASTER DE,205 BRG,.998SH,#26 DRN	1.000 EA
51XN1032A20	10-32 X 1 1/4 HX WS SL SR	2.000 EA
51XB1214A16	12-14X1.00 HXWSSLD SERTYB	1.000 EA
35FH4005A32SP	IEC FH NO GR SR W/3 HOLES - PRIMED	1.000 EA
51XW1032A06	10-32 X .38, TAPTITE II, HEX WSHR SLTD S	3.000 EA
35CB4521GX	CONDUIT BOX LID KIT **ORDER INDIV PARTS	1.000 EA

Parts List (continued)		
Part Number	Description	Quantity
51XW0832A07	8-32 X .44, TAPTITE II, HEX WSHR SLTD SE	4.000 EA
HW2501D13	KEY, 3/16 SQ X 1.375	1.000 EA
HA7000A04	KEY RETAINER 0.625 DIA SHAFTS	1.000 EA
85XU0407S04	4X1/4 U DRIVE PIN STAINLESS	2.000 EA
WD1000A15	3-520132-2 AMP FLAG (4M/RL NON-CANC/NON-	4.000 EA
MJ1000A02	GREASE, POLYREX EM EXXON (USe 4824-15A)	0.050 LB
35FN3002A05SP	EXFN, PLASTIC, 6.376 OD, .638 ID	1.000 EA
MG1000G27	MED CHARCOAL METALLIC GREY 400-0096	0.017 GA
HA3100A18	THRUBOLT 10-32 X 9.250	4.000 EA
34GS5003	OAM SLEEVE, ID = 2 1/16" X 3 3/8"	2.000 EA
SP5181A01	MODEL 35 LC TORQ STAT SWITCH LEAD ASSY	1.000 EA
LC0001A01	CONN LABEL / WARNING LABEL (LC0001 / LB1	1.000 EA
MN416A01	TAG-INSTAL-MAINT no wire (1200/bx) 5/18	1.000 EA
NP1256L	ALUM UL CSA CC INDUSTRIAL MOTOR A60	1.000 EA
36PA1000	PKG GRP, PRINT PK1016A06	1.000 EA
FE-0000001	ZRTG FE ASSEMBLY	1.000 EA
PE-0000001	ZRTG PE ASSEMBLY	1.000 EA

**AC Induction Motor Performance Data**

Record # 39616 - Typical performance - not guaranteed values

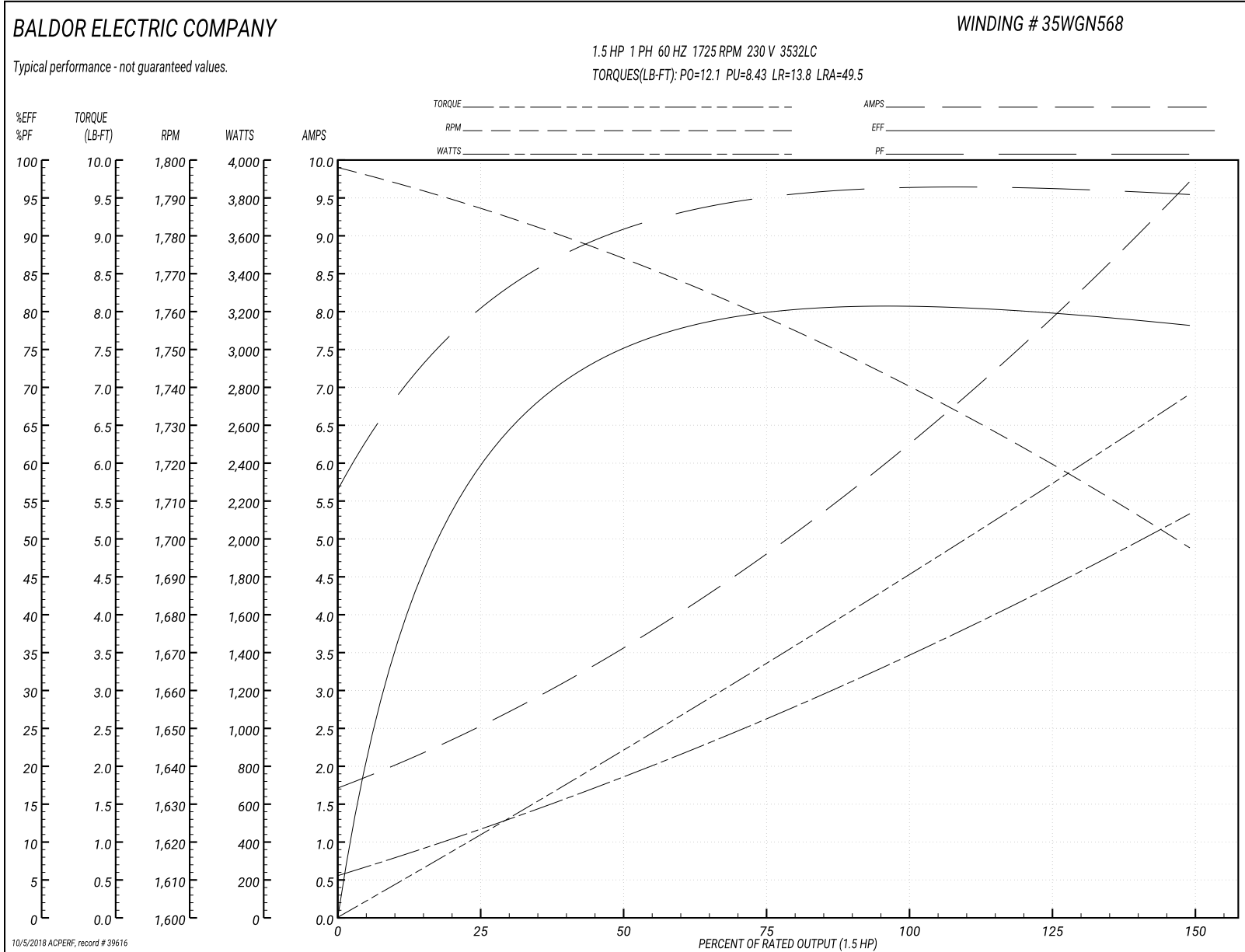
<b>Winding:</b> 35WGN568-R002	<b>Type:</b> 3532LC	<b>Enclosure:</b> TEFC
-------------------------------	---------------------	------------------------

Nameplate Data				230 V, 60 Hz: High Voltage Connection	
Rated Output (HP)	1.5			Full Load Torque	4.48 LB-FT
Volts	115/230			Start Configuration	direct on line
Full Load Amps	12.4/6.2			Breakdown Torque	12.1 LB-FT
R.P.M.	1725			Pull-up Torque	8.43 LB-FT
Hz	60	Phase	1	Locked-rotor Torque	13.8 LB-FT
NEMA Design Code	L	KVA Code	J	Starting Current	49.5 A
Service Factor (S.F.)	1.15			No-load Current	1.76 A
NEMA Nom. Eff.	80	Power Factor	96	Line-line Res. @ 25°C	1.69 Ω A Ph 1.5344 Ω B Ph
Rating - Duty	40C AMB-CONT			Temp. Rise @ Rated Load	69°C
S.F. Amps				Temp. Rise @ S.F. Load	82°C

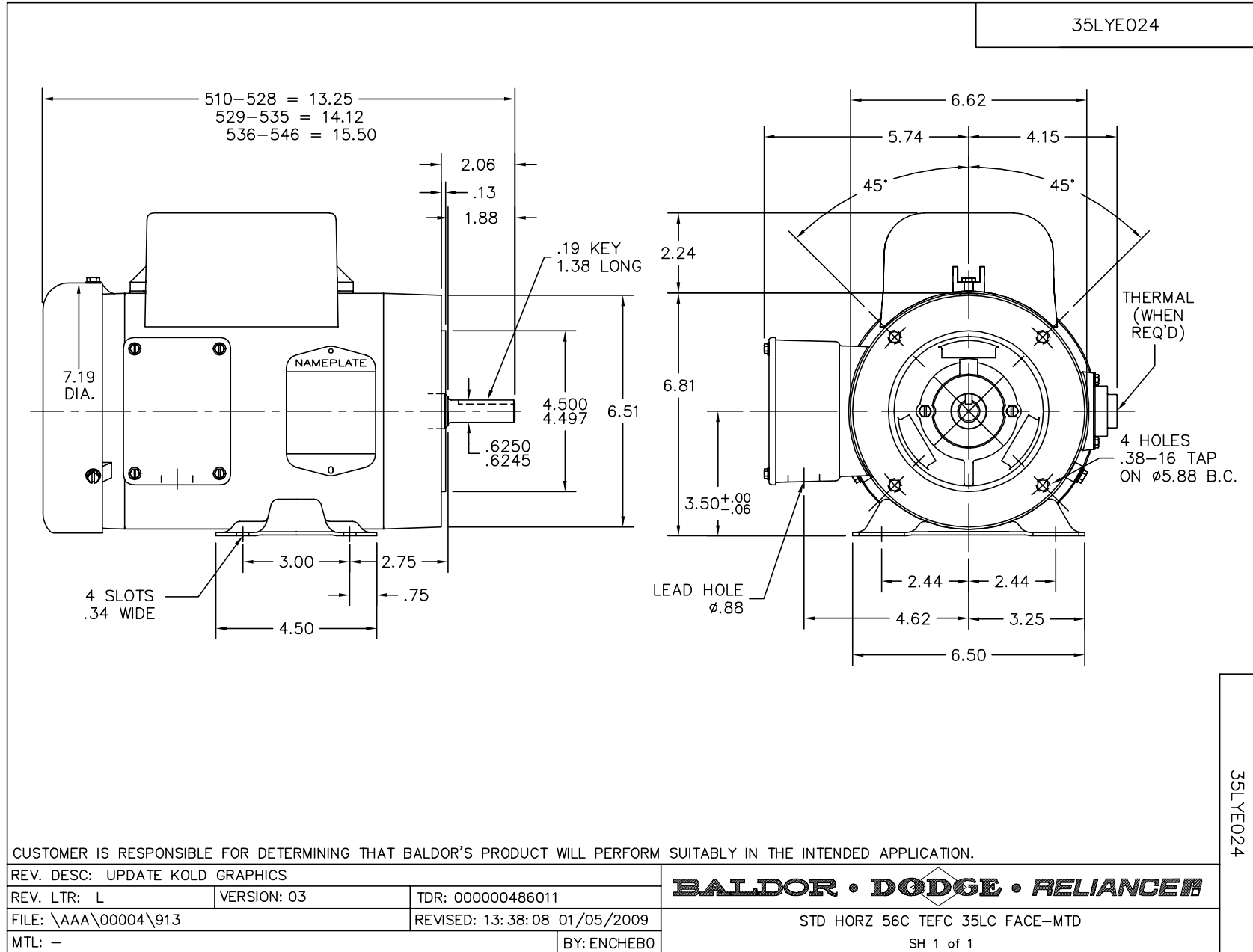
Load Characteristics 230 V, 60 Hz, 1.5 HP

% of Rated Load	25	50	75	100	125	150	S.F.
Power Factor	83	91	95	96	96	96	96
Efficiency	58.3	74.3	79.3	81.2	80.3	77.8	80.7
Speed	1786.8	1773.6	1758.8	1742.3	1721.1	1696.6	1730
Line amperes	2.41	3.53	4.78	6.21	7.86	9.72	7.2

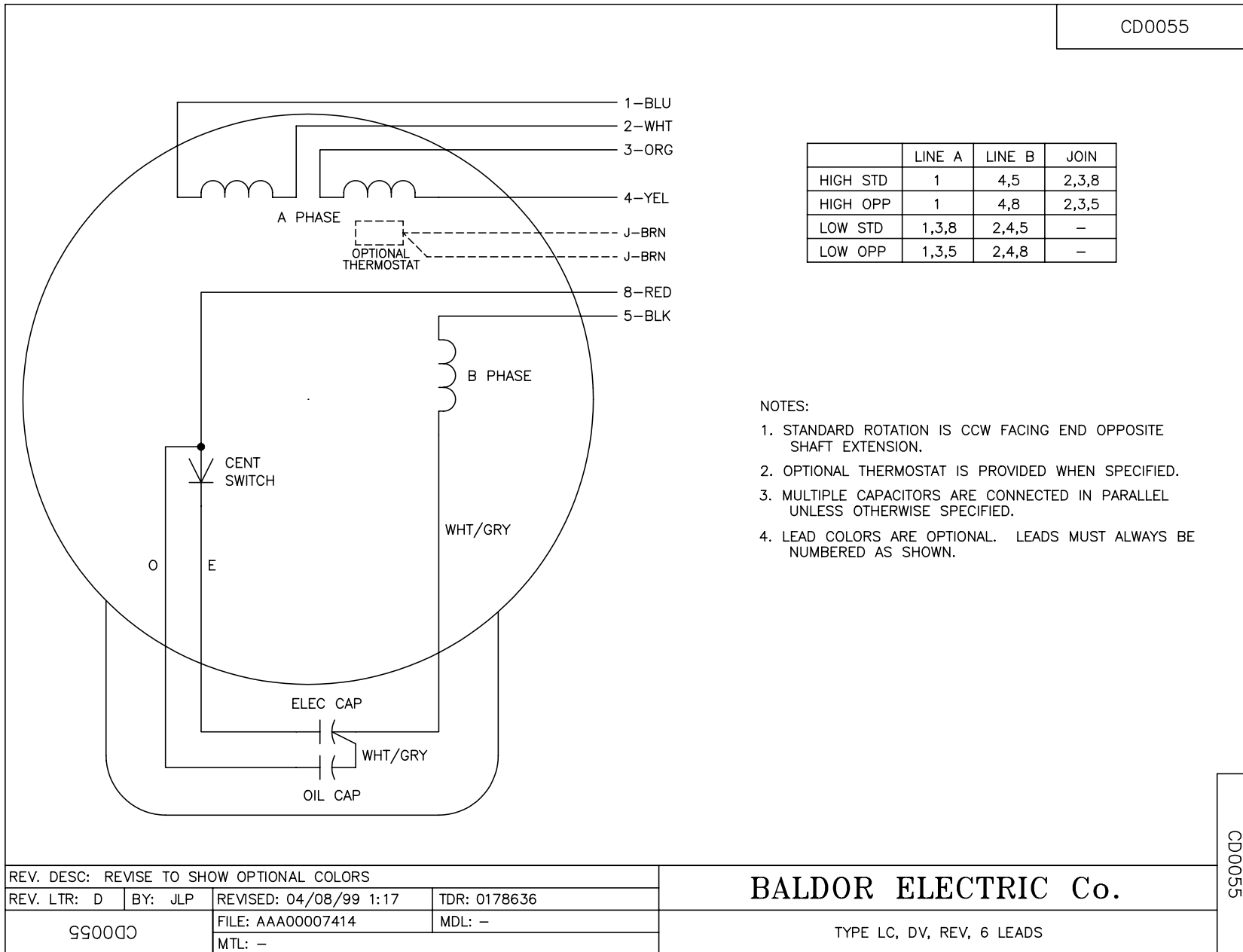
Performance Graph at 230V, 60Hz, 1.5HP Typical performance - Not guaranteed values







CD0055



REV. DESC: REVISE TO SHOW OPTIONAL COLORS			
REV. LTR: D	BY: JLP	REVISED: 04/08/99 1:17	TDR: 0178636
99000		FILE: AAA00007414	MDL: -
		MTL: -	

**BALDOR ELECTRIC Co.**

TYPE LC, DV, REV, 6 LEADS

CD0055