

BALDOR® • RELIANCE 

Product Information Packet

CM2333T-58

15HP, 1460RPM, 3PH, 50HZ, 254TC, 0760M, TEFC, F

Part Detail							
Revision:	E	Status:	PRD/A	Change #:		Proprietary:	No
Type:	AC	Elec. Spec:	07WGY251	CD Diagram:	CD0382	Mfg Plant:	
Mech. Spec:	07K349	Layout:	07LYK349	Poles:	04	Created Date:	05-14-2013
Base:	RG	Eff. Date:	11-29-2017	Leads:	6#12		

Specs			
Catalog Number:	CM2333T-58	Inverter Code:	Not Inverter
Enclosure:	TEFC	KVA Code:	J
Frame:	254TC	Lifting Lugs:	Standard Lifting Lugs
Frame Material:	Iron	Locked Bearing Indicator:	Locked Bearing
Output @ Frequency:	15.000 HP @ 50 HZ	Motor Lead Quantity/Wire Size:	6 @ 12 AWG
Synchronous Speed @ Frequency:	1500 RPM @ 50 HZ	Motor Lead Exit:	Ko Box
Voltage @ Frequency:	380.0 V @ 50 HZ	Motor Lead Termination:	Flying Leads
	415.0 V @ 50 HZ	Motor Type:	0760M
XP Class and Group:	None	Mounting Arrangement:	F1
XP Division:	Not Applicable	Power Factor:	82
Agency Approvals:	UR	Product Family:	General Purpose
	CSA	Pulley End Bearing Type:	Ball
Auxillary Box:	No Auxillary Box	Pulley Face Code:	C-Face
Auxillary Box Lead Termination:	None	Pulley Shaft Indicator:	Standard
Base Indicator:	Rigid	Rodent Screen:	None
Bearing Grease Type:	Polyrex EM (-20F +300F)	RoHS Status:	ROHS COMPLIANT
Blower:	None	Shaft Extension Location:	Pulley End
Current @ Voltage:	22.000 A @ 380.0 V	Shaft Ground Indicator:	No Shaft Grounding

	22.500 A @ 415.0 V	Shaft Rotation:	Reversible
Design Code:	A	Shaft Slinger Indicator:	No Slinger
Drip Cover:	No Drip Cover	Speed Code:	Single Speed
Duty Rating:	CONT	Motor Standards:	NEMA
Electrically Isolated Bearing:	Not Electrically Isolated	Starting Method:	Wye Start - Delta Run
Feedback Device:	NO FEEDBACK	Thermal Device - Bearing:	None
Front Face Code:	Standard	Thermal Device - Winding:	None
Front Shaft Indicator:	None	Vibration Sensor Indicator:	No Vibration Sensor
Heater Indicator:	No Heater	Winding Thermal 1:	None
Insulation Class:	F	Winding Thermal 2:	None

Nameplate NP1256L										
CAT.NO.	CM2333T-58									
SPEC.	07K349Y251G2									
HP	15									
VOLTS	380-415									
AMP	22-22.5									
RPM	1460									
FRAME	254TC				HZ	50			PH	3
SER.F.	1.00			CODE	J	DES	A		CLASS	F
NEMA-NOM-EFF	90.2			PF	82					
RATING	40C AMB-CONT									
CC	USABLE AT 208V									
DE	6309				ODE	6307				
ENCL	TEFC			SN						

Parts List		
Part Number	Description	Quantity
SA263020	SA 07K349Y251G2	1.000 EA
RA249743	RA 07K349Y251G2	1.000 EA
37FN3002A01SP	EXFN, PLASTIC, 9.00 OD, 1.155 ID	1.000 EA
HW3201A01	1/2-13 EYEBOLT	1.000 EA
09CB3002SP	CB W/1.38 LEAD HOLE FOR 37, 39, 307 & 30	1.000 EA
09GS1000SP	GASKET-CONDUIT BOX, 1/16 THICK LEXIDE	1.000 EA
51XW2520A12	.25-20 X .75, TAPTITE II, HEX WSHR SLTD	2.000 EA
59XW2520G07	.25-20X.44,HEX SER WSHR,TAPTITE 2,GREEN	1.000 EA
37EP1101A86	FR TEFC 37M 307 BRG W/GRSR, RELF, .125 D	1.000 EA
HW4500A01	1641B(ALEMITE)400 UNIV, GREASE FITT	1.000 EA
HA4051A00	PLASTIC CAP FOR GREASE FITTING	1.000 EA
HW4500A17	317400 ALEMITE GREASE RELIEF	1.000 EA
HA4054	SHORT T-DRAIN FITTING, .125" N.P.T.	1.000 EA
HW5100A08	W3118-035 WVY WSHR (WB)	1.000 EA
07EP1306A05	PU ENDPLATE FOR CP MOTORS NEMA 254-6TC	1.000 EA
HW4500A01	1641B(ALEMITE)400 UNIV, GREASE FITT	1.000 EA
HA4051A00	PLASTIC CAP FOR GREASE FITTING	1.000 EA
HW4500A17	317400 ALEMITE GREASE RELIEF	1.000 EA
HA4054	SHORT T-DRAIN FITTING, .125" N.P.T.	1.000 EA
10XN2520A36	1/4-20X 2 1/4 HEX HD X	4.000 EA
HW1001A25	LOCKWASHER 1/4, ZINC PLT .493 OD, .255 I	4.000 EA
XY3118A12	5/16-18 HEX NUT DIRECTIONAL SERRATION	4.000 EA
51XB1214A20	12-14X1.25 HXWSSLD SERTYB	1.000 EA
07FH4007SP	PRIMED	1.000 EA

Parts List (continued)		
Part Number	Description	Quantity
51XW1032A06	10-32 X .38, TAPTITE II, HEX WSHR SLTD S	3.000 EA
09CB3501SP	CONDUIT BOX LID FOR 09CB3001 & 09CB3002	1.000 EA
09GS1013SP	09 GS FOR 09CB3501 LID - LEXIDE	1.000 EA
51XW2520A12	.25-20 X .75, TAPTITE II, HEX WSHR SLTD	2.000 EA
HW2501G25	KEY, 3/8 SQ X 2.875	1.000 EA
HA7000A03	KEY RETAINER RING 1.62 & 1.88 DIA. SH	1.000 EA
HW4600B67	V-RING SLINGER 1.770 X 2.170 X .28 VITON	1.000 EA
85XU0407S04	4X1/4 U DRIVE PIN STAINLESS	2.000 EA
MJ1000A02	GREASE, POLYREX EM EXXON (USe 4824-15A)	0.050 LB
HA3104A31	THRUBOLT .31-18 X 15.875	4.000 EA
MG1000G27	MED CHARCOAL METALLIC GREY 400-0096	0.036 GA
LB1115N	LABEL,LIFTING DEVICE (ON ROLLS)	1.000 EA
LB1119N	WARNING LABEL	1.000 EA
LC0382	CONNECTION LABEL	1.000 EA
NP1256L	ALUM UL CSA CC INDUSTRIAL MOTOR A60	1.000 EA
07PA1011	PKG GRP, 07 CAST IRON PK1181	1.000 EA
MN416A01	TAG-INSTAL-MAINT no wire (1200/bx) 5/18	1.000 EA

AC Induction Motor Performance Data

Record # 50297 - Typical performance - not guaranteed values

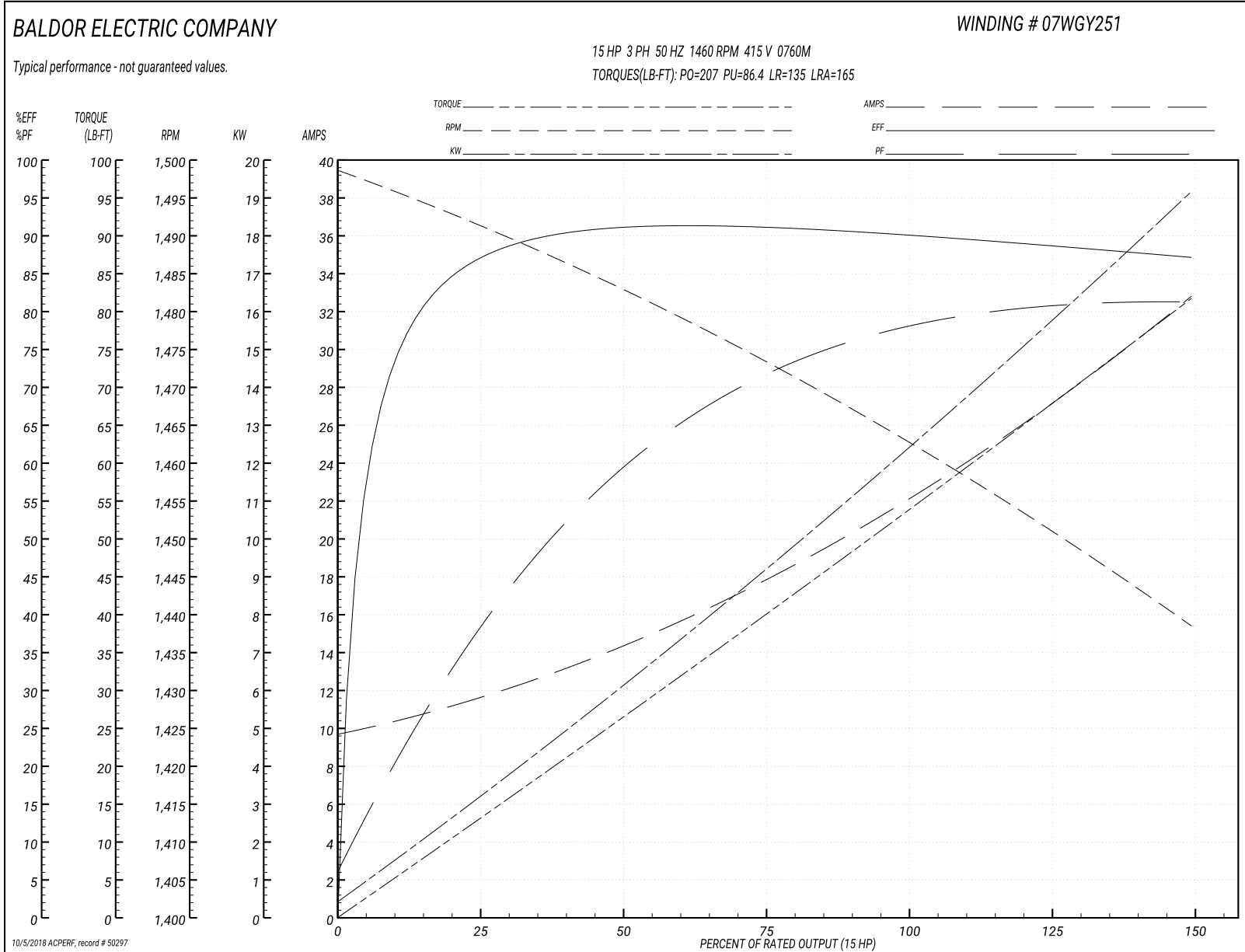
Winding: 07WGY251-R005	Type: 0760M	Enclosure: TEFC
-------------------------------	--------------------	------------------------

Nameplate Data				415 V, 50 Hz: High Voltage Connection	
Rated Output (HP)	15			Full Load Torque	53.7 LB-FT
Volts	380-415			Start Configuration	direct on line
Full Load Amps	22-22.5			Breakdown Torque	207 LB-FT
R.P.M.	1460			Pull-up Torque	86.4 LB-FT
Hz	50	Phase	3	Locked-rotor Torque	135 LB-FT
NEMA Design Code	A	KVA Code	J	Starting Current	165 A
Service Factor (S.F.)	1			No-load Current	9.95 A
NEMA Nom. Eff.	90.2	Power Factor	82	Line-line Res. @ 25°C	0.593 Ω
Rating - Duty	40C AMB-CONT			Temp. Rise @ Rated Load	79°C
				Locked-rotor Power Factor	40.3
				Rotor inertia	1.48 LB-FT ²

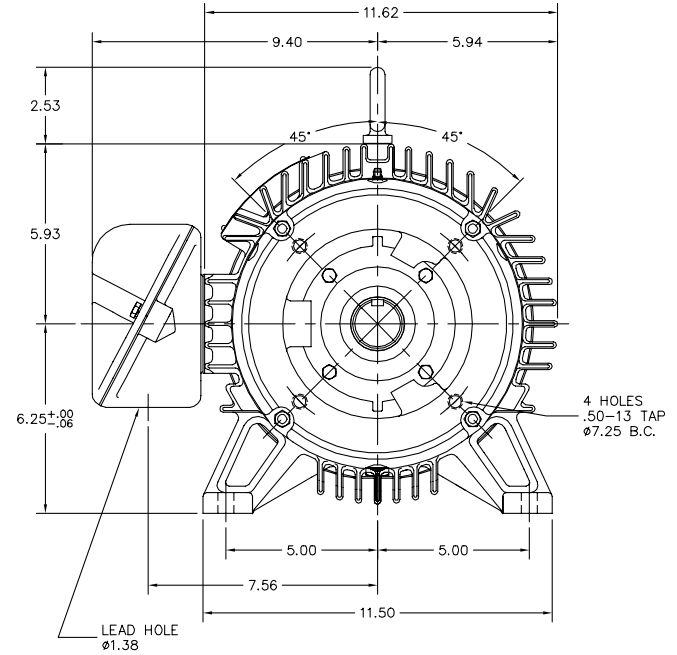
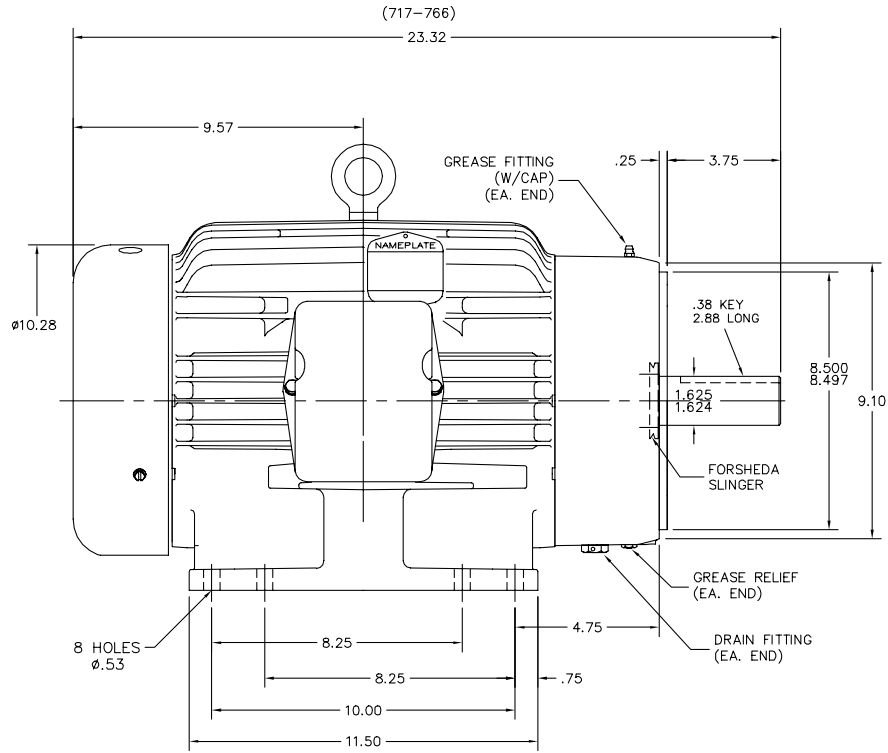
Load Characteristics 415 V, 50 Hz, 15 HP

% of Rated Load	25	50	75	100	125	150
Power Factor	40	60	71	77	80	82
Efficiency	85.7	90.7	91.2	90.2	89.1	87
Speed	1491	1483	1473	1463	1452	1438
Line amperes	11.2	14.3	17.9	22.3	27.1	32.7

Performance Graph at 415V, 50Hz, 15.0HP Typical performance - Not guaranteed values



07LYK349



CUSTOMER IS RESPONSIBLE FOR DETERMINING THAT MOTOR PERFORMANCE IS SUITABLE IN THE APPLICATION.

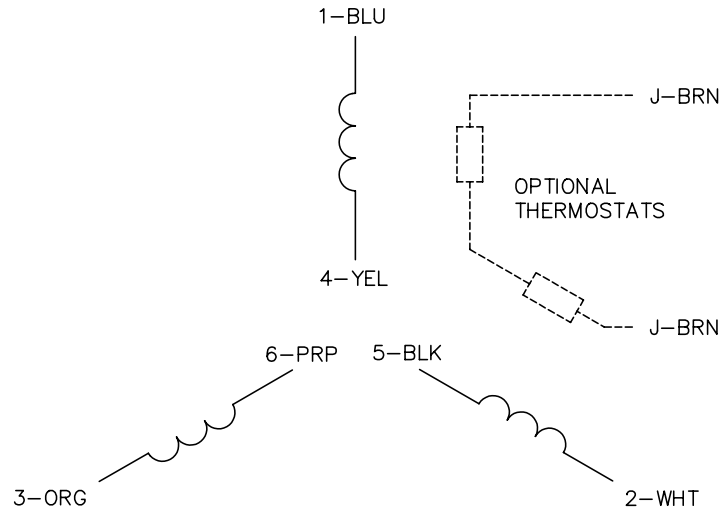
REV. DESC: ADD 2.188 TO DESCR.		
REV. LTR: B	VERSION: 02	TDR: 000000404160
FILE: \AAA\00136\805	REVISED: 09:37:25 08/03/2006	BY: ENSTEKO
MTL: -		

BALDOR ELECTRIC Co.

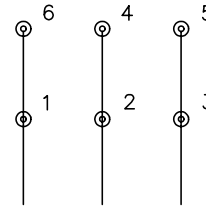
HORZ 254-6TC TEFC M SLINGER,GRS REL,DRAINS(2.188 DIA,ROTOR)

07LYK349

CD0382

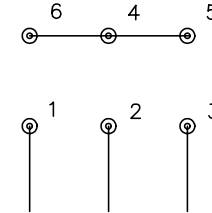


RUN CONNECTION (1D)



LINE

START CONNECTION (1Y)



LINE

NOTES:

1. INTERCHANGE ANY TWO LINE LEADS TO REVERSE ROTATION.
2. OPTIONAL THERMOSTATS ARE PROVIDED WHEN SPECIFIED.
3. ACTUAL NUMBER OF INTERNAL PARALLEL CIRCUITS MAY BE A MULTIPLE OF THOSE SHOWN ABOVE.
4. LEAD COLORS ARE OPTIONAL. LEADS MUST ALWAYS BE NUMBERED AS SHOWN.
5. FOR ACROSS-THE-LINE STARTING, USE 'RUN' CONNECTION.

REV. DESC: ADD NOTE 5 FOR DOL STARTING			
REV. LTR: E	BY: JLP	REVISED: 11/30/00 2:26	TDR: 0226155
CD0382		FILE: AAA00005243	REF: -
		MTL: -	

BALDOR ELECTRIC Co.

3PH, SV, 6 LEADS, Y START/D RUN

CD0382