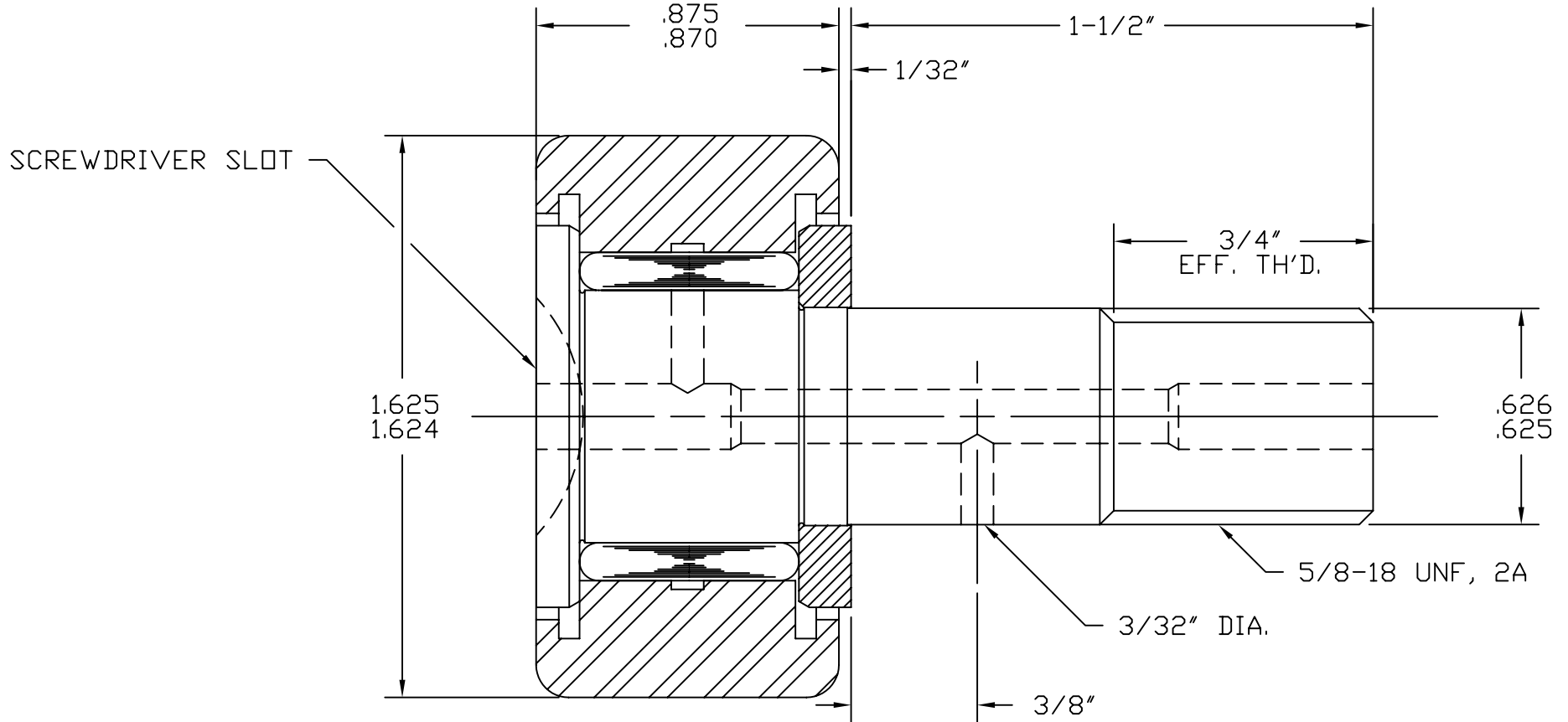


SYM	REVISION	BY	DATE
A	REVISED & REDRAWN	BSK	8/3/95

SCALE: ~



BASIC DYNAMIC CAPACITY - 4450  
MAX. ALLOWABLE LOAD - 3760

MAT'L: ST'D BEARING STEELS.  
BEARING PACKED WITH GENERAL PURPOSE EP GREASE.  
RELUBE PROVISIONS WILL ACCEPT 3/16" DRIVE TYPE  
FITTINGS, PLUGS SUPPLIED FOR UNUSED HOLES.

TOLERANCES

UNLESS OTHERWISE NOTED  
FRACTIONS: ±.010 ANGLES: ±.5  
2 PLACE DECIMALS (.00): ±.005  
3 PLACE DECIMALS (.000): ±.002



**ACCURATE BUSHING CO. INC.**  
Manufacturers of SMITH® Bearing Product  
443 NORTH AVENUE  
Garwood, NJ 07027

PART NAME	STANDARD CAM FOLLOWER		
PART NO.	CR-1-5/8		
DRAWN BY	BSK	DATE	8/3/95
CHECKED BY		FILENAME	\CRASSYS\1-5-8