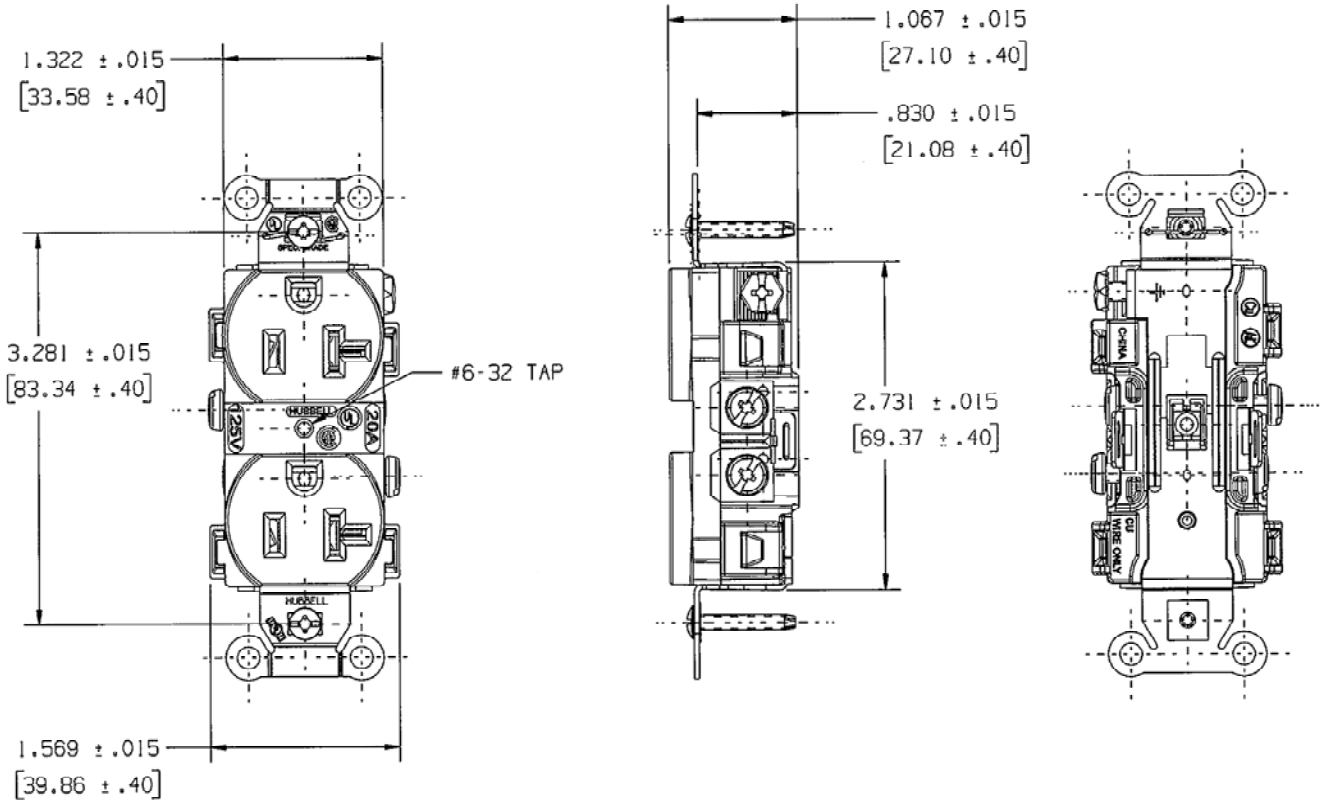


M-10319 3



NOTES:
 1) DIMENSIONS ARE IN INCHES (MM).
 2) ALL DEVICES UL LISTED, CSA AND FED. SPEC. CERTIFIED.
 3) TERMINALS ACCOMMODATE #14-#10 AWG COPPER WIRE ONLY.

CATALOG NUMBERS

	BROWN	IVORY	GRAY	WHITE	BLACK	ALMOND	BLUE	LIGHT ALMOND	RED	ORANGE	OFFICE WHITE
HUBBELL	CR20	CR20I	CR20GRY	CR20WHI	CR20BLK	CR20AL	CR20BL	CR20LA	CR20R	-----	CR200W

LIST OF PARTS		
DESCRIPTION	MATERIAL	FINISH
TOP	NYLON 6/6	SPI A-3
BASE	NYLON 6/6	SPI A-3
LINE CONTACTS	BRASS	
GROUND CONTACTS	BRASS	
CONTACT SCREW (NEU)	STEEL	NI PLT
CONTACT SCREW (HOT)	STEEL	
BRIDGE	.04 GALV STU	
GROUND SCREW	STEEL	GREEN
STAPLE	S.S.	
WASHER	PVC FILM	BLACK
MOUNTING SCREW	STEEL	ZINC PLT

SYM	REVISIONS	APP	DATE
3	ADDED CAT. NOS. CR20BL & CR20R TO TABLE. PER DCN 1920B DDL	DJP	11/16/12
2	ADDED CAT. NOS. CR20AL & CR20LA PER DCN# 13864	WRV	08/02/07
1	RELEASED PER DCN# 13786	WRV	03/27/07

THE DESIGN AND DIMENSIONS OF THE PRODUCT SHOWN ON THIS DRAWING ARE SUBJECT TO CHANGE WITHOUT NOTICE

TITLE HUBBELL
 20A 125V, 2P 3W.
 SMOOTH FACE DUPLEX RECEPT.
 SIDE WIRE

TOLERANCES UNLESS OTHERWISE SPECIFIED

.XX : ± .01	DR. BY WRV	APP. BY
.XXX : ± .005	TR. BY	SCALE 1:1
ANGLES : ± 2'	CHK. BY	DATE 3/07

WIRING DEVICE-KELLEMS
 HUBBELL INCORPORATED
 SHELTON, CT

DIMENSION SHEET FOR CAT. NO. M-10319
 REPAIRABLE NON-REPAIRABLE